



- 10/100 Base-T Ethernet Application
- Impedance: 100OHMS
- Transmit open circuit inductance (OCL): 350uH (MIN) @100KHz,0.1VRMS with 8mA DC Bias
- RJ45 jack cavity conforms to FCC rules and regulations Part 68, SUB Part F
- Standard operating temp: 0°C to +70°C

Electrical Specifications @ 25°C

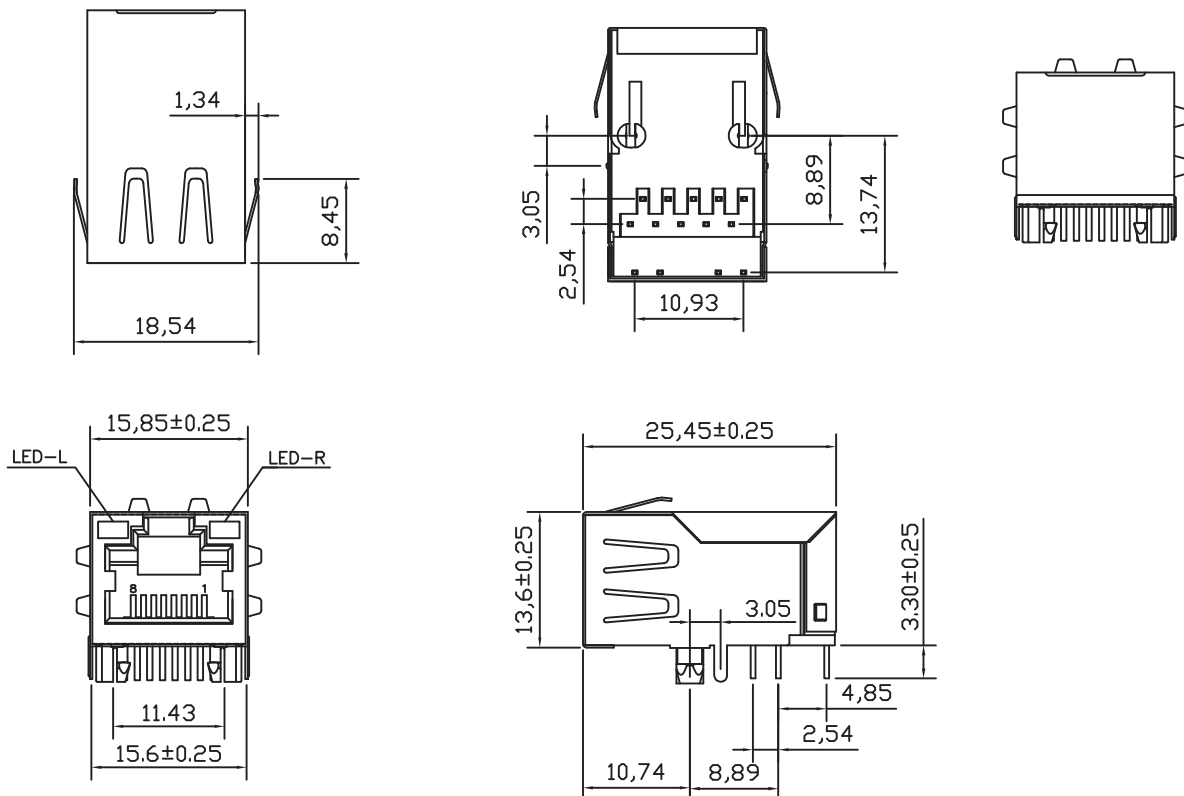
Part Number	OCL(uH Min) @ 100kHz, 0.1V With 8mA DC Bias	Turns Ratio chip: cable (± 3%)	Insertion Loss (dB Max)	Return Loss (dB Min)		
	30MHz		50MHz	80MHz		
AR11-3861	350	1CT:1CT	-1.0	-18	-15	-12

Electrical Specifications @ 25°C

Part Number	Cross Talk (dB Min)			CMR (dB Min)			HI-POT (Vrms) 0.8mA/2Sec.
	30MHz	60MHz	100MHz	30MHz	60MHz	100MHz	
AR11-3861	-38	-38	-38	-40	-40	-40	1500

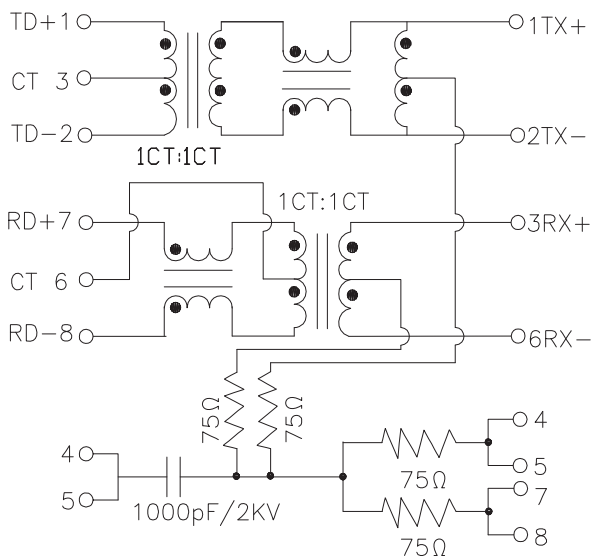
All specifications subject to change without notice.

MECHANICAL





SCHEMATICS

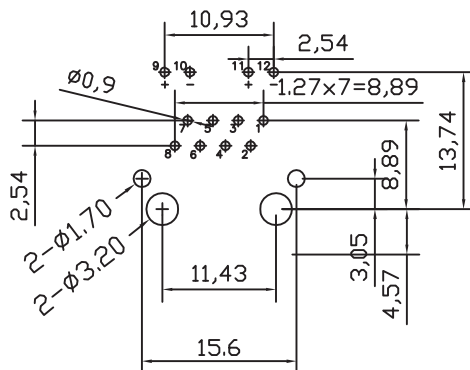


LED Schematic Code:

B
(See chart below)

LED Code				
	Left LED		Right LED	
	+9, -10	-9, +10	+11, -12	-11, +12
A	Green	-	Yellow	-
B	Yellow	-	Green	-
C	Green	-	Green	-
D	Green	-	-	Yellow
E	-	Yellow	-	Green
F	Yellow	-	Orange	Green
G	Orange	Green	Yellow	-
H	Orange	-	-	Yellow
I	Green	-	-	Yellow
W	Green	-	-	Yellow

PCB LAYOUT



NOTES

- Shield- 0.20mm THICKNESS BRASS C2680 H.
PLATING NICKEL 20" min
- Housing- Standard Material Nylon66, Glass filled
Polyester UL94V-0 Standard Color Black.
- RJ Terminal- Plastic: Nylon66 G.F, UL94V-0, Standard Color Black.
Pin: 0.35mm Thickness Phos-Bronze C5210 EH.
Plating: Nickel 40u"-60u", for all and Sn100u-120u, and Gold Plating 6".
- Input Terminal Plastic: Nylon66, G.F, Glass Filled, UL94V-0,
Standard Color Black.
Pin: 0.35mm Thickness Phos-Bronze C2680.
Plating: Nickel 40u"-60u" for all and Sn 100u"-120u"