

Model NO.	LCCE-060■142	Model Name	Constant Current Power Supply
Part NO.	PLCCE0060■142	SIZE	131 * 58 * 39.4 mm 【5.16 * 2.28 * 1.55 inch】



**FEATURES**

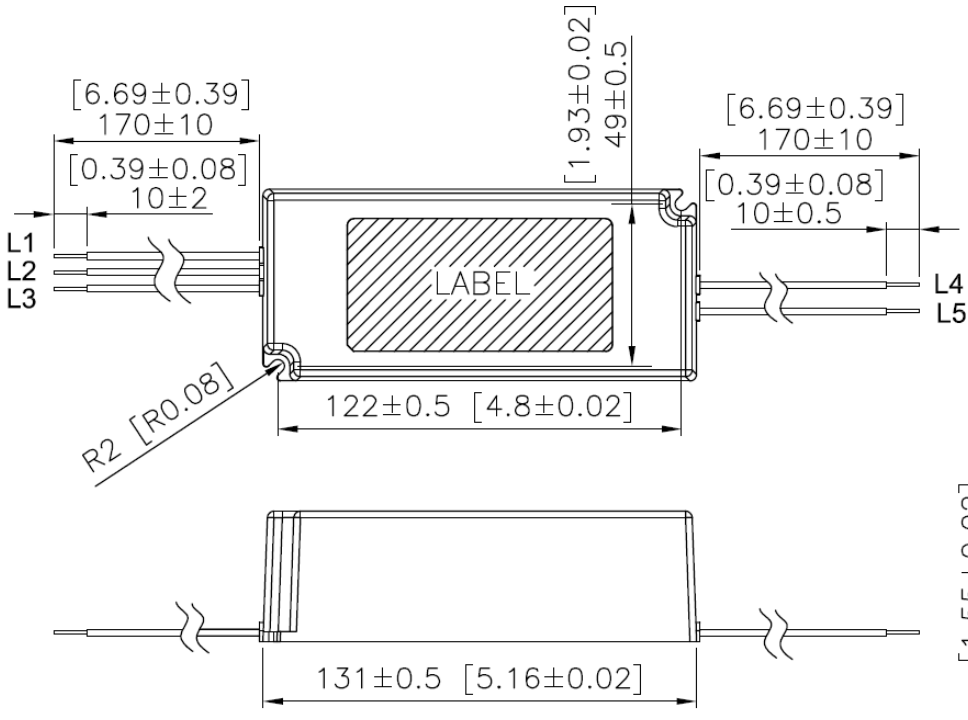
- ◆ AC Input 90~305Vac
- ◆ Protection: SCP / OTP / OVP
- ◆ High Operating ambient Temp: -20°C ~ +60°C
- ◆ Safety: PSE
- ◆ EMC: Meet CE
- ◆ Comply with Indoor/Outdoor Waterproof (IP 67)
- ◆ Dimension (L\*W\*H): 131 \* 58 \* 39.4 mm
- ◆ Dimension (L\*W\*H): 5.16 \* 2.28 \* 1.55 inch
- ◆ ROHS Compliant

Module : LCCE-060■142		*,# =SEE NOTES BELOW		
*(8)	SPECIFICATION	MODEL LCCE-060■142		
		min.	norm.	max.
	DC OUTPUT VOLTAGE (V)		42	
*	PRESET ACCURACY (%) *(7)		5	
*	OUTPUT CURRENT(A) *(5)		1.4	
*	O/P NOISE (P-P, V) *(3)			4
*	LINE REGULATION (%) *(6)		5	
	DC OUTPUT POWER	58.5 W		
	EFFICIENCY(typ @Full Load)	88%		
	TURN ON DELAY TIME	3000ms at full load 115VAC/230VAC		
	INPUT VOLTAGE RANGE	90-305VAC, 127-431VDC, Normal : 100-277VAC		
	INPUT FREQUENCY	Range:47-63Hz, Normal : 50-60Hz		
	INRUSH CURRENT (typ)	COLD START 45A @ 230VAC		
	AC CURRENT	0.8A/100VAC 0.3A/277VAC		
	LEAKAGE CURRENT	<0.7mA/132VAC		
	SHORT CIRCUIT PROTECTION	SCP, OTP, OVP will restart automatically after the fault condition is removed		
	OVER TEMP. PROTECTION			
	OVER V, PROTECTION			
*	OPERATING TEMP.*(4)	-20 to +60°C @full load		
	STORAGE TEMPERATURE	-40 to +80°C		
	RELATIVE HUMIDITY	10 to +95%		
	TEMP. COEFFICIENT	0.03% / °C (0-50°C, typ)		
	SAFETY	PSE		
	EMI	Meet CE EN55015		
	DIMENSIONS(L*W*H)	131 * 58 * 39.4 mm 【5.16 * 2.28 * 1.55 inch】		

NOTES : (1)All parameters not specially mentioned are measured 230VAC input.  
 (2)All specifications Typical @25°C, unless otherwise noted, at normal line and load.  
 (3)Ripple and Noise measured directly at pins/terminals at nom. load, @20MHz bandwidth.  
 (4)Specified for free-air convection cooling.  
 (5)Minimum load is NOT required for proper operation .  
 (6)Line regulation measured from 100VAC to 277VAC.  
 (7)Preset accuracy measured at normal load, 120VAC input.  
 (8)100% Production Tested.

Model NO.	LCCE-060■142	Model Name	Constant Current Power Supply
Part NO.	PLCCE0060■142	SIZE	131 * 58 * 39.4 mm 【5.16 * 2.28 * 1.55 inch】

**Dimensions**



- L1=VSF 0.75mm<sup>2</sup> BLUE
- L2=VSF 0.75mm<sup>2</sup> BLACK
- L3=VSF 0.75mm<sup>2</sup> WHITE
- L4=VSF 0.75mm<sup>2</sup> RED
- L5=VSF 0.75mm<sup>2</sup> BLACK

Unit : mm 【inch】

✳Reference