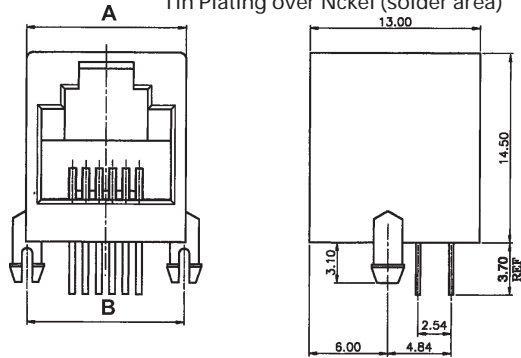


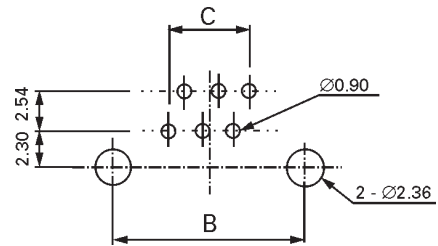
TS**

Materials and Finish

Standard material: Glass filled polyester (UL94V-0)
 Standard color: Black
 Soldering Temp.: 240°C / 5 sec.
 Contact: Thickness 0.35mm Alloy C5210,
 Gold plating over Nickel (contact area)
 Tin Plating over Nickel (solder area)



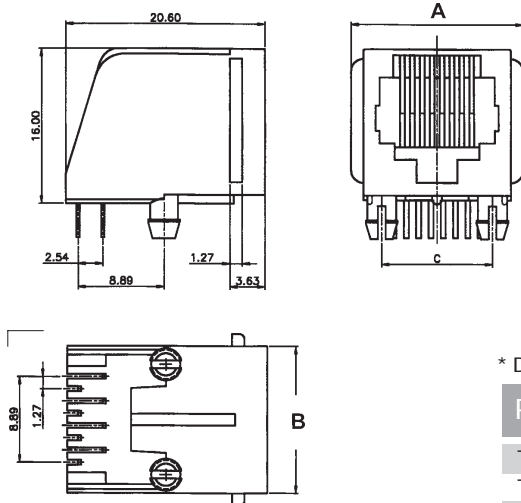
PCB-Layout (Top View)



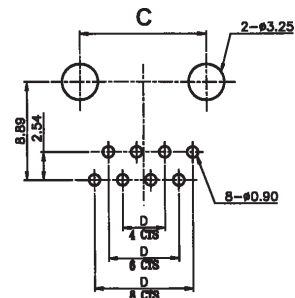
* Depopulation of contacts possible

Part No.	No. of Positions	A	B	C
TS4*	4	10.00	10.00	3.06
TS6*	6	12.20	12.00	5.10
TS8*	8	15.10	15.00	7.14
TS10*	10	15.10	15.00	9.18

TS2K**



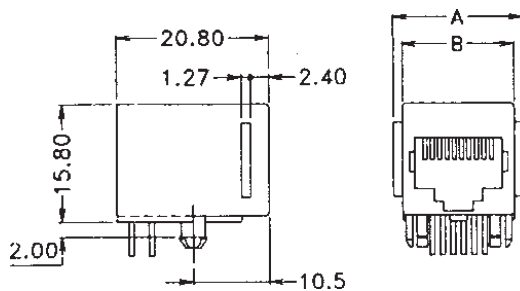
PCB-Layout (Top View)



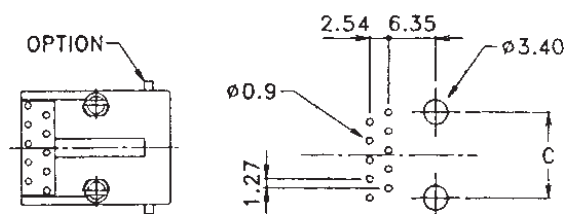
* Depopulation of contacts possible

Part No.	No. of Positions	A	B	C	D
TS2K4*	4	13.72	11.18	7.62	3.81
TS2K6*	6	15.75	13.21	10.16	6.35
TS2K8*	8	17.78	15.24	11.43	8.89

TS2K**-C



PCB-Layout (Top View)



* Depopulation of contacts possible

Part No.	No. of Positions	A	B	C
TS2K4*-C	4	13.72	11.48	7.62
TS2K6*-C	6	15.75	13.21	10.16
TS2K8*-C	8	17.78	15.24	11.43
TS2K10*-C	10	17.78	15.24	11.43

Materials and Finish

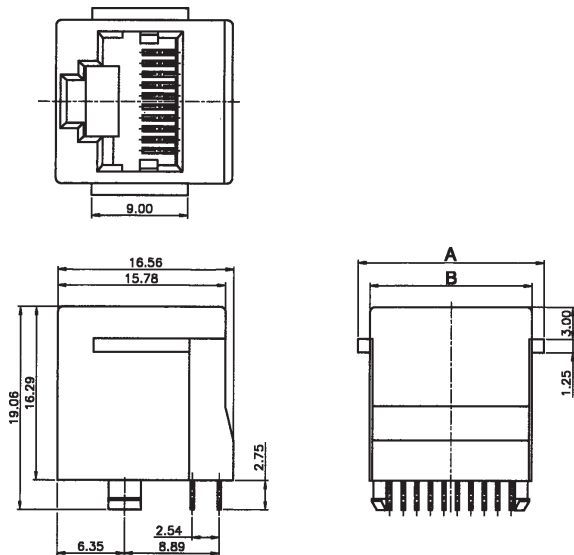
Standard material: Glass filled polyester (UL94V-0)
 Standard color: Black
 Soldering Temp.: 215°C / 5 sec.
 Contact: Thickness 0.35mm Alloy C5210,
 Gold plating over Nickel (contact area)
 Tin Plating over nickel (solder area)

TS3K**

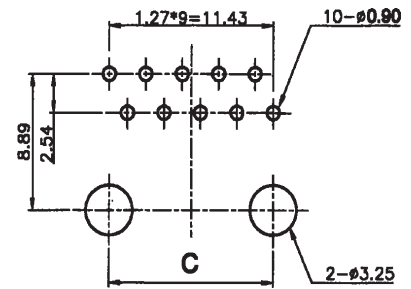


Materials and Finish

Standard material: Glass filled polyester (UL94V-0)
 Standard color: Black
 Soldering Temp.: 240°C / 5 sec.
 Contact: Thickness 0.35mm Alloy C5210,
 Gold plating over Nickel (contact area)
 Tin Plating over Nickel (solder area)



PCB-Layout (Top View)



* Depopulation of contacts possible

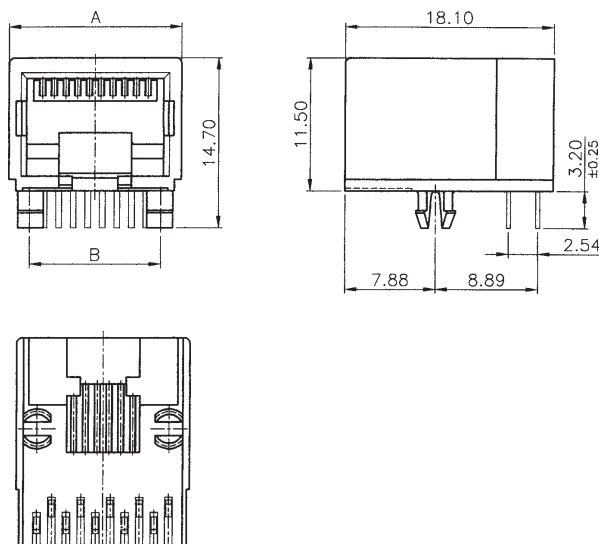
Part No.	No. of Positions	A	B	C
TS3K4*	4	13.97	11.43	7.63
TS3K6*	6	16.00	13.46	10.16
TS3K8*	8	17.50	15.26	11.43
TS3K10*	10	17.50	15.26	11.43

TS6K-A**

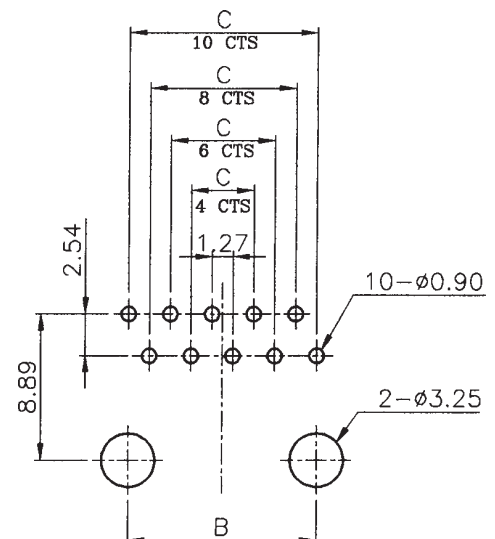


Materials and Finish

Standard material: Glass filled polyester (UL94V-0)
 Standard color: Black
 Soldering Temp.: 240°C / 5 sec.
 Contact: Thickness 0.35mm Alloy C5210,
 Gold plating over Nickel (contact area)
 Tin Plating over Nickel (solder area)



PCB-Layout (Top View)



* Depopulation of contacts possible

Part No.	No. of Positions	A	B	C
TS6K4*-A	4	11.21	7.62	3.81
TS6K6*-A	6	12.96	10.16	6.35
TS6K8*-A	8	15.00	11.43	8.89
TS6K10*-A	10	15.00	11.43	11.43

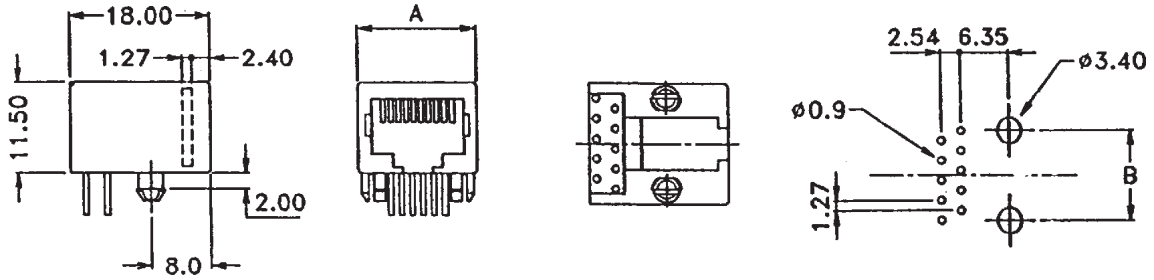
TS6K**-C



Materials and Finish

Standard material: Glass filled polyester (UL94V-0)
 Standard color: Black
 Soldering Temp.: 240°C / 5 sec.c.
 Contact: Thickness 0.35mm Alloy C5210,
 Gold plating over Nickel (contact area)
 Tin plating over Nickel (solder area)

PCB-Layout (Top View)



* Depopulation of contacts possible

Part No.	No. of Positions	A	B
TS6K4*-C	4	11.20	7.62
TS6K6*-C	6	13.20	10.16
TS6K8*-C	8	15.20	11.43
TS6K10*-C	10	15.20	11.43

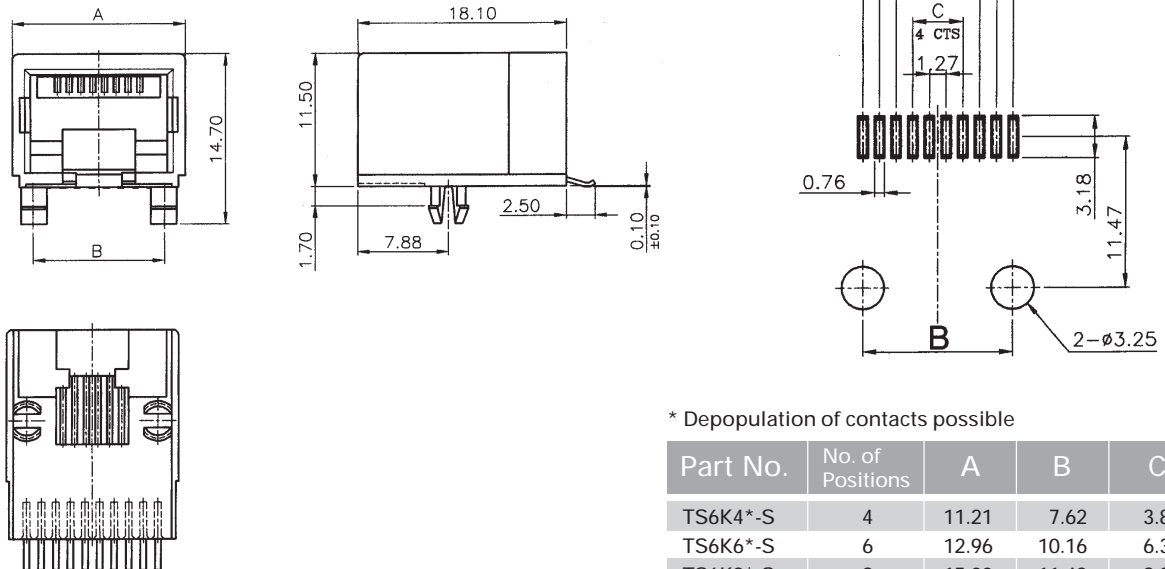
TS6K**-S (SMT with Side Entry)



Materials and Finish

Standard material: Glass filled polyester (UL94V-0)
 Standard color: Black
 Soldering Temp.: 240°C / 5 sec.
 Contact: Thickness 0.35mm Alloy C5210,
 Gold plating over Nickel (contact area)
 Tin plating over Nickel (solder area)

PCB-Layout (Top View)



* Depopulation of contacts possible

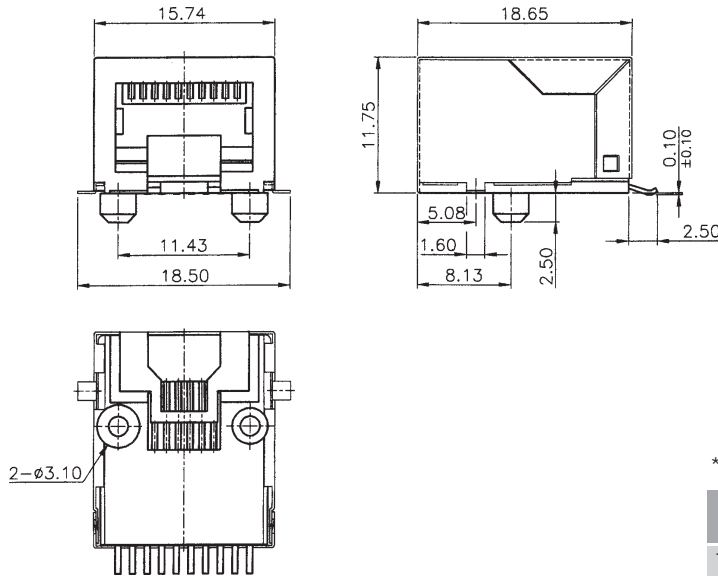
Part No.	No. of Positions	A	B	C
TS6K4*-S	4	11.21	7.62	3.81
TS6K6*-S	6	12.96	10.16	6.35
TS6K8*-S	8	15.00	11.43	8.89
TS6K10*-S	10	15.00	11.43	11.43

TS3004ST-8*1 SMT
TS3004ST-10101 SMT

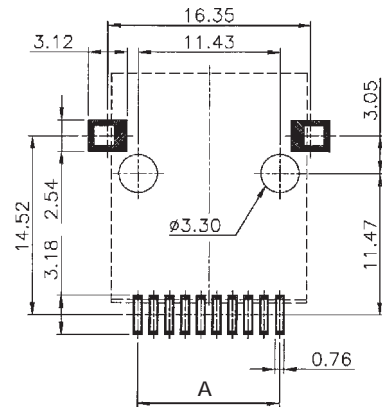


Materials and Finish

Standard material: Glass filled Nylon66 (UL94V-0)
 Standard color: Black
 Soldering Temp.: 220°C / 60 sec., 260°C peak
 Contact: Thickness 0.35mm Alloy C5191,
 6µ" Gold plating over Nickel (mating area)
 Tin plating over Nickel (solder area)



PCB-Layout (Top View)



* Depopulation of contacts possible

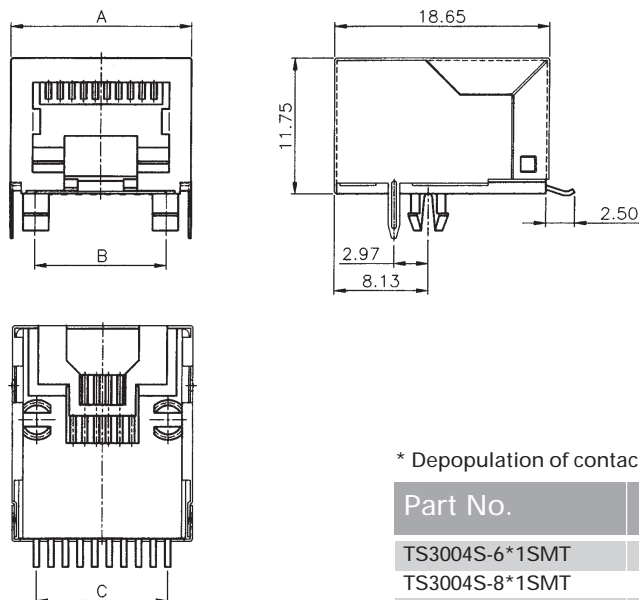
Part No.	No. of Positions	A
TS3004ST-8*1SMT	8	8.89
TS3004ST-10101SMT	10	11.43

TS3004S-1SMT**

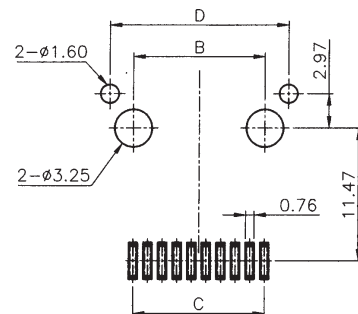


Materials and Finish

Shielding: Copper Alloy (0.2mm, Tin Plated)
 Housing: PA6T C430NK (UL 94V-0), colour black
 Soldering Temp.: 220°C / 60 sec., 260°C peak
 Contact: Thickness 0.35mm Alloy C5210,
 6µ" Gold plating over Nickel (mating area)
 Tin plating over Nickel (solder area)



PCB-Layout (Top View)



* Depopulation of contacts possible

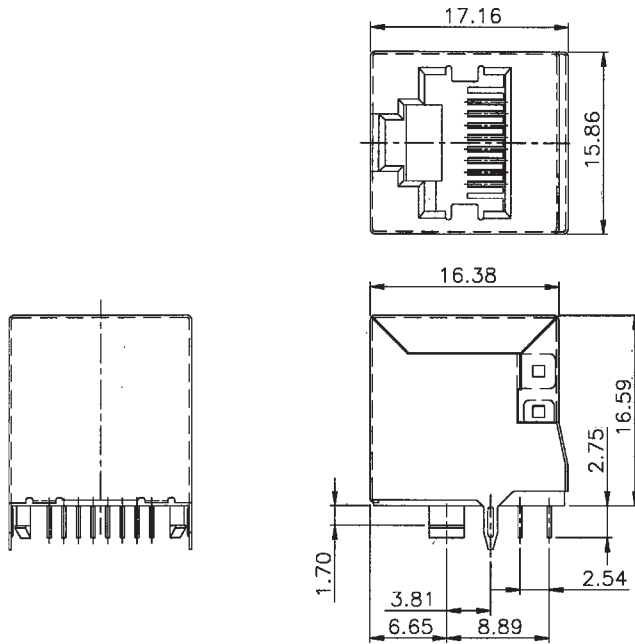
Part No.	No. of Positions	A	B	C	D
TS3004S-6*1SMT	6	13.56	10.16	6.53	13.57
TS3004S-8*1SMT	8	15.74	11.43	8.89	15.54
TS3004S-10*1SMT	10	15.74	11.43	11.43	15.54

Part Number TS3009S-881

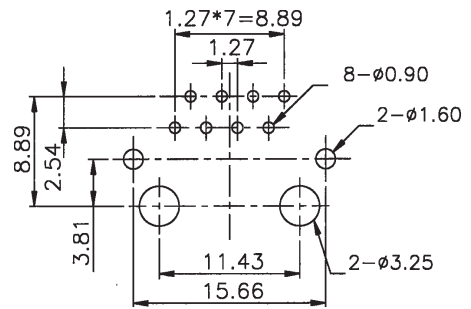


Materials and Finish

Shielding: Brass, Nickel plated
 Housing: Engineering Thermoplastic (UL94V-0)
 Soldering Temp.: 240°C / 5 sec.
 Contact: Gold plating over Nickel (mating area)
 Tin plating over Nickel (solder area)



PCB-Layout (Top View)

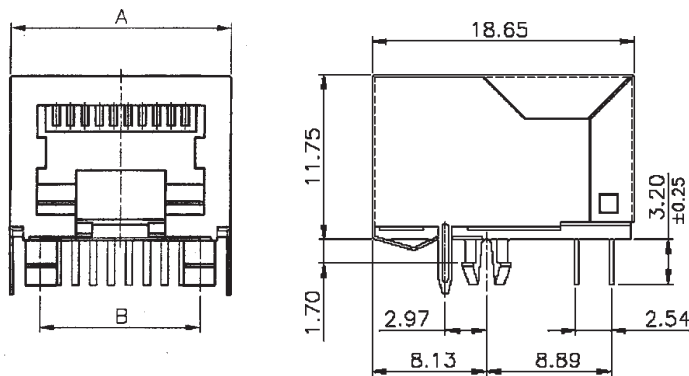


Part Numbers TS3014S-**-1

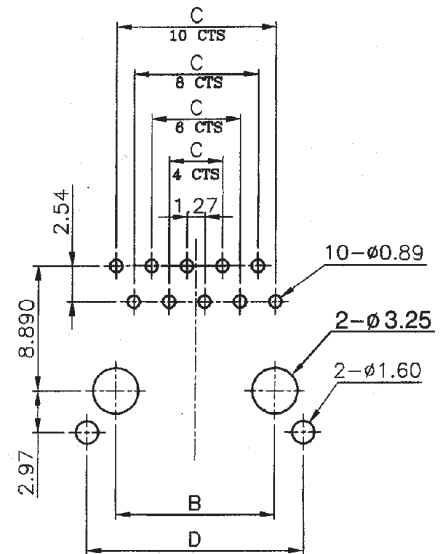


Materials and Finish

Shielding: Brass, Nickel plating
 Housing: Thermoplastic, glass filled (UL 94V-0), colour black
 Soldering Temp.: 240°C / 5 sec.
 Contact: Phosphor Bronze,
 6µ" Gold plating over Nickel (mating area)
 Tin plating over Nickel (solder area)



PCB-Layout (Top View)



* Depopulation of contacts possible

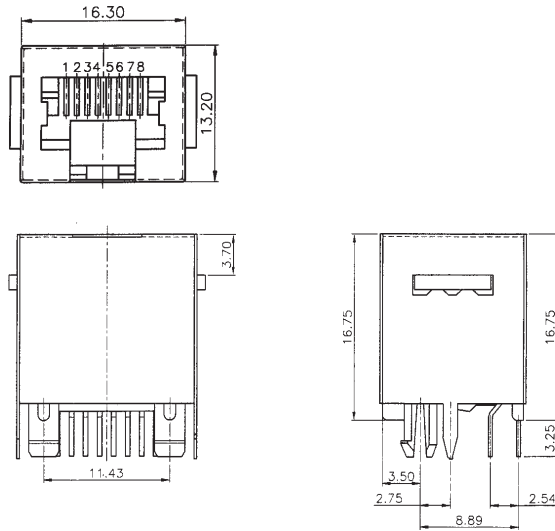
Part No.	No. of Positions	A	B	C	D
TS3014S-6*-1	6	13.56	10.16	6.53	13.57
TS3014S-8*-1	8	15.74	11.43	8.89	15.54
TS3014S-10*-1	10	15.74	11.43	11.43	15.54

Part Number TS3017S1-***21

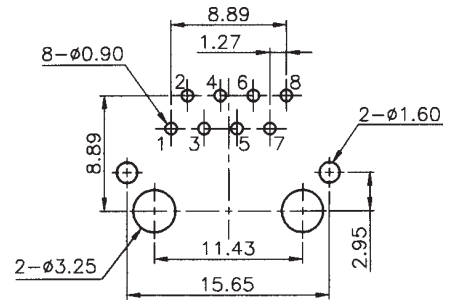


Materials and Finish

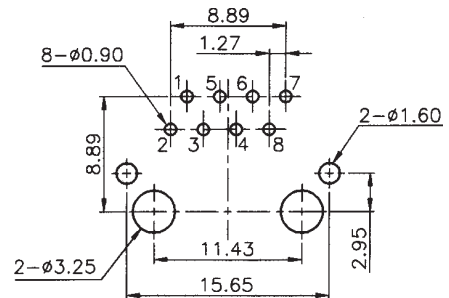
Shielding: Copper alloy, Nickel plated
 Housing: Polyester, glass filled (UL 94V-0), colour black
 Soldering Temp.: 240°C / 5 sec.
 Contact: Thickness 0.35mm Alloy C5210,
 6µ" Gold plating over Nickel (mating area)
 Tin plating over Nickel (solder area)



Standard Type PCB-Layout (Top View)



CAT5 Type PCB-Layout (Top View)

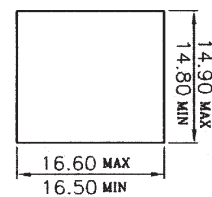
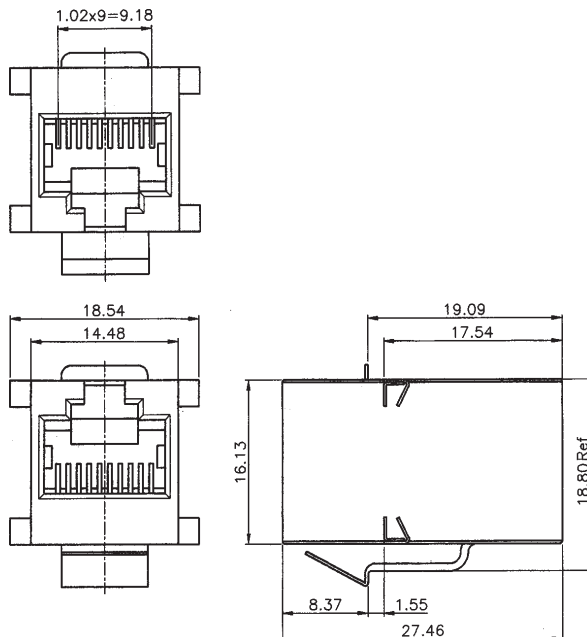


Part Number TS3101S-***1

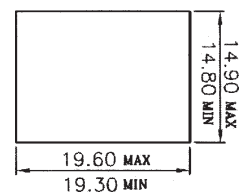


Materials and Finish

Shielding: Copper alloy, Nickel plated
 Housing: Polyester, glass filled (UL 94V-0), colour black
 Soldering Temp.: 240°C / 5 sec.
 Contact: Thickness 0.35mm Alloy C5210,
 6µ" Gold plating over Nickel (mating area)
 Tin plating over Nickel (solder area)



Front Panel Jack only clearance without latch feature



Single Panel - Latch clearance
 Panel thickness 0.0062 inch