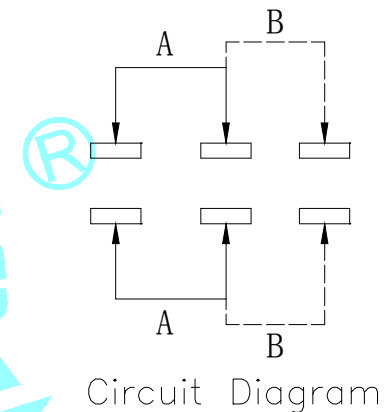
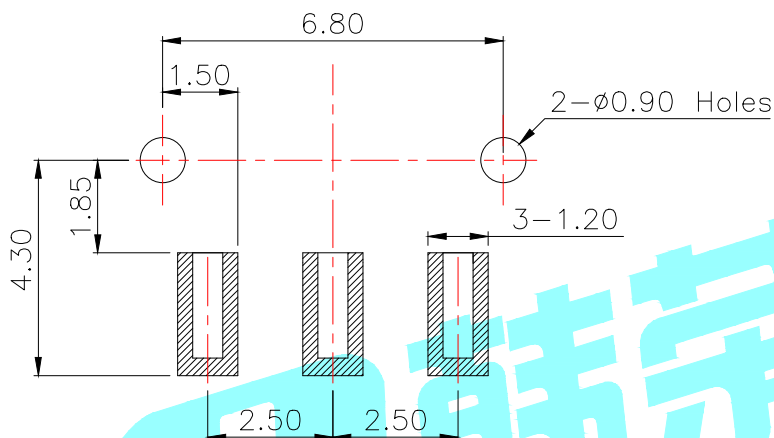
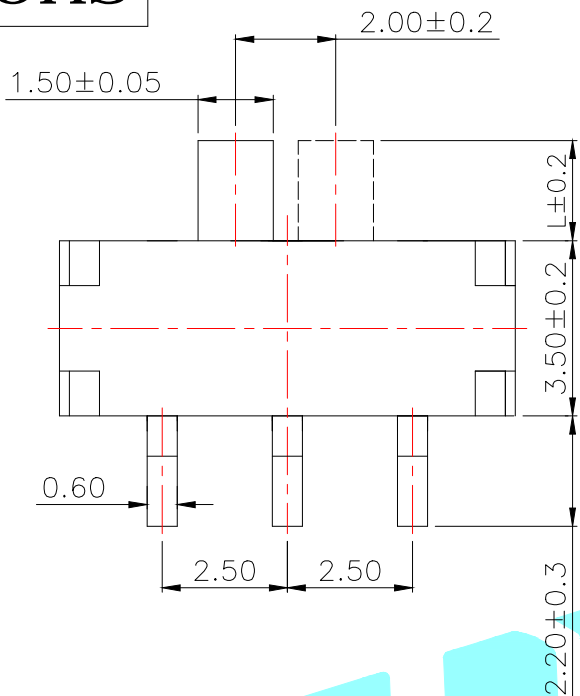
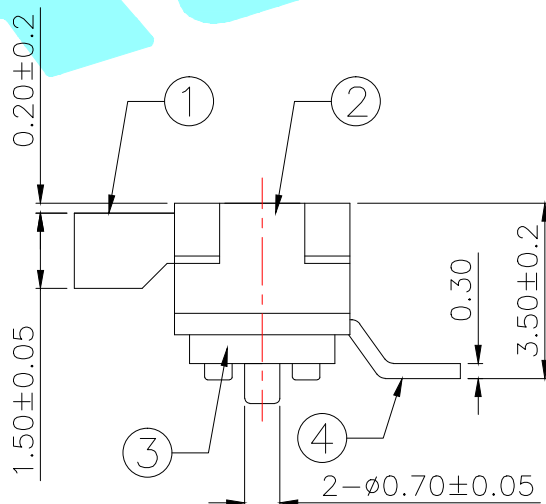
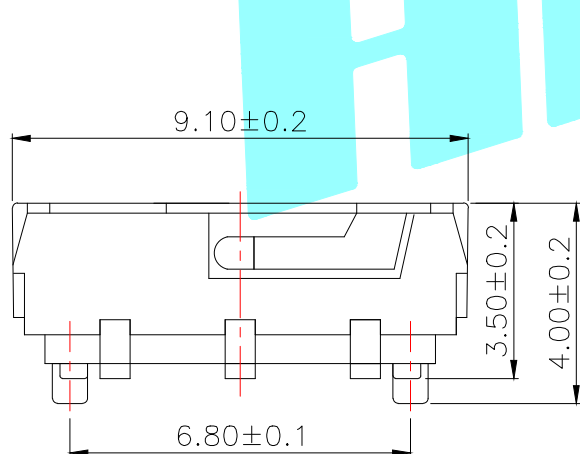


ROHS



PCB Layout (Pattern side)



PART NO.	L	Operating force
K3-1280S-F1	2	200±100gf
K3-1280S-K1	3	
K3-1280S-L1	4	

ITEM	PART NAME	TER'NO.	QTY.	MATERIAL	FINISHING	REMARK
⑤	Contact Spring	—	2	Beryllium copper	Ag Plated	—
④	Terminal	—	3	Brass Strip	Ag Plated	—
③	Base	—	1	NYLON	Black	—
②	Cover	—	1	SUS	Natural	—
①	KN0B	—	1	NYLON	Black	—

APPROVALS		DATE		HRO 韓榮® ELECTRONICS CO.,LTD		
DRAWN	J.X.Zhang	2013/9/26		TITLE:	TOGGLE SWITCHES	
CHECKED				PART NO.		
APPROVALS				PART NO.		
TOLERANCES ARE		30~以上	±0.30	ANGLE	UNIT: mm	SCALE: 1:1
		10~30	±0.20			
		5~10	±0.15			
		~ 5	±0.10			
				±2'	DRAWING NO.	
				PROJ:		SHEET 1 OF 1

ECN NO.	REV.	DATE.	DESCRIPTION.	CHANGE.	CHECK.	APPRO.
	A		NEW			