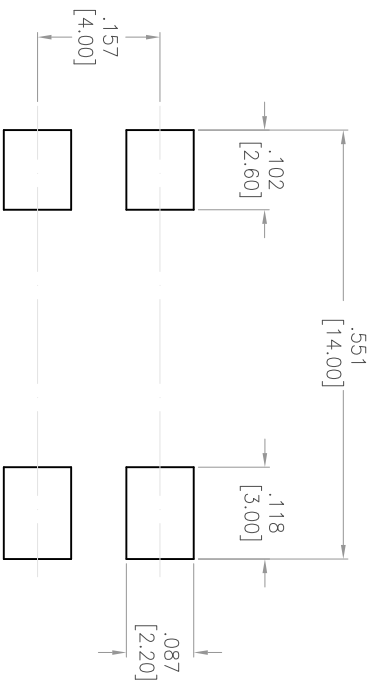
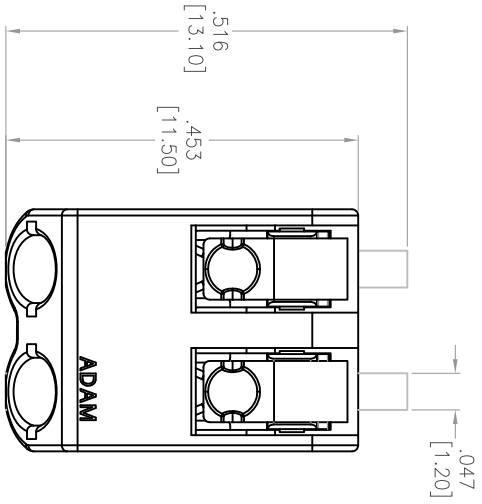
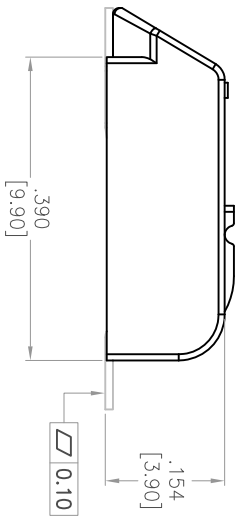
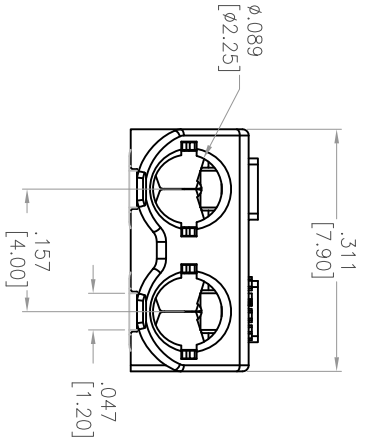


| Rev | AWO # | Description | Date | Appr |
|-----|-------|-------------|----------|------|
| - | 2789 | RELEASED | 06/30/15 | |

APPROVED: _____ TITLE: _____
 DATE: _____



RECOMMENDED PCB LAYOUT



PACKAGED ON TAPE & REEL

ADAM TECH

909 Rahway Avenue, Union, NJ 07083
 Phone: 908-687-5000 Fax: 908-687-5710

TITLE: SMD TERMINAL BLOCK, 2 POLE,
 COLOR WHITE

SPECIFICATIONS:
 Electrical:
 Voltage rated: 250 VAC
 Current rated: 9 Amps
 Insulation resistance: 500 M Ω @ 500 VDC
 Withstanding voltage: 500 VAC for 1 minute
 Mechanical:
 Insulator Color: White
 Wire range: 24-18AWG
 Environmental:
 Lead free, RoHS compliant.



UNLESS OTHERWISE SPECIFIED
 ALL DIMENSIONS ARE INCHES [MM]
 TOLERANCES: EXCEPT AS NOTED
 INCHES HOLES

| | | | |
|------|------------|-------------|------------|
| .X | \pm .10 | ϕ .X | \pm .10 |
| .XX | \pm .020 | ϕ .XX | \pm .015 |
| .XXX | \pm .015 | ϕ .XXX | \pm .010 |

APPROVALS

| DATE | DATE |
|----------|----------|
| DRAWN TW | 06/30/15 |
| CHECKED | |
| APPROVED | |

| | | |
|--------------|------------------|--|
| SIZE | PART NO. | TITLE |
| X | ADT-AN2789-02-C1 | SMD TERMINAL BLOCK, 2 POLE, COLOR WHITE |
| REF: S00113C | SCALE: NTS | SHEET 1 OF 1 |