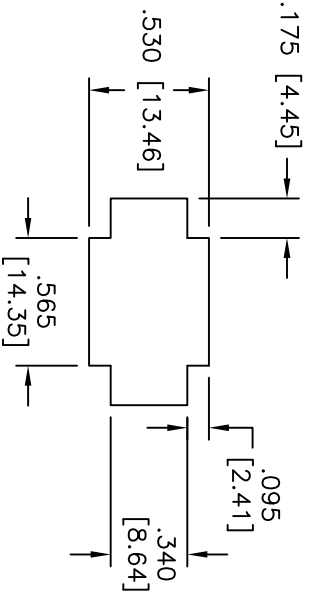
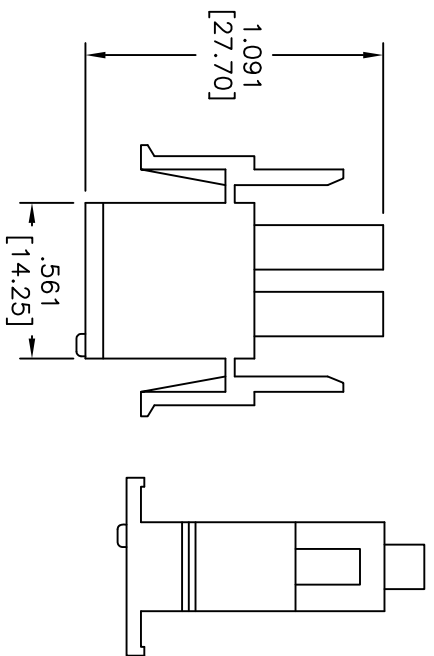
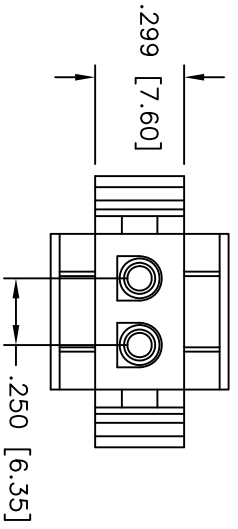


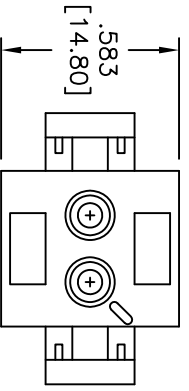
Rev	AWO #	Description	Date	Appr
-		RELEASED	11/19/10	

APPROVED: \_\_\_\_\_

DATE: \_\_\_\_\_ TITLE: \_\_\_\_\_



RECOMMENDED PANEL HOLE



**SPECIFICATIONS:**

**Material:**  
 Insulator: Thermoplastic, rated UL94V-2  
 Insulator color: Natural  
 Contact: Copper Alloy

**Electrical:**  
 Current rating: 13A  
 Voltage rating: 600V  
 Insulation resistance: 1,000 Mohms min.  
 Withstand voltage: 5000V AC/ minute  
 Temperature range: -55°C to +105°C

**Environmental:**  
 Lead free, RoHS compliant.

**ADAM TECH**

909 Rahway Avenue, Union, NJ 07083  
 Phone: 908-687-5000 Fax: 908-687-5710

TITLE: .250 [6.35] WIRE TO WIRE, MALE, 2 POLES

UNLESS OTHERWISE SPECIFIED ALL DIMENSIONS ARE INCHES [MM]	
TOLERANCES: EXCEPT AS NOTED	
INCHES	HOLDS
.X ± .10	ØX ± .10
.XX ± .020	ØXX ± .015
.XXX ± .015	ØXXX ± .010
APPROVALS	DATE
DRAWN	DY
CHECKED	
APPROVED	

SIZE	PART NO.	REV.
X	DME-M-02	-
REF:	S00004T	SHEET 1 OF 1
SCALE:	NTS	

6 5 4 3 2 1

A B C D

A B C D

