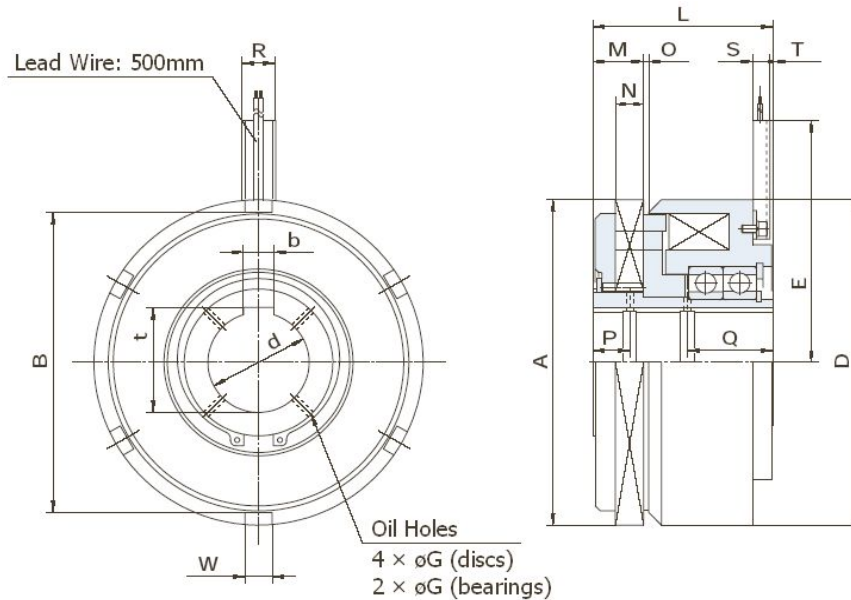


# MWC

## Wet-Type Multiple-Disk EM Clutch

Types: 40, 80, 160, 250, 320, 450, 600

[ EM: Electromagnet ]



[ Special Order ]

MWC		40	80	160	250	320	450	600
Dynamic Torque [ft-lbs / N-m]		295 / 400	590 / 800	1180 / 1600	1844 / 2500	2360 / 3200	3319 / 4500	4425 / 6000
Static Torque [ft-lbs / N-m]		590 / 800	1180 / 1600	2360 / 3200	3688 / 5000	4720 / 6400	6638 / 9000	8851 / 12000
Coil (20°C)	Voltage [DC-V]	24						
	Current [A]	2	2.5	3.7	4.6	5.1	7.3	6.2
	Resistance [Ω]	12	9.6	6.5	5.2	4.7	3.3	3.9
	Wattage [W]	50	60	90	110	125	175	150
Armature Pull-In Time [ms]		150	250	380	550	700	1000	1500
Torque Build-Up Time [ms]		320	600	700	900	1200	1500	1800
Torque Decay Time [ms]		130	350	900	700	1000	1200	1500
Max Allowable Speed [rpm]		2400	2000	1600	1400	1200	1000	900
Moment of Inertia (J) [kg-cm <sup>2</sup> ]	Hub	258	713	1980	3450	5280	10300	15000
	Outer Disc	47	142	383	683	1060	2280	5300
Bore [mm]	dH7	60	70	90	100	110	120	140
Key Way [mm]	bE9	18	20	25	28	28	32	35
	t+0.2/-0	63	75	95	106.5	119	130	151
	A	195	235	290	325	350	400	440
Dimensions [mm]	B	180	218	265	300	320	363.5	400
	D	195	235	290	324	350	392	428
	E	145	160	200	220	230	250	270
	G	4	4	4	5	5	8	8
	L	107	135	170	185	210	220	255
	M	30.2	40	49	55	60.9	63	80
	N	16.7	23	28.4	32	36.1	34.2	53
	O	3	4	5	5	10.1	10	10
	P	22	30	35	39	43	45	54
	Q	51	61	75	84	97	101	123
	R	20	20	25	30	30	30	30
	S	10	10	18	15	15	15	15
	T	2	4	5	11	10	17	17
	W	16	22	30	40	40	50	50
	W (Qty)	6	6	6	6	6	6	8
Weight [lbs / kg]		37 / 17	71 / 32	123 / 56	174 / 79	229 / 104	309 / 140	423 / 192
Coupling		UN40	UN80	UN160	UN250	UN320	UN450	UN600

[ Included parts & accessories : surge protector ]

[ 1" = 25.4mm ]