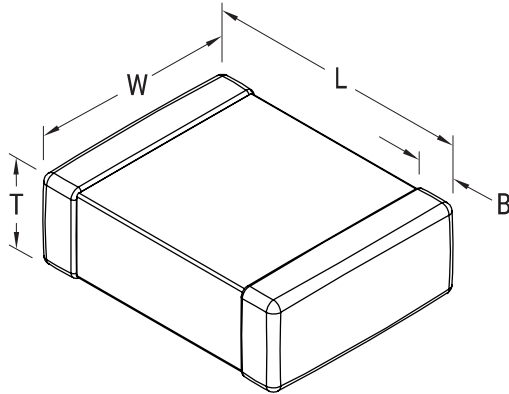


SMD Auto X8L HT150C, Ceramic, 1 uF, 10%, 50 VDC, X8L, SMD, MLCC, High Temperature, Temperature Stable, Automotive Grade, 1210



Dimensions	
L	3.2mm +/-0.2mm
W	2.5mm +/-0.2mm
T	1.7mm +/-0.20mm
B	0.5mm +/-0.25mm

Packaging Specifications	
Packaging:	T&R, 180mm, Plastic Tape
Packaging Quantity:	2000

General Information	
Supplier:	KEMET
Series:	SMD Auto X8L HT150C
Style:	SMD Chip
Description:	SMD, MLCC, High Temperature, Temperature Stable, Automotive Grade
Features:	High Temperature, Temperature Stable, Automotive Grade
RoHS:	Yes
Termination:	Tin
Marking:	No
Qualifications:	AEC-Q200
AEC-Q200:	Yes
Miscellaneous:	Note: Referee time for X8L dielectric for this part number is 1000 hours
Chip Size:	1210

Specifications	
Capacitance:	1 uF
Capacitance Tolerance:	10%
Voltage DC:	50 VDC
Dielectric Withstanding Voltage:	125 V
Temperature Range:	-55/+150C
Temperature Coefficient:	X8L
Dissipation Factor:	2.50% 1kHz 25C
Aging Rate:	3% Loss/Decade Hour
Insulation Resistance:	500 MOhms