

PLEASE CHECK WWW.MOLEX.COM FOR LATEST PART INFORMATION

Part Number: [0528081470](#)
Status: **Active**
Overview:
Description: 1.00mm (.039") Pitch FFC/FPC Connector, SMT, Vertical, Non-ZIF Receptacle, 14 Circuits, Lead-free

Agency Certification

UL E29179

General

Product Family FFC/FPC Connectors
 Series 52808
 Overview ffc_fpc_smt
 Product Name N/A

Physical

Circuits (Loaded) 14
 Circuits (maximum) 14
 Color - Resin Natural
 Contact Position N/A
 Durability (mating cycles max) 10
 Entry Angle N/A
 Flammability 94V-0
 Mated Height (in) 0.199 In
 Mated Height (mm) 5.05 mm
 Material - Metal Phosphor Bronze
 Material - Plating Mating Tin-Bismuth
 Material - Plating Termination Tin-Bismuth
 Material - Resin High Temperature Thermoplastic
 Number of Rows 1
 Orientation Vertical
 PCB Locator No
 PCB Retention None
 Packaging Type Embossed Tape on Reel
 Pitch - Mating Interface (in) 0.039 In
 Pitch - Mating Interface (mm) 1.00 mm
 Pitch - Term. Interface (in) 0.039 In
 Pitch - Term. Interface (mm) 1.00 mm
 Plating min: Mating (µin) 40
 Plating min: Mating (µm) 1
 Plating min: Termination (µin) 40
 Plating min: Termination (µm) 1
 Polarized to PCB No
 Stackable No
 Surface Mount Compatible (SMC) Yes
 Temperature Range - Operating -20°C to +80°C
 Termination Interface: Style Surface Mount
 Wire/Cable Type FFC/FPC

Electrical

Current - Maximum per Contact 0.5A
 Voltage - Maximum 125V AC (RMS)/DC

Material Info

Reference - Drawing Numbers

Packaging Specification SPK-52808-001

EU RoHS

**ELV and RoHS
Compliant**

REACH SVHC

Contains SVHC: No

Halogen-Free

Status

Not Reviewed

China RoHS



**Need more information on product
environmental compliance?**

Email productcompliance@molex.com
 For a multiple part number RoHS Certificate of
 Compliance, [click here](#)

Please visit the [Contact Us](#) section for any
 non-product compliance questions.

Search Parts in this Series

52808Series

Product Specification

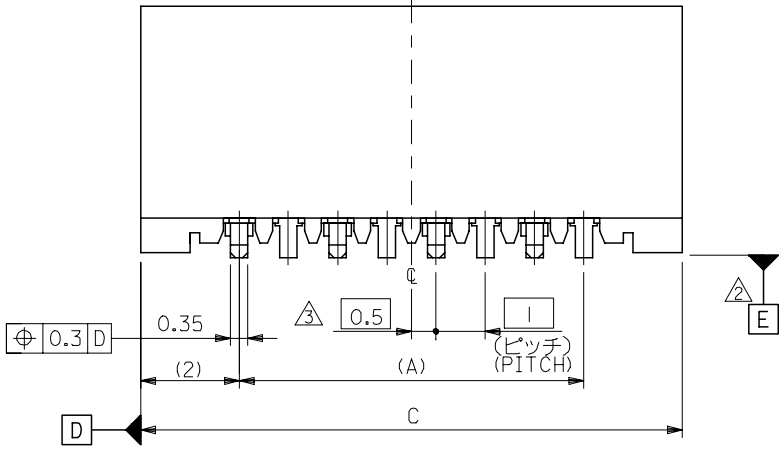
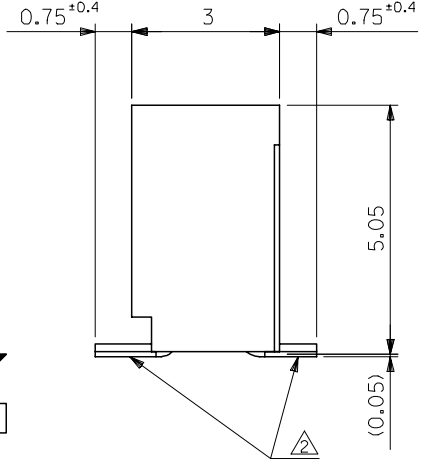
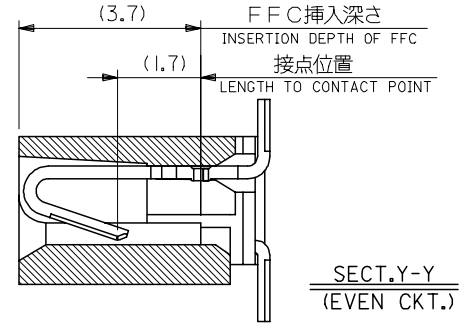
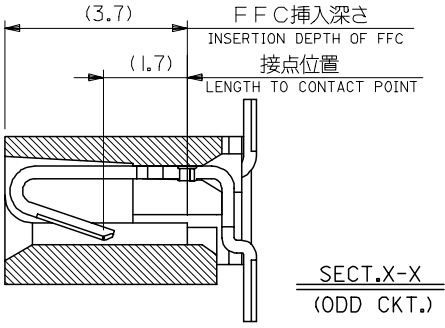
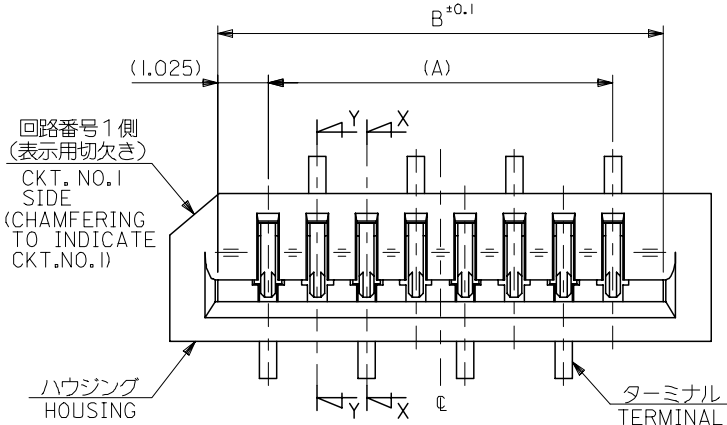
Sales Drawing

PS-52808-004, RPS-52808-039, RPS-52808-044,
RPS-52808-045, RPS-52808-047, RPS-52808-048,
RPS-52808-049
SD-52808-027, SD-52808-028

This document was generated on 06/05/2010

PLEASE CHECK WWW.MOLEX.COM FOR LATEST PART INFORMATION

10 9 8 7 6 5 4 3 2 1



33	31.05	29	52808-3019	30
32	30.05	28	-2919	29
31	29.05	27	-2819	28
30	28.05	26	-2719	27
29	27.05	25	-2619	26
28	26.05	24	-2519	25
27	25.05	23	-2419	24
26	24.05	22	-2319	23
25	23.05	21	-2219	22
24	22.05	20	-2119	21
23	21.05	19	-2019	20
22	20.05	18	-1919	19
21	19.05	17	-1819	18
20	18.05	16	-1719	17
19	17.05	15	-1619	16
18	16.05	14	-1519	15
17	15.05	13	-1419	14
16	14.05	12	-1319	13
15	13.05	11	-1219	12
14	12.05	10	-1119	11
13	11.05	9	-1019	10
12	10.05	8	-0919	9
11	9.05	7	-0819	8
10	8.05	6	-0719	7
9	7.05	5	-0619	6
8	6.05	4	-0519	5
7	5.05	3	52808-0419	4

注記 NOTES:

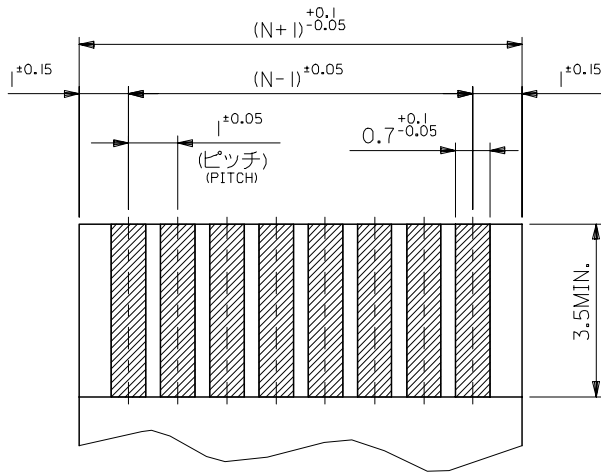
1. 使用材料 MATERIAL
 ハウジング: PPS, UL94V-0 HOUSING : PPS, UL94V-0
 ターミナル: リン青銅 (±0.25) TERMINAL : PHOSPHOR BRONZE
 メッキ: ニッケル下地鍍ビスマスメッキ PLATING : TIN-BISMUTH OVER NICKEL

△ 基準面 [E] からのソルダーテールの半田付け面のズレ量は、
 上方向に0.1 MAX. 下方向0.15 MAX. とする。
 MISALIGNMENT OF SOLDER TAIL FROM [E]
 : UPPER DIRECTION 0.1 MAX. , LOWER DIRECTION 0.15 MAX.

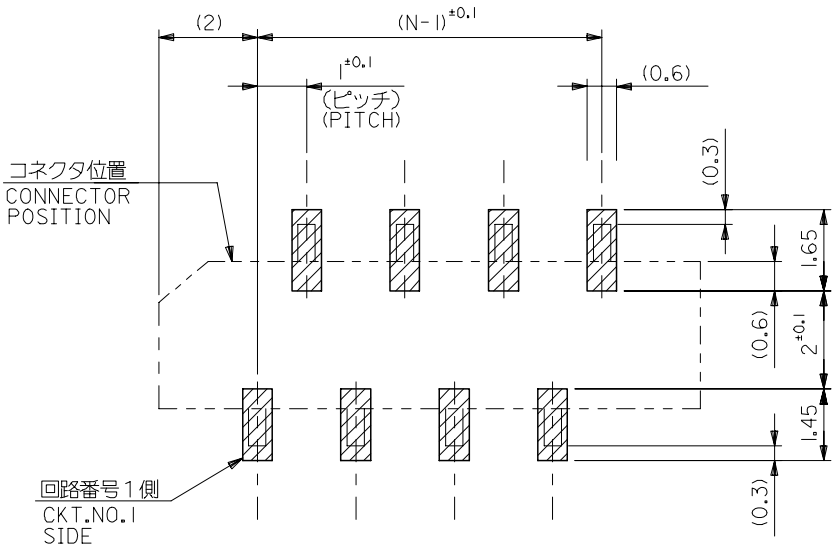
△ 偶数極に適用。
 APPLY FOR EVEN CKT.

4. 本製品は52808-**-10の鉛フリー品である。
 THIS PRODUCT IS LEAD FREE OF 52808-**-10

REVISED EC NO: J2006-1497 DRW: NABE1 2005/11/04 CHK: KYOYODA 2005/11/07 APP: NUKITA 2005/11/11	GENERAL TOLERANCES (UNLESS SPECIFIED)		DIMENSION STYLE MM ONLY		SCALE ---	DESIGN UNITS METRIC	THIRD ANGLE PROJECTION
	10 UNDER	±0.2	DRAWN BY M. NABE1	DATE '04/02/19	TITLE 1.0 FFC CONN. NON ZIF SMT. ST. -LEAD FREE-		
	10 OVER 30 UNDER	±0.25	CHECKED BY M. SASAO	DATE '04/02/19	MOLEX INCORPORATED		
	30 OVER	±0.3	APPROVED BY M. SASAO	DATE '04/02/19	DOCUMENT NO. SD-52808-027		
ANGULAR ±3 °		DRAFT WHERE APPLICABLE MUST REMAIN WITHIN DIMENSIONS		MATERIAL NO. SEE CHART		SHEET NO. 1 OF 1	
SIZE A3 THIS DRAWING CONTAINS INFORMATION THAT IS PROPRIETARY TO MOLEX INCORPORATED AND SHOULD NOT BE USED WITHOUT WRITTEN PERMISSION							



(仕上がり厚さ) 0.3 ± 0.03
THICKNESS
適合FPC推奨寸法
APPLICABLE FPC
RECOMMENDED DIMENSION.



参考基板レイアウト (マウント面)
RECOMMENDED P.C.BOARD
PATTERN DIMENSION. (REF.)
(MOUNTING AREA)

FPCについて:

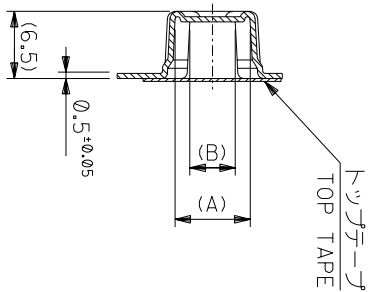
- 打抜き方向は、導体側から補強板側を推奨いたします。
- 補強フィルム材質は、ポリイミドを推奨いたします。
- 接着剤は、熱硬化接着剤を推奨いたします。

ABOUT FPC:

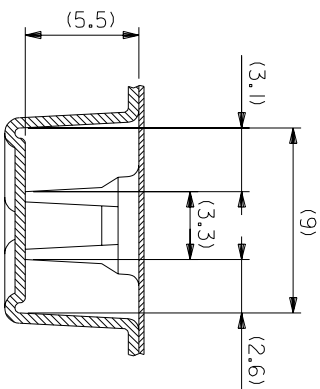
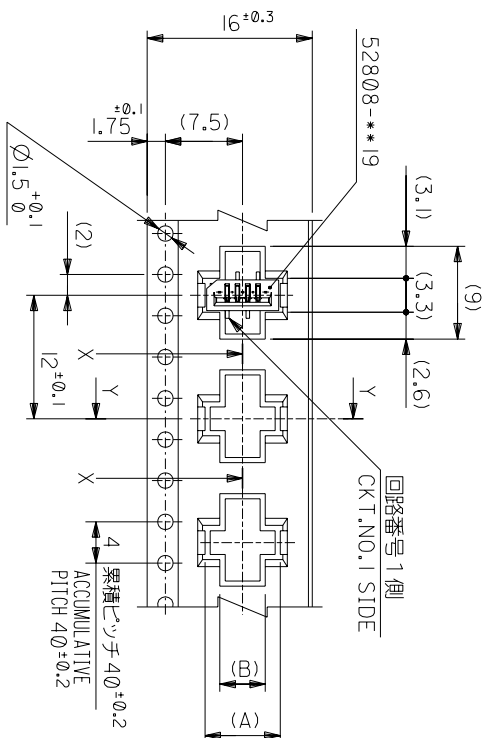
RECOMMENDED PUNCHER DIRECTION: FROM CONDUCTOR SIDE TO STIFFENER BOARD SIDE.

RECOMMENDED MATERIAL:
STIFFENER FILM: POLYIMIDE
BONDING AGENT: THERMOSETTING BONDING AGENT

REVISED EC NO: J2006-1497 DRWN: NABEI 2005/11/04 CHKDK: TOYODA 2005/11/07 APPR: NUKITA 2005/11/11 A	GENERAL TOLERANCES (UNLESS SPECIFIED)		DIMENSION STYLE MM ONLY		SCALE ---	DESIGN UNITS METRIC	THIRD ANGLE PROJECTION		
	10 UNDER	±0.2	DRAWN BY	DATE	TITLE				
	10 ⁰ OVER 30 UNDER	±0.25	CHECKED BY	DATE	1.0 FFC CONN. NON ZIF				
	30 OVER	±0.3	APPROVED BY	DATE	SMT. ST.				
	ANGULAR	±3 °	MATERIAL NO.	DATE	-LEAD FREE-				
DRAFT WHERE APPLICABLE MUST REMAIN WITHIN DIMENSIONS		SEE CHART		DOCUMENT NO. SD-52808-027		SHEET NO. 2 OF 2			
THIS DRAWING CONTAINS INFORMATION THAT IS PROPRIETARY TO MOLEX INCORPORATED AND SHOULD NOT BE USED WITHOUT WRITTEN PERMISSION									



SECT:Y-Y



16mm幅キャリアテープ
16mm WIDTH CARRIER TAPE

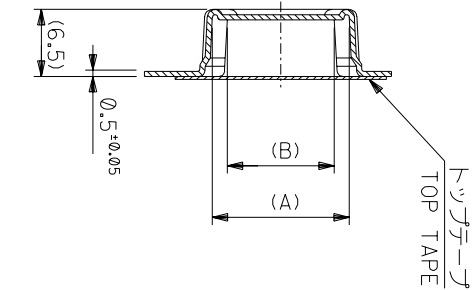
角度 ANGLE	±3°
30以上	±0.2
10以下	±0.25
10 UNDER	±0.2
30 UNDER	±0.2

記号 LTR	0	新規作成 (2004-2528)
REVISION RECORD		
DR-CHK.		
DATE		

MODEL NO.	52808-**-70	16	17.5	5.4	8.3	52808-0570	5
CARRIER TAPE WIDTH				4.4	7.3	52808-0470	4
MATERIAL NO.					(A)		種数
							CKT.

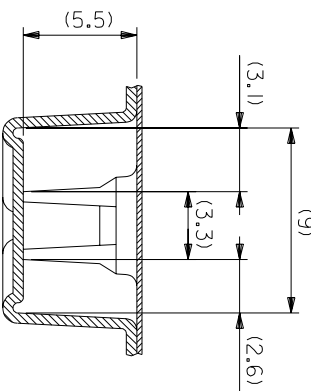
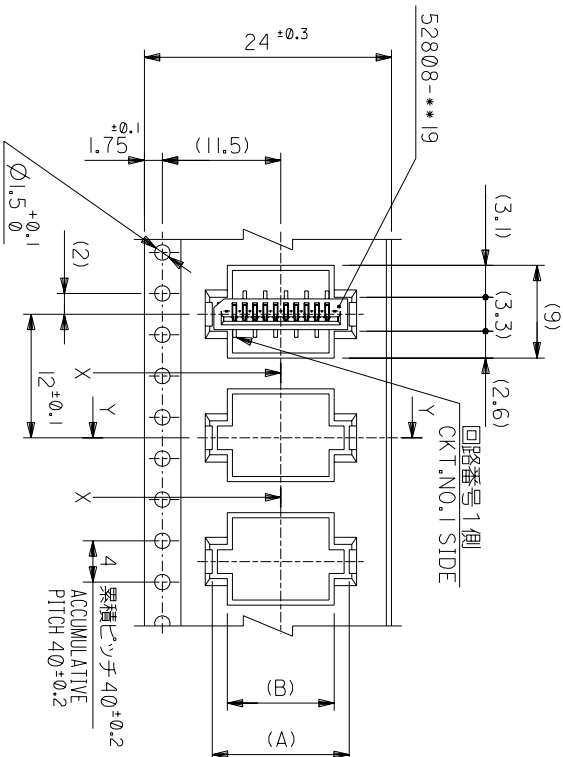
仕上げ FINISH	#	材料 MATERIAL	モレックス
適用電線範囲 WIRE RANGE	#	REFER TO SHEET 1 OF 6	日本モレックス株式会社
標準外径 INS. RANGE	#	REVISE ONLY ON CAD SYSTEM	
DRAWN BY 04/02/19	CHK'D BY 04/02/19	TITLE 名称	1.0 FCC CONN NON ZIF
M.NABEI	M.SASAO		SMT ST EmbsTD PKG
M.SASAO	M.SASAO		-LEAD FREE-
尺度 SCALE	#	DWG. NO.	SD-52808-028
		(SHEET 2 OF 6)	REV
			0

THIS DRAWING CONTAINS INFORMATION THAT IS PROPRIETARY TO MOLEX(JAPAN) AND SHOULD NOT BE USED WITHOUT WRITTEN PERMISSION
 本図面は日本モレックス(株)の所有する情報を含むもので 当社の許可なく複製を禁止する。



SECT:Y-Y

24mm幅キャリアテープ
24mm WIDTH CARRIER TAPE



SECT:X-X
(SCALE:4-1)

MODEL NO.	52808-**70	キャリアテープ幅 CARRIER TAPE WIDTH	24	25.5	10.4	13.3	52808-1070	10
		材料 MATERIAL	24	25.5	9.4	12.3	52808-0970	9
		REFER TO SHEET 1 OF 6			8.4	11.3	52808-0870	8
					7.4	10.3	52808-0770	7
					6.4	9.3	52808-0670	6
								種数 CKT.

角度 ANGLE	3°	仕上げ FINISH	—	REVISE ONLY ON CAD SYSTEM
30以上 30以下	10.2	適用電線範囲 WIRE RANGE	—	
10以上 10以下	14.25	標準外径 INS. RANGE	—	
10 UNDER	16.2	DRAWN BY 04/02/19	CHK'D BY 04/02/19	
一般公差 GENERAL TOLERANCES		APPR'D BY 04/02/19	SCALE M.SASAO	
		DR- M.S	DATE 04/02/19	
		CHK. DATE		
		記号 LTR	新規作成 (12004-2528)	
		REVISION RECORD	変更内容	

THIS DRAWING CONTAINS INFORMATION THAT IS PROPRIETARY TO MOLEX(JAPAN) AND SHOULD NOT BE USED WITHOUT WRITTEN PERMISSION
本図面は日本モリス(株)の所有する権利を有するもので 当社の許可なく複製を禁止する。

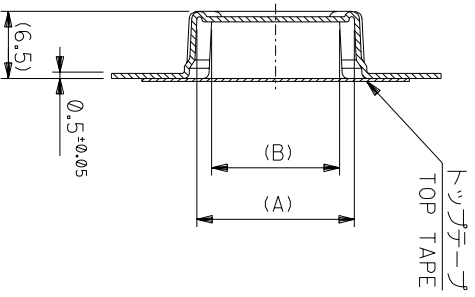
SD-52808-028.S03

MOLEX JAPAN CO.,LTD.
日本モリス株式会社

REVISE ONLY ON CAD SYSTEM

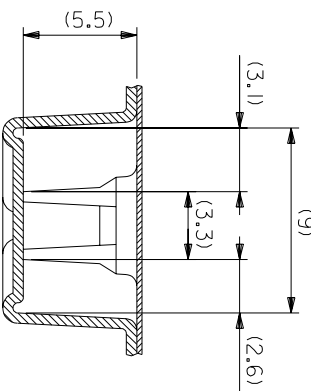
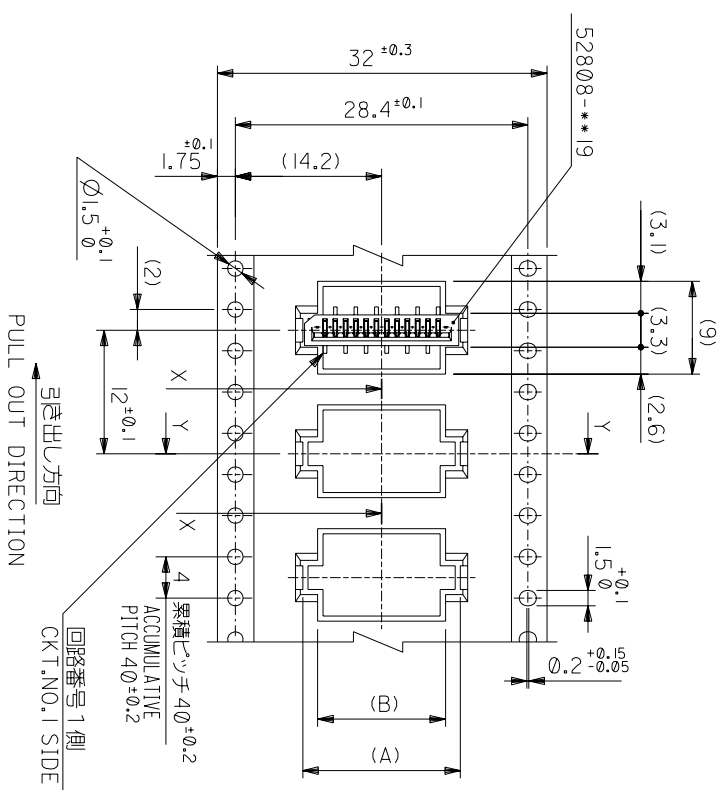
TITLE 名称
1.0 FCC Conn NON ZIF
SMT ST Embs+D PKG
-LEAD FREE-

DWG. NO. SD-52808-028 (SHEET 3 OF 6) REV 0



SECT:Y-Y

32mm幅キヤリテープ
32mm WIDTH CARRIER TAPE



SECT:X-X
(SCALE:4-1)

MODEL NO.	52808-**-70	キヤリテープ幅 CARRIER TAPE WIDTH	C	(B)	(A)	MATERIAL NO.	種数 CKT.
	32						
	33.5						
			15.4	18.3	52808-1570		15
			14.4	17.3	52808-1470		14
			13.4	16.3	52808-1370		13
			12.4	15.3	52808-1270		12
			11.4	14.3	52808-1170		11

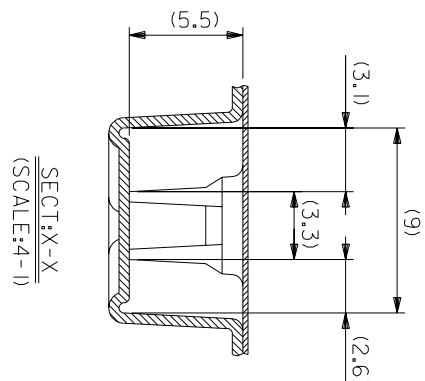
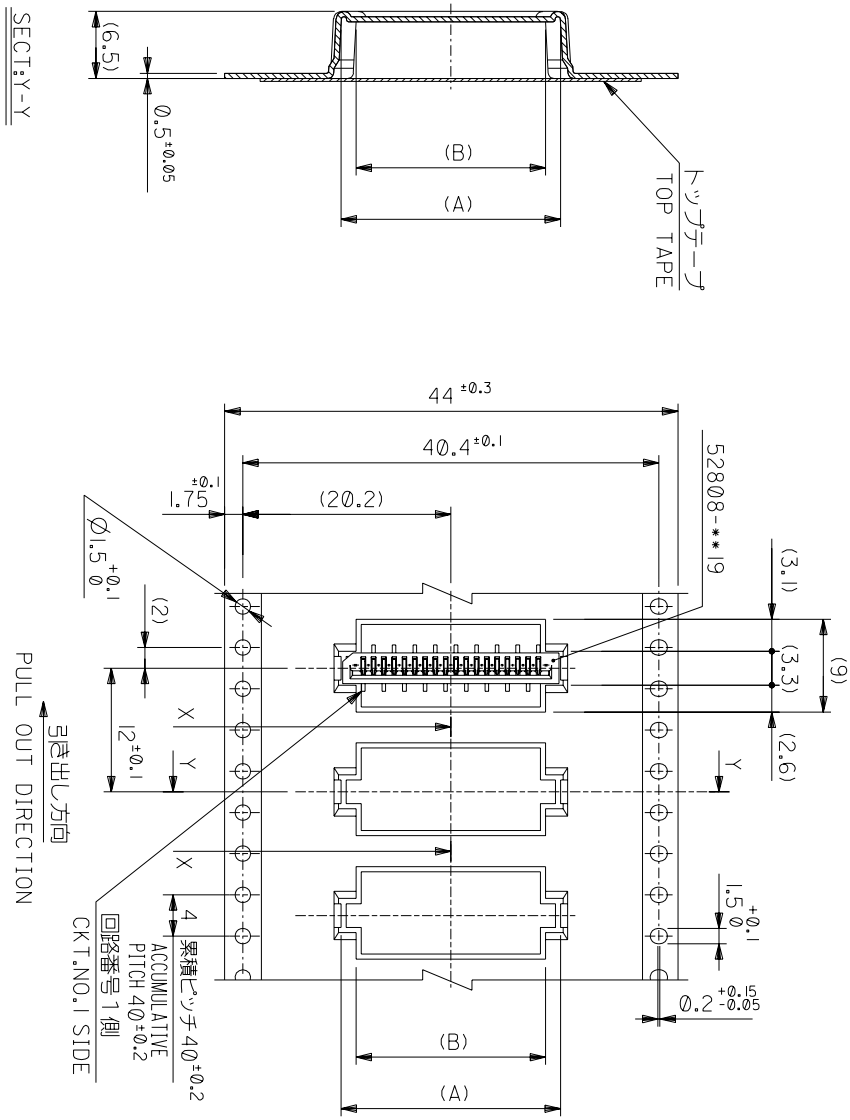
材料 MATERIAL SHEET 1 OF 6 参照 REFER TO SHEET 1 OF 6
仕上げ FINISH #
適用電線範囲 適用電線範囲 #
標準外径 標準外径 #
DRAWN BY 04/02/19 CHK'D BY 04/02/19
M.NABEY M.SASAO
APP'D BY 04/02/19 SCALE #/ #
M.SASAO

REVISE ONLY ON CAD SYSTEM
TITLE 名称
1.0 FFC Conn NON ZIF
SMT ST Embstp Pkg
-LEAD FREE-

角度 ANGLE	±3°
30以上	±0.2
10以下	±0.15
10未満	±0.2
10未満	±0.2

記号	0	新規作成 (2004-2528)	DR	日付
TR		変更内容	CHK.	
GENERAL TOLERANCES		REVISION RECORD		

THIS DRAWING CONTAINS INFORMATION THAT IS PROPRIETARY TO MOLEX(JAPAN) AND SHOULD NOT BE USED WITHOUT WRITTEN PERMISSION
本図面は日本モリス(株)の所有する情報を含むもので 当社の許可なく複製を禁止する。



44mm幅キリリテープ
44mm WIDTH CARRIER TAPE

SECT:Y-Y

SECT:X-X
(SCALE:4-1)

MODEL NO.	52808-**-70	キャリアテープ幅 CARRIER TAPE WIDTH	44	45.5	種数 CKT.
MATERIAL	52808-2870	(A)	28.4	31.3	28
REFER TO SHEET 1 OF 6	52808-2770	(B)	27.4	30.3	27
	52808-2670	(C)	26.4	29.3	26
	52808-2570		25.4	28.3	25
	52808-2470		24.4	27.3	24
	52808-2370		23.4	26.3	23
	52808-2270		22.4	25.3	22
	52808-2170		21.4	24.3	21
	52808-2070		20.4	23.3	20
	52808-1970		19.4	22.3	19
	52808-1870		18.4	21.3	18
	52808-1770		17.4	20.3	17
	52808-1670		16.4	19.3	16

角度	ANGLE	°
30以上	30	±3°
10以下	10	±4.25
未測	未測	±4.25
未測	未測	±0.2

記号	変更内容	DR	DATE
0	新製作成 (12004-2528)	M.N	M/W/02/19
	変更内容	M.S	M/S/02/19
	REVISION RECORD	DR	DATE
		CHK.	

仕上げ	FINISH	通用電線範囲	適用電線範囲	種番外径	種番外径	尺	尺	SCALE	SCALE	DWG. NO.	REV
---	---	---	---	---	---	---	---	---	---	SD-52808-028	0

THIS DRAWING CONTAINS INFORMATION THAT IS PROPRIETARY TO MOLEX(JAPAN) AND SHOULD NOT BE USED WITHOUT WRITTEN PERMISSION
 本図面は日本モリス(株)の所有する情報を含むもので 当社の許可なく複製を禁止する。

