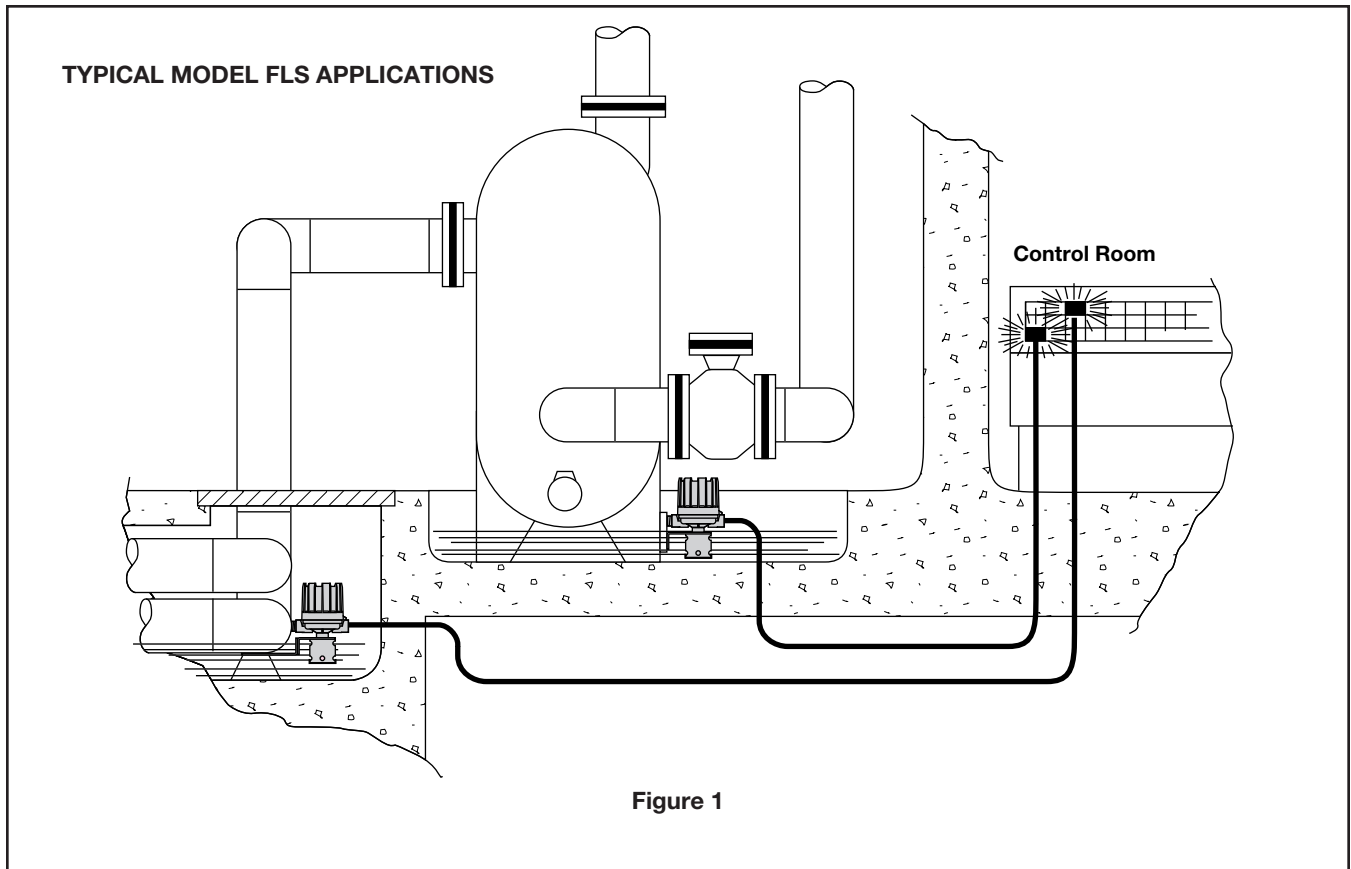




## Model FLS Flood Level Switch Descriptive Data



### DESCRIPTION

The Model FLS, part number 53-4701-001, is a float operated, liquid level control designed for bracket mounting in floor level sumps or troughs. The proven Magnetrol magnetic coupling is employed to transmit float movement to a single snap-action dry contact switch mechanism. The switch is factory set for  $\frac{3}{4}$ " level differential for off-on control—alarm and/or safety shutdown service.

### APPLICATIONS

The Model FLS is used to detect leaks or spills from critical valves, vessels, and pipelines in power plant installations, as shown in Figure 1.

## CONSTRUCTION

Simple and rugged in design, the Model FLS is constructed of quality materials throughout to assure reliable operation and a long trouble-free service life.

## FLOAT ENVELOPE

A perforated stainless steel float envelope is welded to a forged steel bracket assembly totally enclosing the float and providing a side mounting surface. A stainless steel bottom strap, tack welded to the float envelope, acts as a low level float stop.

## FLOAT AND TRIM

300 series stainless steel float with a 400 series magnetic attraction sleeve. Internal trim is 300 series stainless steel.

## SWITCH MECHANISM

The Magnetrol series B switch mechanism with SPDT contacts is standard and rated:

15 A resistive & 3.8 A inductive @ 120 VAC  
0.50 A resistive & 0.05 A inductive @ 120 VDC  
180°F maximum ambient temperature

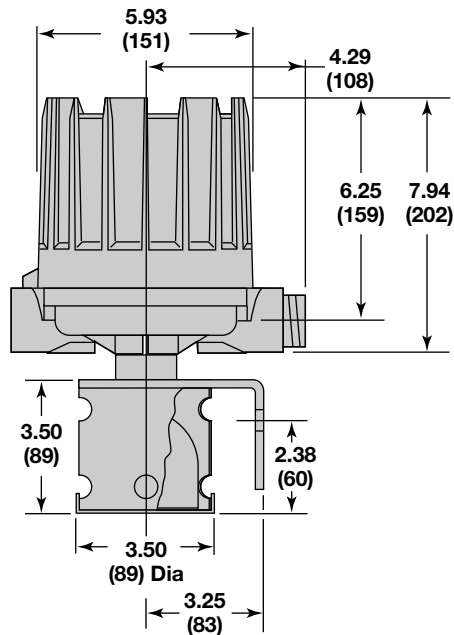
## SWITCH HOUSING

A NEMA 4X,6,7/9 cast aluminum submersible electrical enclosure is standard, and allows 180° positioning of the conduit outlet for wiring convenience.

## AVAILABLE OPTION

Qualified to IEEE 323-1974, and IEEE 344-1975.

## DIMENSIONAL SPECIFICATIONS inches (mm)



5300 Belmont Road • Downers Grove, Illinois 60515-4499 • 630-969-4000 • Fax 630-969-9489 • www.magnetrol.com  
145 Jardin Drive, Units 1 & 2 • Concord, Ontario Canada L4K 1X7 • 905-738-9600 • Fax 905-738-1306  
Heikensstraat 6 • B 9240 Zele, Belgium • 052 45.11.11 • Fax 052 45.09.93  
Regent Business Ctr., Jubilee Rd. • Burgess Hill, Sussex RH15 9TL U.K. • 01444-871313 • Fax 01444-871317



5300 Belmont Road • Downers Grove, Illinois 60515-4499 • 630-969-4028 • Fax 630-969-9489 • www.sticontrols.com

Copyright © 2008 Magnetrol International, Incorporated. All rights reserved. Printed in the USA.

BULLETIN: 44-306.6  
EFFECTIVE: September 2000  
SUPERSEDES: October 1995