

Aluminum Electrolytic Capacitors

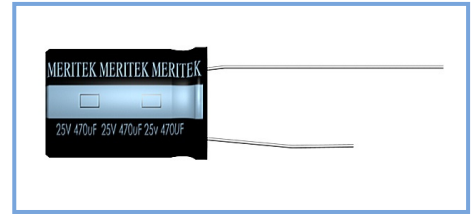


SSH Series
(105°C, 5mmL)

MERITEK

FEATURES

- Wide temperature range series with 5mm height.



SPECIFICATIONS

Item	Characteristic							
Operating Temp Range	- 55 ~ +105°C							
Rated Working Voltage	4 ~ 50VDC							
Capacitance Tolerance (120Hz 20°C)	± 20%(M)							
Leakage Current (20°C)	I ≤ 0.01CV or 3 (μA)				I : Leakage Current (μA)			
	* Whichever is greater after 2 minutes				C : Rated Capacitance(μF)			
					V : Working Voltage (V)			
Surge Voltage (20°C)	W.V.	4	6.3	10	16	25	35	50
	S.V.	5	8	13	20	32	44	63
Dissipation Factor (tan δ) (120Hz 20°C)	W.V.	4	6.3	10	16	25	35	50
	tan δ	0.37	0.28	0.24	0.20	0.16	0.13	0.12
Low Temperature Stability	Impedance ratio at 120Hz							
	Rated Voltage (V)	4	6.3	10	16	25	35	50
	-25°C / +20°C	6	3	3	2	2	2	2
	-40°C / +20°C	12	8	5	4	3	3	3
Load Life	After 1000 hours application of W.V. and +105°C ripple current value , the capacitor shall meet the following limits. (DC + ripple peak voltage ≤ rated working voltage)							
	Capacitance Change	≤ ±25% of initial.						
	Dissipation Factor	≤ 200% of initial specified value						
	Leakage Current	≤ initial specified value						
Shelf Life	At +105°C no voltage application after 1000 hours the capacitor shall meet the limits for load life characteristics. (with voltage treatment)							

PART NUMBER SYSTEM

SSH 10V 330 M TA 5x5

Meritek Series

Rated Voltage

Rated Capacitance

Express in micro farad(uF), First two digits are significant figures, Third digit denotes number of zeros. 'R' denotes decimal point for values less than 10uF

Tolerance

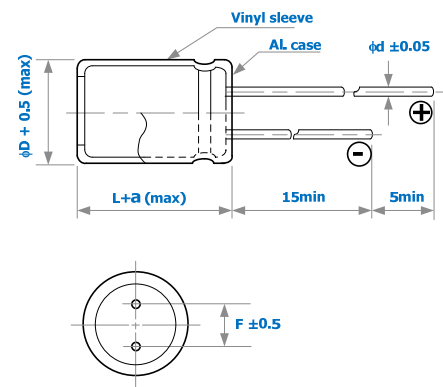
M - ±20%

Package

Code	TA	TR	Blank
	Tape & Ammo	Tape & Reel	

Case size – (D) Diameter x (L) Length in mm (Optional)

DIMENSIONS (mm)



φD	4	5	6.3
F	1.5	2.0	2.5
d	0.45	0.45	0.45
a	1.0	1.0	1.0

Aluminum Electrolytic Capacitors



SSH Series
(105°C, 5mmL)

MERITEK

CASE SIZE & MAX RIPPLE CURRENT

Case size : DxL (mm)
Max. ripple current : mA(rms) 105°C 120Hz

Cap. (uF)	V Item	4		6.3		10		16		25		35		50	
		DxL	R.C.	DxL	R.C.	DxL	R.C.	DxL	R.C.	DxL	R.C.	DxL	R.C.	DxL	R.C.
0.1													→	4x5	2
0.22													→	4x5	4
0.33													→	4x5	4
0.47													→	4x5	5
1.0													→	4x5	8
2.2											→	4x5	10	4x5	11
3.3											→	4x5	13	4x5	14
4.7								→	4x5	14	4x5	15	5x5	19	
10						→	4x5	19	5x5	23	5x5	25	6.3x5	31	
22		4x5	19	4x5	23	5x5	29	5x5	32	6.3x5	39	6.3x5	42		
33		5x5	26	5x5	32	5x5	35	6.3x5	45	6.3x5	48				
47		5x5	32	5x5	38	6.3x5	48	6.3x5	55						
100		6.3x5	55	6.3x5	65										

All blank voltage on sleeve marking is the same voltage as “→” point to.