



P/N: LU1T041C-43 LF

Feature



- Complies with requirement of IEEE802.3u standards.
- RJ 45 connector with 10/100 BASE-TX magnetic.
- Meet UL safety standard.
- Includes integrated 2 LEDS(option).
- LEDS signal leads are isolated from the Ethernet signal leads to reduce EMI and cross talk.
- Comply with RoHS requirements-whole part No Cd, No Hg, No Cr6+, No PBB and PBDE and No Pb on external pins.
- Operating temperature range: 0 to +70 .
- Storage temperature range: -25 to +85 .
- Recommended panel

| Part Number | Standard LED | Forward*V(Max) | (TYP) |
|-------------|--------------|----------------|-------|
| 3 | YELLOW | 2.6V | 2.1V |
| 4 | GREEN | 2.6V | 2.2V |

*with a forward current of 20mA

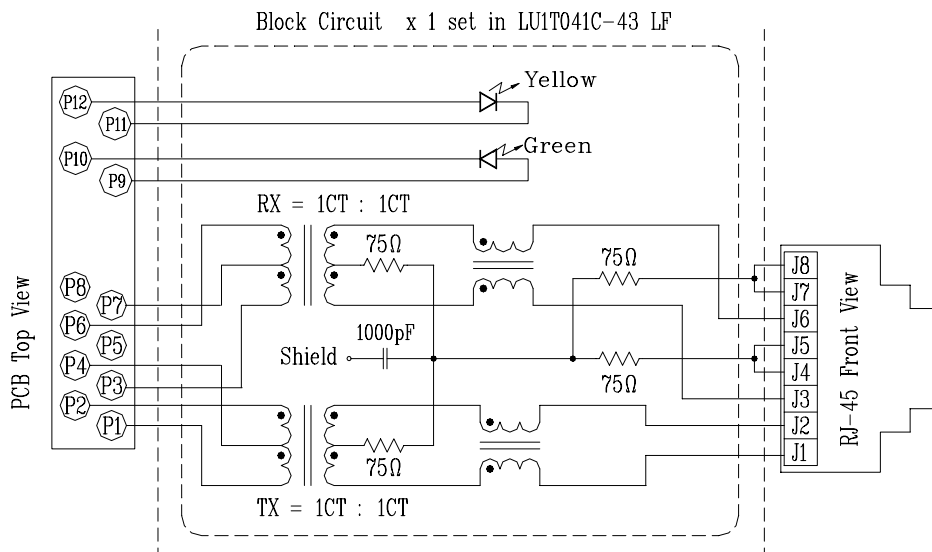
Electrical Specifications @ 25°C

| Part Number | Turns Ratio (±5%) | | OCL (uH Min) @ 100 KHz/0.1V with 8mA DC Bias | C _{w/w} (pF Max) | L.L (uH Max) | Insertion Loss (dB Max)TX/RX 0.3-100MHz | HI-POT (Vrms) 1500 |
|----------------|-------------------|---------|--|------------------------------|-----------------|---|--------------------------|
| | TX | RX | | | | | |
| LU1T041C-43 LF | 1CT:1CT | 1CT:1CT | 350 | 28 | 0.4 | -1.15 | 1500 |

Continue

| Part Number | Return Loss (dB Min)TX/RX | | | | | Cross talk (dB Min)TX/RX | | | CMR (dB Min) TX/RX | | |
|----------------|------------------------------|-------|-------|-------|-------|-----------------------------|----------|-----------|-----------------------|----------|-----------|
| | 30MHz | 40MHz | 50MHz | 60MHz | 80MHz | 0.3-30MHz | 30-60MHz | 60-100MHz | 1-30MHz | 30-60MHz | 60-125MHz |
| LU1T041C-43 LF | -16 | -14 | -13.5 | -13 | -10 | -40 | -35 | -30 | -30 | -25 | -20 |

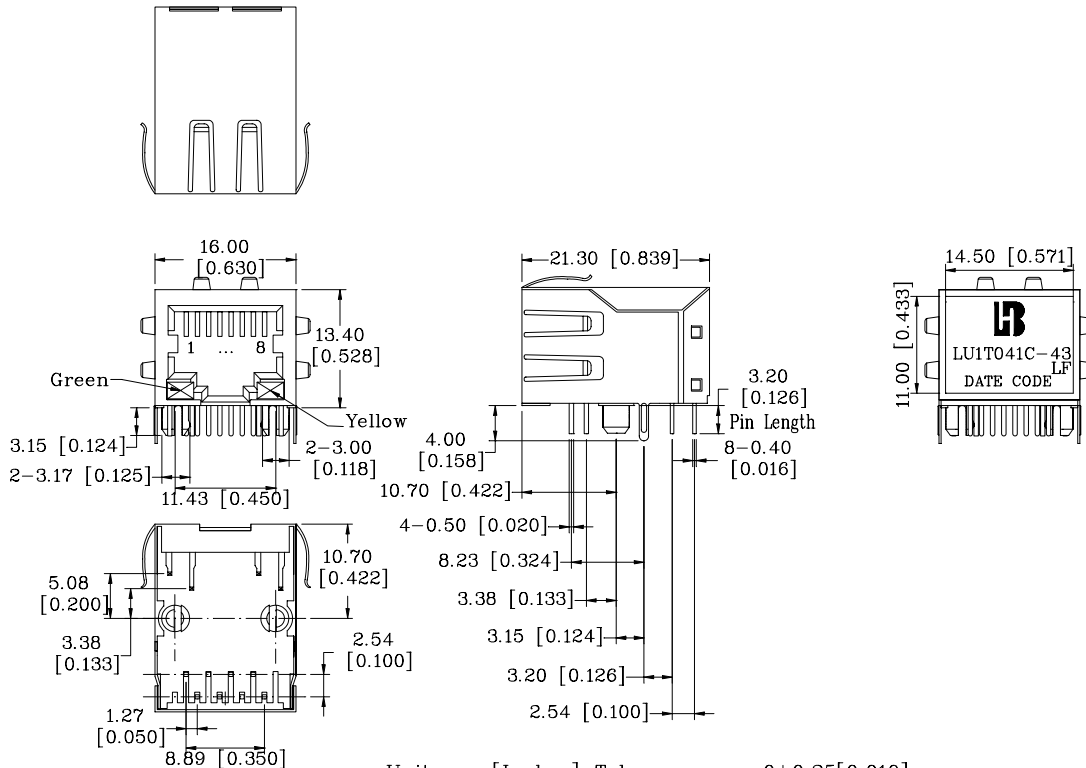
Schematic





P/N: LU1T041C-43 LF

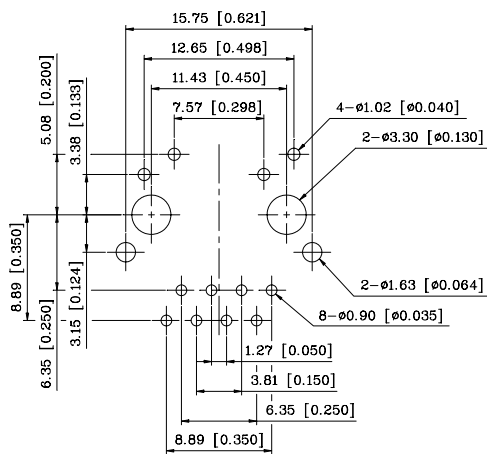
Mechanical



Units: mm[Inches] Tolerances: xx.x0±0.25[0.010]
0.xx±0.05[0.002]

- 1. Plastic Material : Thermoplastic (UL 94V-0), Black Housing
- 2. Metal Shield : Brass, 20u inches thick Nickel
- 3. Spring Wire : Phosphor bronze with selective gold plating
- 4. Solder Pin : 0.4x0.4mm, Phosphor bronze with solder Plated
- 5. Durability : 750 Mating cycles Min.

PCB Layout Mounting Hole(Top View)



Units: mm[Inches]
Tolerances: xx.x0±0.25[0.010]
0.xx±0.05[0.002]

