

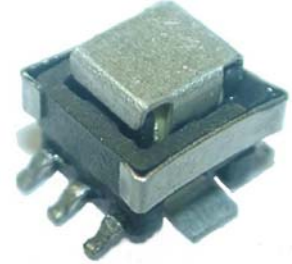
CSE5-100301

Description:

EE5 Surface mounting design
 Height: 5.3mm Max
 Optimal performance at 250 kHz and above
 Primary Current Rating: 10 amps
 Insulation Resistance: 10MΩ Minimum
 Operating Temperature Range: -15°C to +105°C
 Custom designs available

Application:

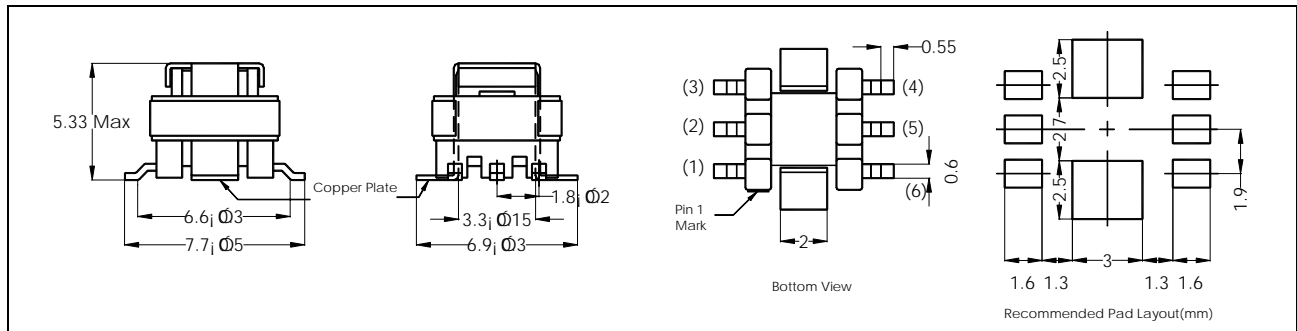
Ac current detection
 Output supply for control circuit
 Switching Power Supply



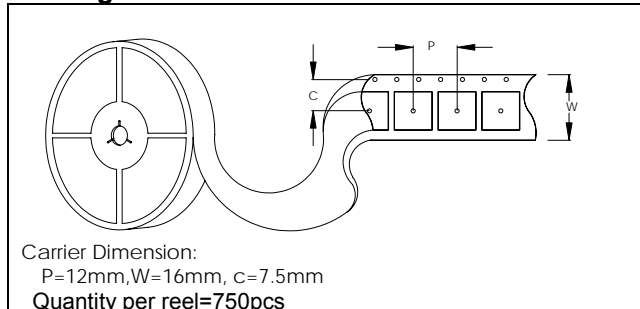
Electrical Specifications @ 25C

| Turns N1:N2 | Secondary Min Inductance (μH) | Secondary Max DCR (mΩ) | Color Code | |
|----------------|----------------------------------|---------------------------|------------|------|
| | | | Dot | Tape |
| 1:30 | 180 | 870 | YEL | YEL |

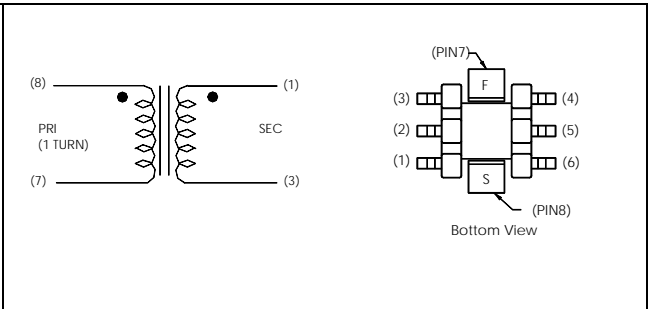
Mechanical:



Packing:



Schematic:



RoHS Compliance: As of manufacturing date February 2005, all standard products meet the requirements of 2011/65/EU, known as the RoHS initiative.

* Upon printing, this document is considered "uncontrolled". Please contact Triad Magnetics' website for the most current version