

## The Compact Power Transformer

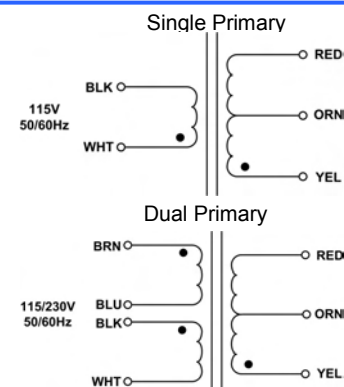
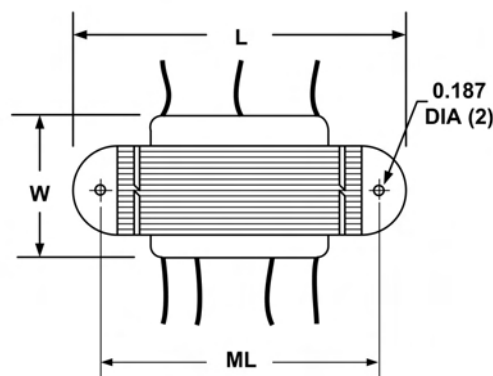
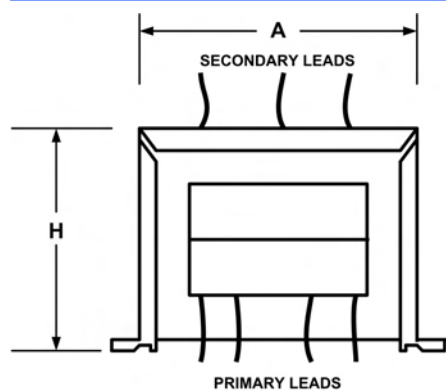
### Series: PSL & PDL - Chassis Mount with Lead Wires

- Power Rating 1.2VA to 100VA
- Single or Dual Primary, 115V or 115/230V
- Frequency 50/60HZ
- Center-tapped Secondary
- Dielectric Strength – 2500 Vrms
- Insulation Class B (130°C)
- Low Capacitive Coupling, no Electrostatic Shield Needed
- Color Coded Hook-up Wires



### Agency Approvals:

- UL/cUL 5085-2 Recognized (File E47299)
- Insulation File No. E95662



• Indicates Like Polarity  
 Primaries and Secondaries are designed to be used simultaneously. That is, they must be used either series or parallel connected (as one winding). Same applies to secondaries also.

| VA Rating | Dimensions (Inches) |      |      |      |      | Weight Lbs |
|-----------|---------------------|------|------|------|------|------------|
|           | L                   | W    | H    | A    | ML   |            |
| 1.2       | 2.063               | 1.00 | 1.19 | 1.45 | 1.75 | 0.25       |
| 2.4       | 2.063               | 1.40 | 1.19 | 1.45 | 1.75 | 0.25       |
| 5         | 2.375               | 1.50 | 1.38 | 1.70 | 2.00 | 0.44       |
| 6         | 2.375               | 1.50 | 1.38 | 1.70 | 2.00 | 0.44       |
| 10        | 2.813               | 1.64 | 1.62 | 1.95 | 2.38 | 0.70       |
| 12        | 2.813               | 1.64 | 1.62 | 1.95 | 2.38 | 0.70       |
| 15        | 2.813               | 1.64 | 1.62 | 1.95 | 2.38 | 0.70       |
| 20        | 3.250               | 1.60 | 1.94 | 2.32 | 2.81 | 1.10       |
| 30        | 3.250               | 2.00 | 1.94 | 2.32 | 2.81 | 1.10       |
| 40        | 3.688               | 1.95 | 2.25 | 2.70 | 3.12 | 1.70       |
| 50        | 3.688               | 2.13 | 2.25 | 2.70 | 3.12 | 1.70       |
| 56        | 3.688               | 2.13 | 2.25 | 2.70 | 3.12 | 1.70       |
| 75        | 4.031               | 2.25 | 2.56 | 3.08 | 3.56 | 2.75       |
| 80        | 4.031               | 2.25 | 2.56 | 3.08 | 3.56 | 2.75       |
| 100       | 4.031               | 2.50 | 2.56 | 3.08 | 3.56 | 2.75       |

Any application, Any requirement, Contact us for our Custom Designs

## The Compact Power Transformer

### Series: PSL & PDL - Chassis Mount with Lead Wires

#### Partial Selection Guide

| VA  | Part Number |             | Secondary       |
|-----|-------------|-------------|-----------------|
|     | 115V        | 115/230V    |                 |
| 1.2 | PSL-012-10  | PDL-012-10  | 10VCT @ 120mA   |
|     | PSL-012-126 | PDL-012-126 | 12.6VCT @ 95mA  |
|     | PSL-012-16  | PDL-012-16  | 16VCT @ 75mA    |
|     | PSL-012-20  | PDL-012-20  | 20VCT @ 60mA    |
|     | PSL-012-24  | PDL-012-24  | 24VCT @ 50mA    |
|     | PSL-012-28  | PDL-012-28  | 28VCT @ 43mA    |
|     | PSL-012-36  | PDL-012-36  | 36VCT @ 33mA    |
|     | PSL-012-48  | PDL-012-48  | 48VCT @ 25mA    |
|     | PSL-012-56  | PDL-012-56  | 56VCT @ 21mA    |
|     | PSL-012-120 | PDL-012-120 | 120VCT @ 10mA   |
| 2.4 | PSL-24-10   | PDL-24-10   | 10VCT @ 240mA   |
|     | PSL-24-126  | PDL-24-126  | 12.6VCT @ 190mA |
|     | PSL-24-16   | PDL-24-16   | 16VCT @ 150mA   |
|     | PSL-24-20   | PDL-24-20   | 20VCT @ 120mA   |
|     | PSL-24-24   | PDL-24-24   | 24VCT @ 100mA   |
|     | PSL-24-28   | PDL-24-28   | 28VCT @ 85mA    |
|     | PSL-24-36   | PDL-24-36   | 36VCT @ 66mA    |
|     | PSL-24-48   | PDL-24-48   | 48VCT @ 50mA    |
|     | PSL-24-56   | PDL-24-56   | 56VCT @ 43mA    |
|     | PSL-24-120  | PDL-24-120  | 120VCT @ 20mA   |
| 5   | PSL-05-10   | PDL-05-10   | 10VCT @ 500mA   |
|     | PSL-05-126  | PDL-05-126  | 12.6VCT @ 397mA |
|     | PSL-05-16   | PDL-05-16   | 16VCT @ 312mA   |
|     | PSL-05-20   | PDL-05-20   | 20VCT @ 250mA   |
|     | PSL-05-24   | PDL-05-24   | 24VCT @ 208mA   |
|     | PSL-05-28   | PDL-05-28   | 28VCT @ 178mA   |
|     | PSL-05-36   | PDL-05-36   | 36VCT @ 138mA   |
|     | PSL-05-48   | PDL-05-48   | 48VCT @ 104mA   |
|     | PSL-05-56   | PDL-05-56   | 56VCT @ 89mA    |
|     | PSL-05-120  | PDL-05-120  | 120VCT @ 42mA   |
| 6   | PSL-06-10   | PDL-06-10   | 10VCT @ 600mA   |
|     | PSL-06-126  | PDL-06-126  | 12.6VCT @ 476mA |
|     | PSL-06-16   | PDL-06-16   | 16VCT @ 375mA   |
|     | PSL-06-20   | PDL-06-20   | 20VCT @ 300mA   |
|     | PSL-06-24   | PDL-06-24   | 24VCT @ 250mA   |
|     | PSL-06-28   | PDL-06-28   | 28VCT @ 214mA   |
|     | PSL-06-36   | PDL-06-36   | 36VCT @ 167mA   |
|     | PSL-06-48   | PDL-06-48   | 48VCT @ 125mA   |
|     | PSL-06-56   | PDL-06-56   | 56VCT @ 107mA   |
|     | PSL-06-120  | PDL-06-120  | 120VCT @ 50mA   |

| VA | Part Number |            | Secondary       |
|----|-------------|------------|-----------------|
|    | 115V        | 115/230V   |                 |
| 10 | PSL-10-10   | PDL-10-10  | 10VCT @ 1.00A   |
|    | PSL-10-126  | PDL-10-126 | 12.6VCT @ 794mA |
|    | PSL-10-16   | PDL-10-16  | 16VCT @ 625mA   |
|    | PSL-10-20   | PDL-10-20  | 20VCT @ 500mA   |
|    | PSL-10-24   | PDL-10-24  | 24VCT @ 417mA   |
|    | PSL-10-28   | PDL-10-28  | 28VCT @ 357mA   |
|    | PSL-10-36   | PDL-10-36  | 36VCT @ 278mA   |
|    | PSL-10-48   | PDL-10-48  | 48VCT @ 208mA   |
|    | PSL-10-56   | PDL-10-56  | 56VCT @ 180mA   |
|    | PSL-10-120  | PDL-10-120 | 120VCT @ 83mA   |
| 12 | PSL-12-10   | PDL-12-10  | 10VCT @ 1.2A    |
|    | PSL-12-126  | PDL-12-126 | 12.6VCT @ 950mA |
|    | PSL-12-16   | PDL-12-16  | 16VCT @ 750mA   |
|    | PSL-12-20   | PDL-12-20  | 20VCT @ 600mA   |
|    | PSL-12-24   | PDL-12-24  | 24VCT @ 500mA   |
|    | PSL-12-28   | PDL-12-28  | 28VCT @ 428mA   |
|    | PSL-12-36   | PDL-12-36  | 36VCT @ 330mA   |
|    | PSL-12-48   | PDL-12-48  | 48VCT @ 250mA   |
|    | PSL-12-56   | PDL-12-56  | 56VCT @ 214mA   |
|    | PSL-12-120  | PDL-12-120 | 120VCT @ 100mA  |
| 15 | PSL-15-10   | PDL-15-10  | 10VCT @ 1.5A    |
|    | PSL-15-126  | PDL-15-126 | 12.6VCT @ 1.19A |
|    | PSL-15-16   | PDL-15-16  | 16VCT @ 940mA   |
|    | PSL-15-20   | PDL-15-20  | 20VCT @ 750mA   |
|    | PSL-15-24   | PDL-15-24  | 24VCT @ 625mA   |
|    | PSL-15-28   | PDL-15-28  | 28VCT @ 536mA   |
|    | PSL-15-36   | PDL-15-36  | 36VCT @ 417mA   |
|    | PSL-15-48   | PDL-15-48  | 48VCT @ 312mA   |
|    | PSL-15-56   | PDL-15-56  | 56VCT @ 268mA   |
|    | PSL-15-120  | PDL-15-120 | 120VCT @ 125mA  |
| 20 | PSL-20-10   | PDL-20-10  | 10VCT @ 2.0A    |
|    | PSL-20-126  | PDL-20-126 | 12.6VCT @ 1.58A |
|    | PSL-20-16   | PDL-20-16  | 16VCT @ 1.25A   |
|    | PSL-20-20   | PDL-20-20  | 20VCT @ 1.0A    |
|    | PSL-20-24   | PDL-20-24  | 24VCT @ 834mA   |
|    | PSL-20-28   | PDL-20-28  | 28VCT @ 714mA   |
|    | PSL-20-36   | PDL-20-36  | 36VCT @ 555mA   |
|    | PSL-20-48   | PDL-20-48  | 48VCT @ 417mA   |
|    | PSL-20-56   | PDL-20-56  | 56VCT @ 357mA   |
|    | PSL-20-120  | PDL-20-120 | 120VCT @ 167mA  |

Any application, Any requirement, Contact us for our Custom Designs

## The Compact Power Transformer

### Series: PSL & PDL - Chassis Mount with Lead Wires

#### Partial Selection Guide (Continued)

| VA | Part Number |            | Secondary      |
|----|-------------|------------|----------------|
|    | 115V        | 115/230V   |                |
| 30 | PSL-30-10   | PDL-30-10  | 10VCT @ 3.0A   |
|    | PSL-30-12   | PDL-30-12  | 12VCT @ 2.50A  |
|    | PSL-30-16   | PDL-30-16  | 16VCT @ 1.875A |
|    | PSL-30-20   | PDL-30-20  | 20VCT @ 1.50A  |
|    | PSL-30-24   | PDL-30-24  | 24VCT @ 1.25A  |
|    | PSL-30-28   | PDL-30-28  | 28VCT @ 1.071A |
|    | PSL-30-36   | PDL-30-36  | 36VCT @ 833mA  |
|    | PSL-30-48   | PDL-30-48  | 48VCT @ 625mA  |
|    | PSL-30-56   | PDL-30-56  | 56VCT @ 536mA  |
|    | PSL-30-120  | PDL-30-120 | 120VCT @ 250mA |
| 40 | PSL-40-10   | PDL-40-10  | 10VCT @ 4.0A   |
|    | PSL-40-12   | PDL-40-12  | 12VCT @ 3.33A  |
|    | PSL-40-16   | PDL-40-16  | 16VCT @ 2.50A  |
|    | PSL-40-20   | PDL-40-20  | 20VCT @ 2.0A   |
|    | PSL-40-24   | PDL-40-24  | 24VCT @ 1.67A  |
|    | PSL-40-28   | PDL-40-28  | 28VCT @ 1.43A  |
|    | PSL-40-36   | PDL-40-36  | 36VCT @ 1.11A  |
|    | PSL-40-48   | PDL-40-48  | 48VCT @ 834mA  |
|    | PSL-40-56   | PDL-40-56  | 56VCT @ 714mA  |
|    | PSL-40-120  | PDL-40-120 | 120VCT @ 334mA |
| 50 | PSL-50-10   | PDL-50-10  | 10VCT @ 5.0A   |
|    | PSL-50-12   | PDL-50-12  | 12VCT @ 4.17A  |
|    | PSL-50-16   | PDL-50-16  | 16VCT @ 3.125A |
|    | PSL-50-20   | PDL-50-20  | 20VCT @ 2.5A   |
|    | PSL-50-24   | PDL-50-24  | 24VCT @ 2.08A  |
|    | PSL-50-28   | PDL-50-28  | 28VCT @ 1.78A  |
|    | PSL-50-36   | PDL-50-36  | 36VCT @ 1.39A  |
|    | PSL-50-48   | PDL-50-48  | 48VCT @ 1.042A |
|    | PSL-50-56   | PDL-50-56  | 56VCT @ 893mA  |
|    | PSL-50-120  | PDL-50-120 | 120VCT @ 417mA |
| 56 | PSL-56-10   | PDL-56-10  | 10VCT @ 5.6A   |
|    | PSL-56-12   | PDL-56-12  | 12VCT @ 4.66A  |
|    | PSL-56-16   | PDL-56-16  | 16VCT @ 3.15A  |
|    | PSL-56-20   | PDL-56-20  | 20VCT @ 2.80A  |
|    | PSL-56-24   | PDL-56-24  | 24VCT @ 2.33A  |
|    | PSL-56-28   | PDL-56-28  | 28VCT @ 2.00A  |
|    | PSL-56-36   | PDL-56-36  | 36VCT @ 1.56A  |
|    | PSL-56-48   | PDL-56-48  | 48VCT @ 1.17A  |
|    | PSL-56-56   | PDL-56-56  | 56VCT @ 1.0A   |
|    | PSL-56-120  | PDL-56-120 | 120VCT @ 47mA  |

| VA  | Part Number |             | Secondary      |
|-----|-------------|-------------|----------------|
|     | 115V        | 115/230V    |                |
| 75  | PSL-75-10   | PDL-75-10   | 10VCT @ 7.50A  |
|     | PSL-75-12   | PDL-75-12   | 12VCT @ 6.25A  |
|     | PSL-75-16   | PDL-75-16   | 16VCT @ 4.69A  |
|     | PSL-75-20   | PDL-75-20   | 20VCT @ 3.75A  |
|     | PSL-75-24   | PDL-75-24   | 24VCT @ 3.125A |
|     | PSL-75-28   | PDL-75-28   | 28VCT @ 2.68A  |
|     | PSL-75-36   | PDL-75-36   | 36VCT @ 2.08A  |
|     | PSL-75-48   | PDL-75-48   | 48VCT @ 1.56A  |
|     | PSL-75-56   | PDL-75-56   | 56VCT @ 1.34A  |
|     | PSL-75-120  | PDL-75-120  | 120VCT @ 625mA |
| 80  | PSL-80-10   | PDL-80-10   | 10VCT @ 8.0A   |
|     | PSL-80-12   | PDL-80-12   | 12VCT @ 6.66A  |
|     | PSL-80-16   | PDL-80-16   | 16VCT @ 5.00A  |
|     | PSL-80-20   | PDL-80-20   | 20VCT @ 4.00A  |
|     | PSL-80-24   | PDL-80-24   | 24VCT @ 3.33A  |
|     | PSL-80-28   | PDL-80-28   | 28VCT @ 2.86A  |
|     | PSL-80-36   | PDL-80-36   | 36VCT @ 2.22A  |
|     | PSL-80-48   | PDL-80-48   | 48VCT @ 1.67A  |
|     | PSL-80-56   | PDL-80-56   | 56VCT @ 1.43A  |
|     | PSL-80-120  | PDL-80-120  | 120VCT @ 67mA  |
| 100 | PSL-100-10  | PDL-100-10  | 10VCT @ 10A    |
|     | PSL-100-12  | PDL-100-12  | 12VCT @ 8.33A  |
|     | PSL-100-16  | PDL-100-16  | 16VCT @ 6.25A  |
|     | PSL-100-20  | PDL-100-20  | 20VCT @ 5.0A   |
|     | PSL-100-24  | PDL-100-24  | 24VCT @ 4.17A  |
|     | PSL-100-28  | PDL-100-28  | 28VCT @ 3.57A  |
|     | PSL-100-36  | PDL-100-36  | 36VCT @ 2.78A  |
|     | PSL-100-48  | PDL-100-48  | 48VCT @ 2.08A  |
|     | PSL-100-56  | PDL-100-56  | 56VCT @ 1.79A  |
|     | PSL-100-120 | PDL-100-120 | 120VCT @ 833mA |

Any application, Any requirement, Contact us for our Custom Designs