

**Lightning Surge Protectors for  
Electronics Equipment M-RESTER**

**SINGLE MOUNT ADAPTOR**

**Functions & Features**

- Used for mounting the MAKx series surge protectors to wall surface

**MODEL: MBS**

**ORDERING INFORMATION**

- Code number: MBS

**GENERAL SPECIFICATIONS**

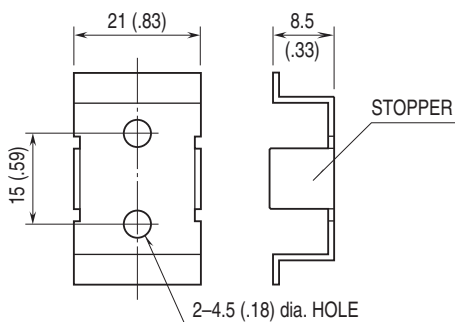
Material: Chromated steel

**INSTALLATION**

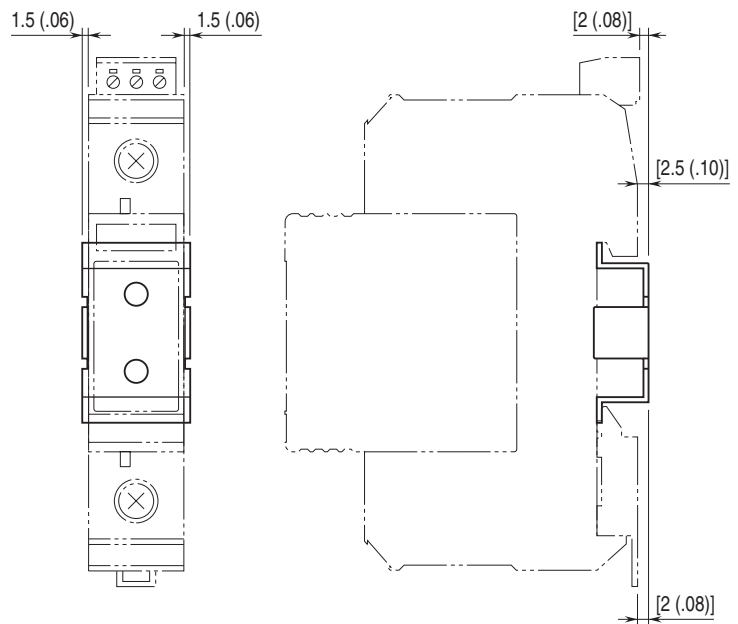
Weight: 10 g (0.35 oz)

**DIMENSIONS unit: mm (inch)**

■ MBS



■ MBS ATTACHED TO THE MAKx



The Single Mount Adaptor cannot be combined with the Wiring Bridge (model: CNB).



Specifications are subject to change without notice.