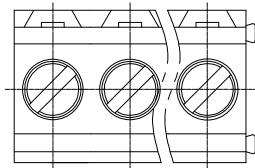
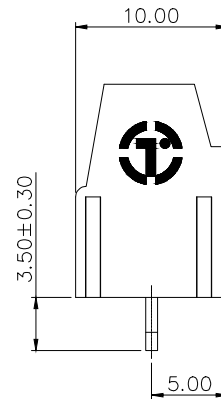
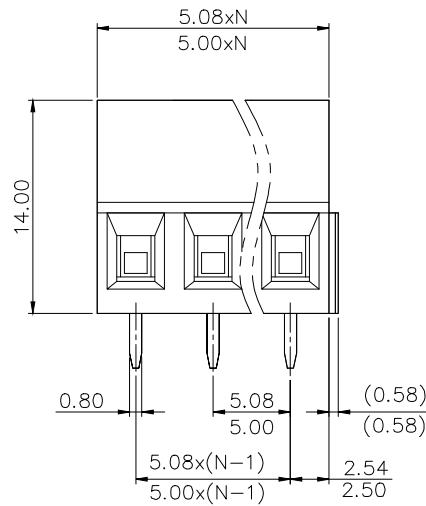
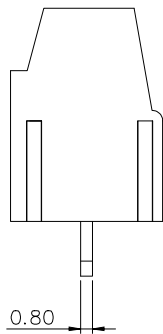


REVISION RECORD				
REV	ECN	DESCRIPTION	DRFT	DATE



- NOTES1:
- UL Standard
- 1.Rated voltage/current : 300V / 20A
  - 2.Torque value : M2.5 , 3.54Lb.in
  - 3.Wire range : 30~12AWG
- IEC Standard
- 1.Rated voltage/current : 250V / 18A
  - 2.Torque value : M2.5 , 0.4N·m
  - 3.Wire range : 1.0~2.5mm<sup>2</sup>



- NOTES2:
- 1.Dimension shall be interpreted per ASME Y14.5-2009
  - 2.Pitch : 7.62mm, Poles : N=02~XXP
  - 3.Stripping length : 6~7mm
  - 4.Withstanding voltage : AC2000V/1Min
  - 5.Operating temperature: -40°C~+105°C
  - 6.Undimensioned tolerances:

Pitch range in mm		Nominal dimension range in mm						-	∩	∇
TO	Over	TO	Over	TO	Over	TO	Over	TO	Over	
6	6	10	10	24	30	60	100	150	150	
±0.15	±0.20	±0.30	±0.30	±0.30	±0.50	±0.70	±1.00	±1.30	±2*	

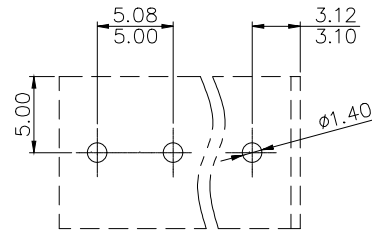
7.RoHS Compliance

TY500 - 5.0/5.08 - XXP - 1Y - 00A (H)

(Series No.) (Pitch) (Poles) (Single Pitch) (Color) (RoHS)

00A-(Standard)

- 1.(Grey)
- 2.(Blue)
- 3.(Black)
- 4.(Green)
- 5.(Orange)
- 6.(Red)
- 7.(Transparent)
- 8.(Yellow)
- 9.(White)



PCB LAYOUT

DETACHED LISTS	PART NO.:	拓宜 (上海) 工控电器设备有限公司			
	APPD: /	NAME: TY500-5.0/5.08-XXP-1Y-00A(H)			
	CHKD: /	TITLE: CUSTOMER DRAWING		REV	DO
	DRFT: /	DRAWING NO.: /		SHEET	1/1
THIRD ANGLE PROJECTION		DO NOT SCALE DRAWING		SCALE	1:1

H  
G  
F  
E  
D  
C  
B  
A

H  
G  
F  
E  
D  
C  
B  
A