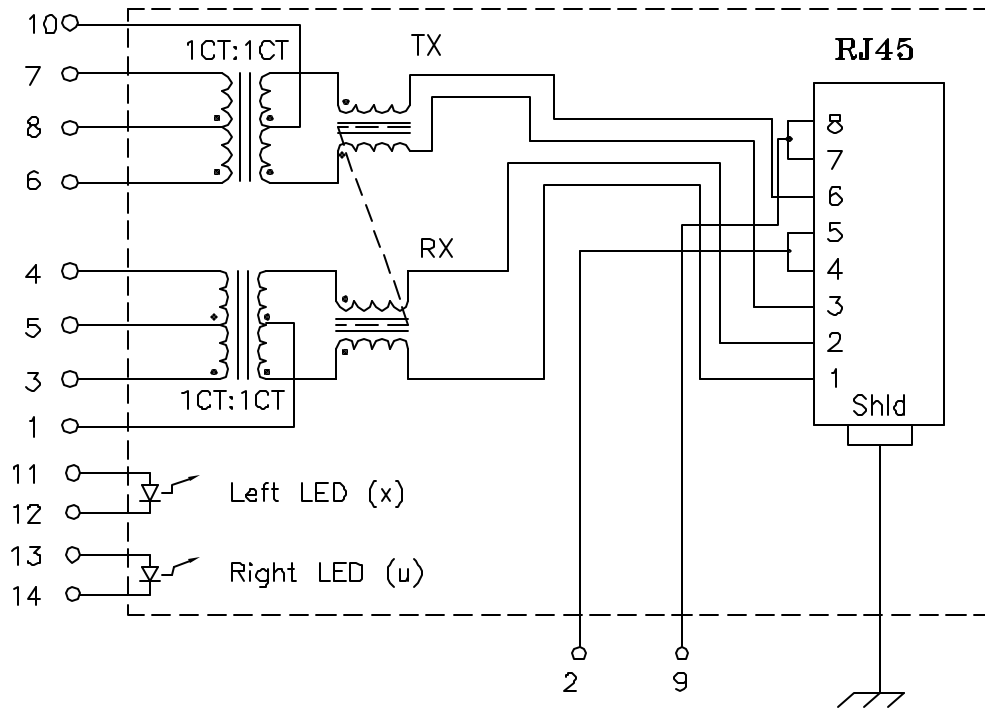


## Schematic:



## Electrical Specifications: @25°C

Isolation Voltage: 1500 Vrms (Input to Output)

Isolation Voltage: 500 Vrms (P7+8+6 to P4+5+3)

Turns Ratio: TX 1CT:1CT ±3% RX 1CT:1CT ±3%

Insertion Loss: 1.2dB Max @1-100 MHz

Return Loss: 1-30MHz 40MHz 50MHz 60-80MHz  
16dB 14dB 13dB 12dB (Min)

Differential to Common Mode Rejection:

30MHz 60MHz 100MHz  
50dB 43dB 35dB (Min)

Cross Talk: 30MHz 60MHz 100MHz  
43dB 37dB 33dB (Min)

DC Current: 350mA

### Notes:

1. Solderability: Leads shall meet MIL-STD-202G, Method 208H for solderability.
2. Flammability: UL94V-0
3. ASTM oxygen index: > 28%
4. Insulation System: Class F 155°C. UL file E151556
5. Operating Temperature Range: All listed parameters are to be within tolerance from -40°C to +85°C
6. Storage Temperature Range: -55°C to +125°C
7. Aqueous wash compatible
8. Electrical and mechanical specifications 100% tested
9. RoHS Compliant Component

Complete the Combo P/N as follows:

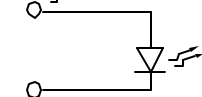
Replace 'x' & 'u' in the part number with one of the LED color letters:

Y=Yellow  
G=Green  
A=Amber  
R=Red

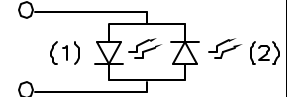
'x' = Left LED Color  
'u' = Right LED Color

C=Green(1)/Amber(2) Bicolor  
D=Amber(1)/Green(2) Bicolor  
M=Green(1)/Yellow(2) Bicolor  
N=Yellow(1)/Green(2) Bicolor  
P=Red(1)/Green(2) Bicolor  
Q=Green(1)/Red(2) Bicolor  
E=Red(1)/Yellow(2) Bicolor  
F=Yellow(1)/Red(2) Bicolor  
H=Amber(1)/Yellow(2) Bicolor  
J=Green(1)/Green(2) Bicolor

Single Color LED:



Bi-Color LED:



DOC REV: A/2

**XFMRs Inc.**  
www.XFMRs.com

Title:

**Single Port Combo w/ LED's**

UNLESS OTHERWISE SPECIFIED  
TOLERANCES:  
.xxx ±0.010

P/N: XFVOIP5U-CTxu1-4M

REV. A

Dimensions in Inch

DWN.

Juan Mao

Aug-22-06

CHK.

YK Liao

Aug-22-06

SHEET 1 OF 2

APP.

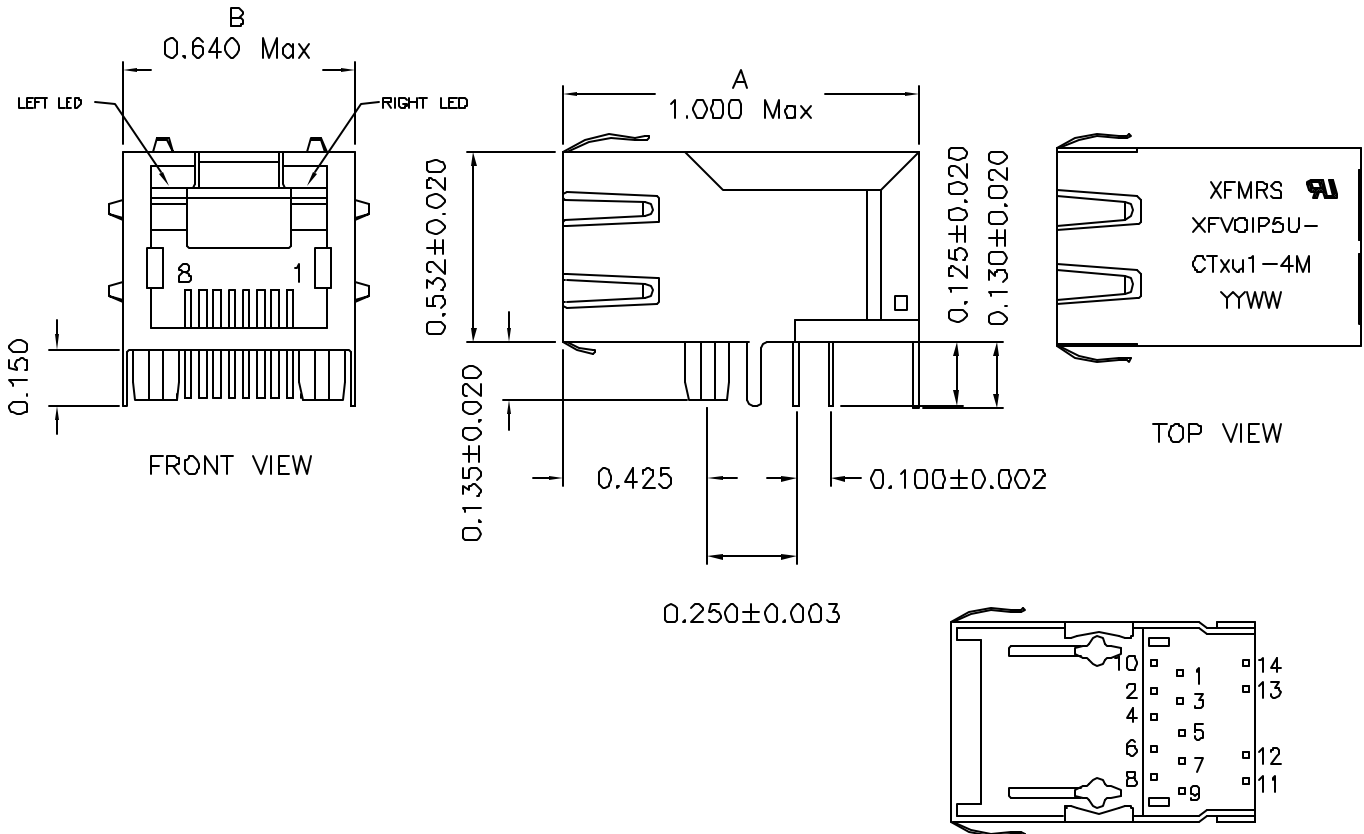
BW

Aug-22-06

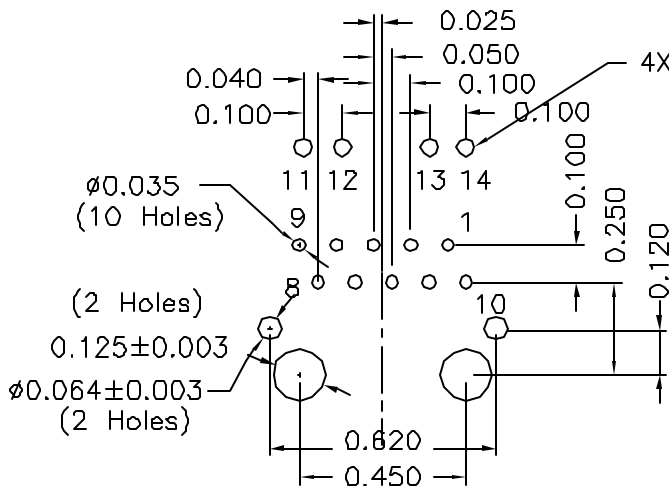
**PROPRIETARY:**

Document is the property of XFMRs Group & is not allowed to be duplicated without authorization.

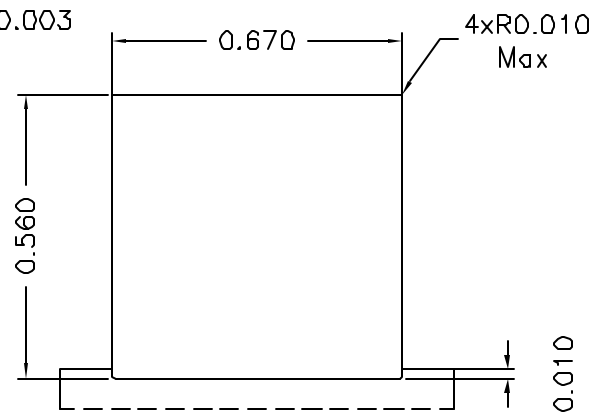
# Mechanical Dimensions:



## Mounting Pattern: (Top View)



## BOTTOM VIEW



## FACE VIEW

## RECOMMENDED PANEL CUTOUT

DOC REV: A/2

**PROPRIETARY:**

Document is the property of XFMR5 Group & is not allowed to be duplicated without authorization.

<b>XFMR5 Inc.</b>		Title: Mechanical Dimensions For CTxu1-4M Series	
UNLESS OTHERWISE SPECIFIED TOLERANCES: .xxx ±0.010 Dimensions in Inch	P/N: XFVOIP5U-CTxu1-4M	REV. A	
	DWN.	Kang Chen	Aug-22-06
	CHK.	YK Liao	Aug-22-06
SHEET 2 OF 2	APP.	BW	Aug-22-06