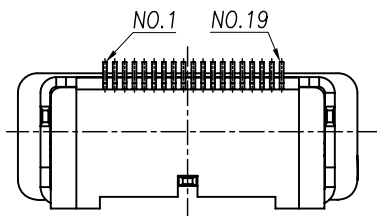
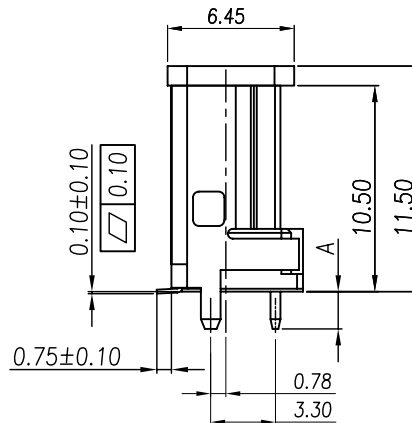
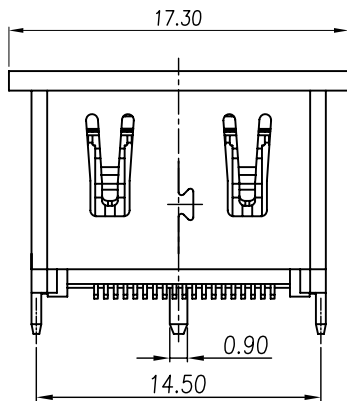


RECOMMENED P.C.B. LAYOUT(T=1.6mm)

TOLERANCES UNLESS OTHERWISE SPEC.±0.05



1.90
1.50
2.70
A

NOTES:

1.) MATERIAL:

- 1-1. HOUSING AND COVER:LCP,UL 94V-0,COLOR:BLACK;
- 1-2. CONTACT:BRASS T=0.20;
- 1-3. SHELL:BRASS OR SPCC T=0.50;

2.) FINISH:

- 2-1. CONTACT: Au PLATING ON CONTACT AREA,(SEE P/N DESCRIBING) MATTE PURE Sn 120u" Min. PLATING ON SOLDER TAILS,50u" MIN. Ni UNDERPLATING OVERALL;
- 2-2. SHELL&SUPPORT: PLATING Ni 80u".

3.) SPECIFICATIONS:

- 3-1. VOLTAGE RATING: 40V
- 3-2. CURRENT RATING: 0.5A
- 3-3. INSULATION RESISTANCE: 100MEG.OHM MIN
- 3-4. CONTACT RESISTANCE: 30 MILL.OHM MAX
- 3-5. OPERATION TEMPERATURE: -20° TO +85°
- 3-6. INSERT FORCE: 44.1N MAX
- 3-7. EXTRACT FORCE: 9.8N MIN
- 3-8. DURABILITY: 10000 CYCLES
- 3-9. CONTACT PULL OUT FORCE:2.99N/PIN



深圳市华宇创精密电子有限公司

TOLERANCE: X.X ±0.30 X.XX ±0.25 X.XXX ±0.15 X: ±2° X.X° ±0.5°	DRAWN BY : 陈一鸣	DATE : 2014-02-23	PART NAME: HDMI A TYPE 180° 立式
	CHECKED BY: 马跃	DATE : 2014-02-23	PART NO. : HVC79-HDMI A19-105
UNIT: mm [inch] SCALE:1:1 SIZE: A4	APPROVED BY:	DATE : 2014-02-23	PART NO. : HVC-HDMI17102115
			SHEET NO. : 1 OF 1