



LCD Module Technical Specification

Final Revision

Type No. **DMC-50747NF-AK**

Approved by (Production

A. Kamon

Checked by (Quality Assurance

Z. Katsun

Checked by (Design Engineering Div.)

S. Matsuoka

Prepared by (Production Div.)

R. Waguri

Table of Contents

1. General Specifications.....	2
2. Electrical Specifications.....	3
3. Optical Specifications.....	7
4. I/O Terminal.....	9
5. Test.....	11
6. Appearance Standards.....	12
7. Code System of Production Lot.....	15
8. Applying Precautions.....	15
9. Precautions Relating Product Handling.....	16
10. Warranty.....	17

Revision History

Rev.	Date	Page	Comment

1. General Specifications

Operating Temp.	: min. 0°C ~ max. 50°C
Storage Temp.	: min. - 20°C ~ max. 70°C
Display Format	: 16 characters × 2 lines
Display Fonts	: 5 × 7 dots (1 character)
Viewing Area	: 60.2 (W) × 16.6 (H) mm
Outline Dimensions	: 64.2 (W) × 27.6 (H) × 2.2 max. (D) mm * Without FPC
Weight	: 10g max.
LCD Type	: NRD- 17533 (F- STN / Black & White- mode / Reflective)
Viewing Angle	: 6:00
Data Transfer	: 8- bit parallel data transfer
Backlight	: None
Additional Spec.	: I/O FPC Type
Drawings	: Dimensional Outline UE- 310783

2. Electrical Specifications

2.1. Absolute Maximum Ratings

$V_{SS}=0V$

Parameter	Symbol	Conditions	Min.	Max.	Units
Supply Voltage (Logic)	$V_{DD}-V_{SS}$	-	-0.3	6.0	V
Supply Voltage (LCD Drive)	$V_{DD}-V_{OUT}$	$V_5=V_{OUT}$	-0.3	16.0	V
Input Voltage	V_I	-	-0.3	$V_{DD}+0.3$	V

2.2. DC Characteristics

$T_a=25^{\circ}C, V_{SS}=0V$

Parameter	Symbol	Conditions	Min.	Typ.	Max.	Units
Supply Voltage (Logic)	$V_{DD}-V_{SS}$	-	2.4	3.0	3.6	V
Supply Voltage (LCD Drive)	$V_{DD}-V_{OUT}$	Shown in 3.1				V
High Level Input Voltage	V_{IH}	$V_{DD}=3.0V\pm 10\%$	$0.8\times V_{DD}$	-	V_{DD}	V
Low Level Input Voltage	V_{IL}	$V_{DD}=3.0V\pm 10\%$	0	-	$0.2\times V_{DD}$	V
Supply Current	I_{DD}	$V_{DD}-V_{SS}=3.0V$ Note.1	-	0.05	0.1	mA

Note.1 : Triple boosting state and checker pattern.

2.3.AC Characteristics

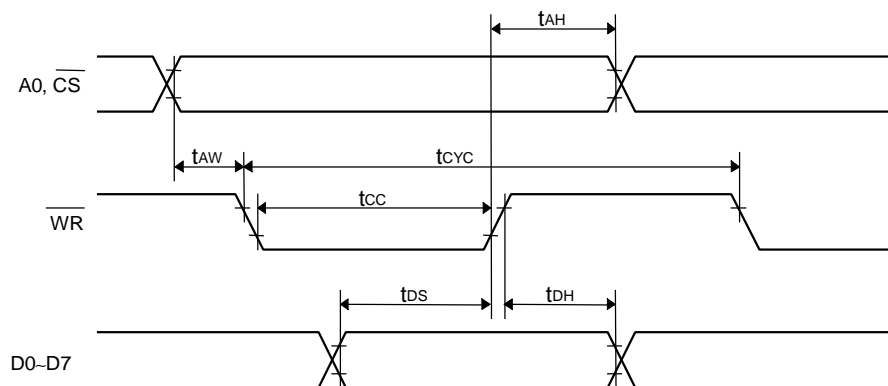
2.3.1.System Bus Write Characteristics 1 (80 series MPU)

$V_{DD}=3.0V\pm 10\%$

Parameter	Symbol	Min.	Max.	Units
System Cycle Time	t_{CYC}	500	-	ns
Address Setup Time	t_{AW}	60	-	ns
Address Hold Time	t_{AH}	30	-	ns
Data Setup Time	t_{DS}	100	-	ns
Data Hold Time	t_{DH}	50	-	ns
Control Pulse Width	t_{CC}	100	-	ns

Note 1 : For the rise and fall of an input signal, set a value not exceeding 25ns.

Note 2 : Every timing is specified on the basis of 20%and 80%of V_{DD} .



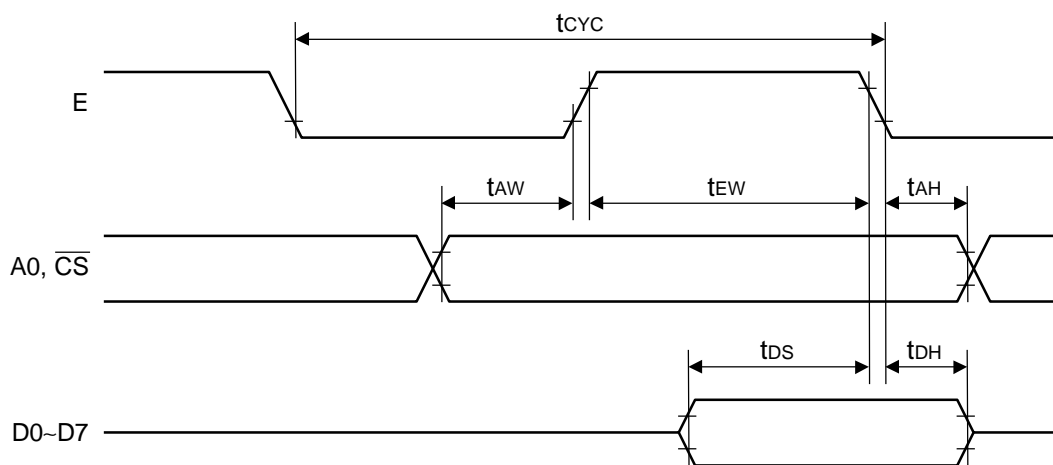
2.3.2. System Bus Write Characteristics 2 (68 series MPU)

$V_{DD}=3.0V\pm 10\%$

Parameter	Symbol	Min.	Max.	Units
System Cycle Time	t_{CYC}	500	-	ns
Address Setup Time	t_{AW}	60	-	ns
Address Hold Time	t_{AH}	30	-	ns
Data Setup Time	t_{DS}	100	-	ns
Data Hold Time	t_{DH}	50	-	ns
Control Pulse Width	t_{CC}	100	-	ns

Note 1 : For the rise and fall of an input signal, set a value not exceeding 25ns.

Note 2 : Every timing is specified on the basis of 20% and 80% of V_{DD} .



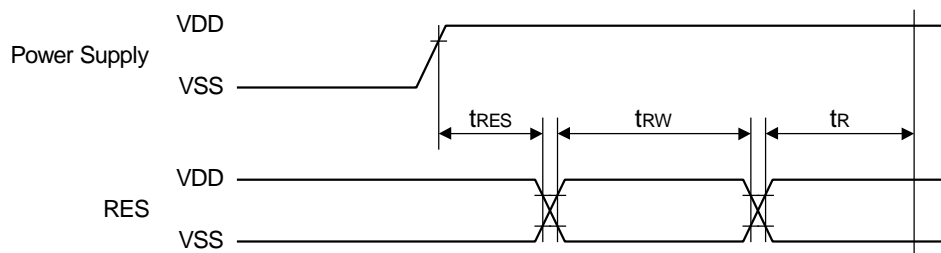
2.3.3.Reset Timing

V_{DD}=3.0V±10%

Parameter	Symbol	Conditions	Min.	Max.	Units
Reset Time	t _R	Note 1	1.0	-	μs
Reset Pulse Width	t _{RW}	Note 2	10	-	μs
Reset Start Time	t _{RES}	Note 2	50	-	ns

Note 1 : t_R (Reset Time) indicates the internal circuit reset completion time from the edge of the RES signal. Accordingly, it usually enters the operating state after t_R.

Note 2 : Specifies the minimum pulse width of the RES signal. It is reset when a signal having the pulse width greater than t_{RW} is entered.



All signal timings are based on 20% and 80% of V_{DD} signals.

3.Optical Specifications

3.1.LCD Driving Voltage

Parameter	Symbol	Conditions	Min.	Typ.	Max.	Units
Recommended LCD Driving Voltage Note 1	V _{DD} - V _{OUT}	Ta= 0°C	-	-	7.3	V
		Ta=25°C	6.2	6.5	6.8	V
		Ta=50°C	5.7	-	-	V

Note 1 : Voltage (Applied actual waveform to LCD Module) for the best contrast. The range of minimum and maximum shows tolerance of the operating voltage. The specified contrast ratio and response time are not guaranteed over the entire range.

3.2.Optical Characteristics

Ta=25°C, 1/ 16 Duty, 1/ 5 Bias, V_D=6.5V (Note 4), θ= 0°, φ= - °

Parameter	Symbol	Conditions	Min.	Typ.	Max.	Units
Contrast Ratio Note 1	CR	θ= 0°, φ= - °	-	7	-	
Viewing Angle		Shown in 3.3				
Response Time	Rise Note 2	T _{ON}	-	50	100	ms
	Decay Note	T _{OFF}	-	85	170	ms

Note 1 : Contrast ratio is defined as follows.

$$CR = L_{OFF} / L_{ON}$$

L_{ON} : Luminance of the ON segments

L_{OFF}: Luminance of the OFF segments

Note 2 : The time that the luminance level reaches 90%of the saturation level from 0%when ON signal is applied.

Note 3 : The time that the luminance level reaches 10%of the saturation level from 100%when OFF signal is applied.

Note 4 : Definition of Driving Voltage V_D

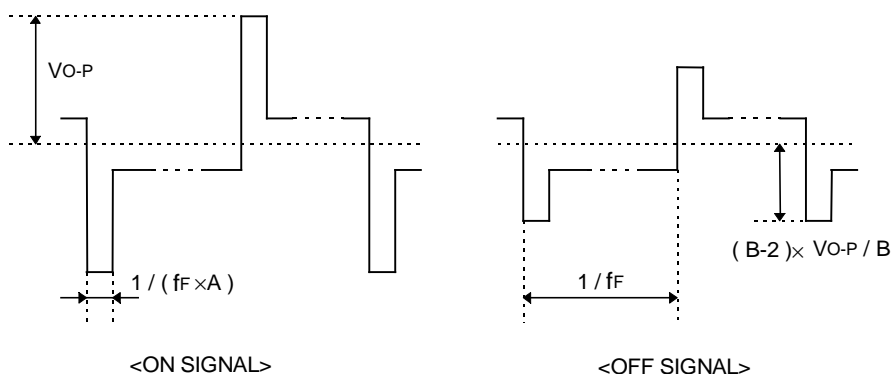
Assuming that the typical driving waveforms shown below are applied to the LCD Panel at 1/ A Duty - 1/ B Bias (A : Duty Number, B : Bias Number).

Driving voltage V_D is defined as follows.

$$V_D = (V_{th1} + V_{th2}) / 2$$

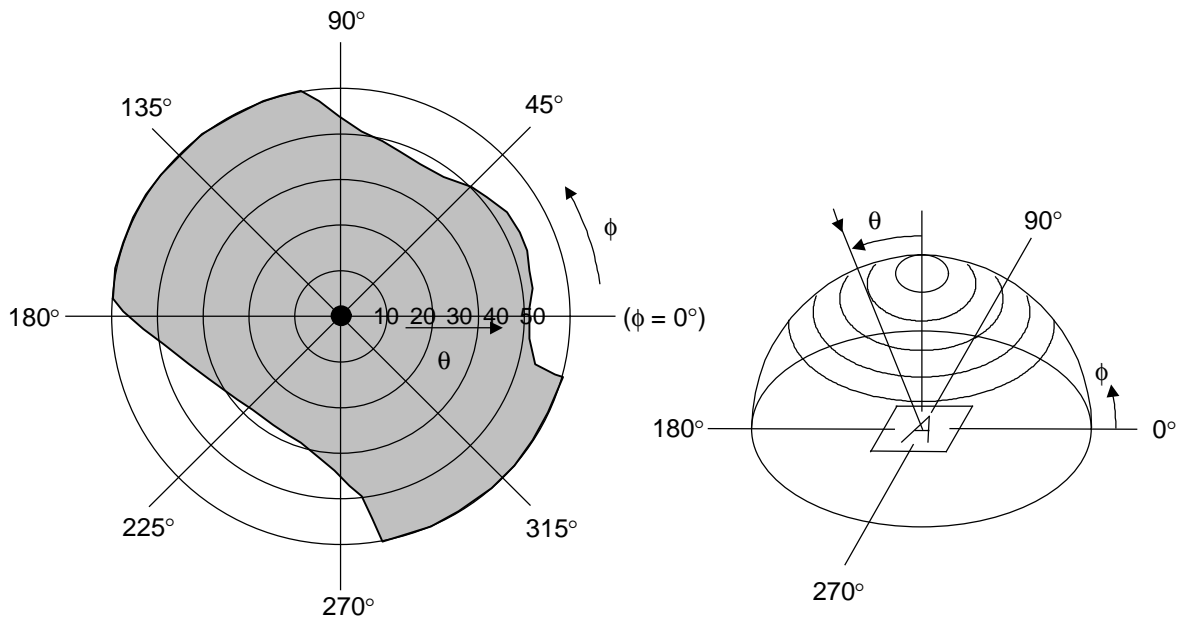
V_{th1} :The voltage V_{O-P} that should provide 50%of the saturation level in the luminance at the segment which the ON signal is applied to.


V_{th2} :The voltage V_{O-P} that should provide 50%of the saturation level in the luminance at the segment which the OFF signal is applied to.



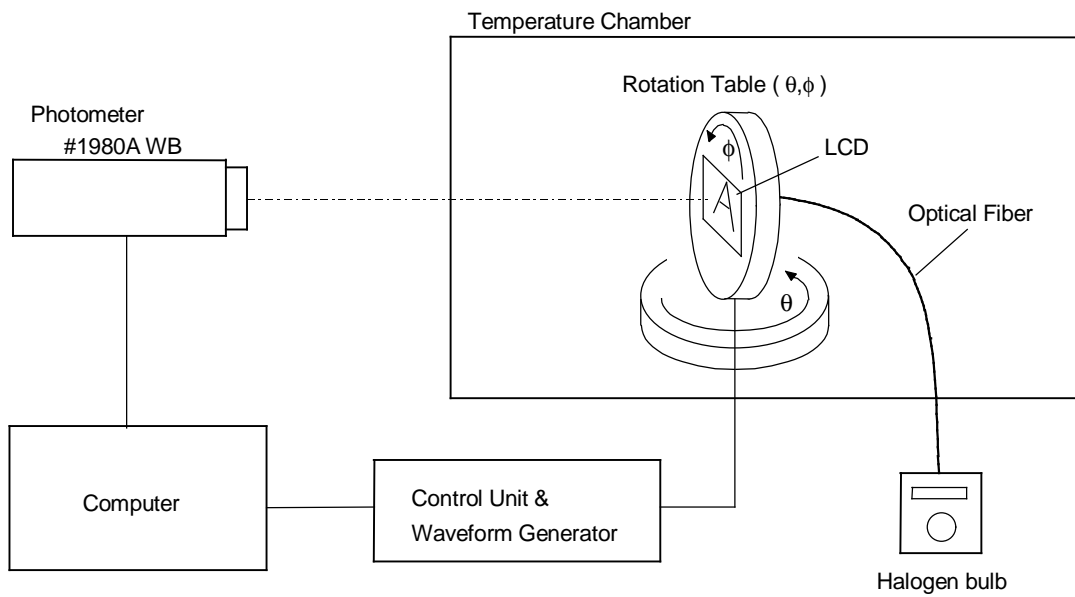
3.3. Definition of Viewing Angle and Optimum Viewing Area

- * Point ● shows the point where contrast ratio is measured. : $\theta = 0^\circ, \phi = -^\circ$
- * Driving condition : 1/16 Duty, 1/5 Bias, $V_D = 6.5V, f_F = 100Hz$



* Area  shows typ. $CR \geq 2$

3.4. System Block Diagram



4.I/ O Terminal

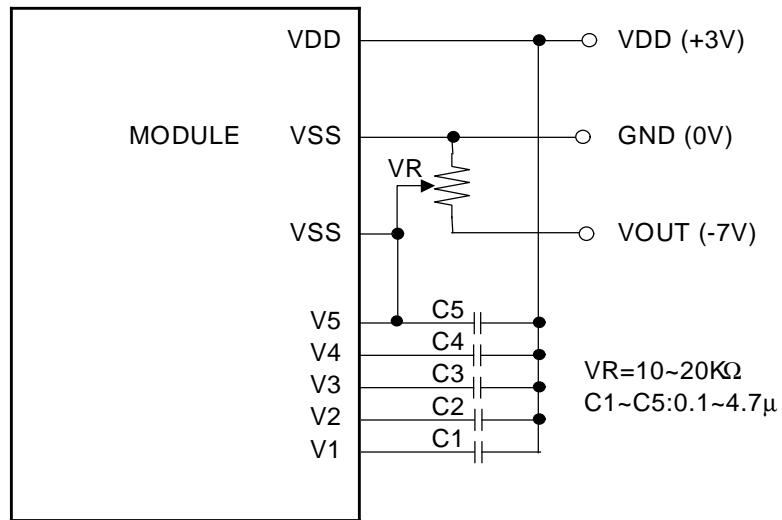
4.1.Pin Assignment

CN1

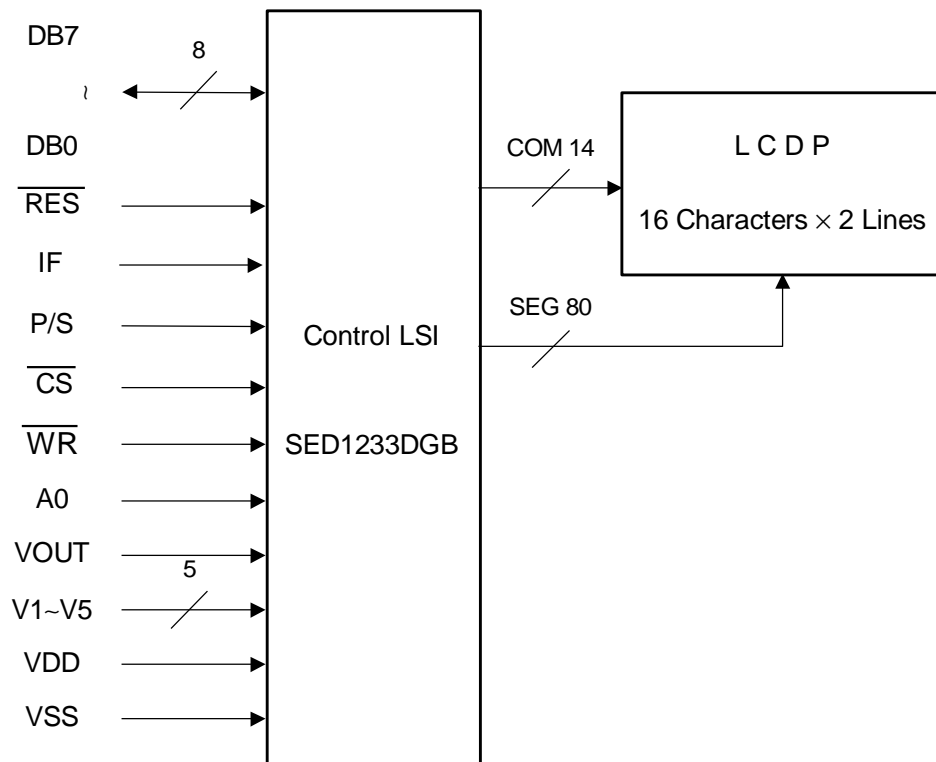
No.	Symbol	Level	Function
1	A0	H / L	H : D0~D7 are display data. L : D0~D7 are a command.
2	$\overline{\text{WR}}$ (E)	H / L	80 family MPU : WR Signal Input L : Active 68 family MPU : Enable Clock Input
3	$\overline{\text{CS}}$	H / L	Chip select signal. L : Active
4	D7	H / L	Data Bus Line
5	D6	H / L	Data Bus Line
6	D5	H / L	Data Bus Line
7	D4	H / L	Data Bus Line
8	D3	H / L	Data Bus Line / Non-connection at 4- bit operation
9	D2	H / L	Data Bus Line / Non-connection at 4- bit operation
10	D1	H / L	Data Bus Line / Non-connection at 4- bit operation
11	D0	H / L	Data Bus Line / Non-connection at 4- bit operation
12	V _{DD}	-	Supply Voltage + 3V
13	V _{SS}	-	Supply Voltage 0V (GND)
14	V ₅	-	Connect to V _{DD} and a capacitor of 0.1~4.7 μ F(Cf.chap.4.2)
15	V ₄	-	Connect to a capacitor of 0.1~4.7 μ F (Cf.chap.4.2)
16	V ₃	-	Connect to a capacitor of 0.1~4.7 μ F (Cf.chap.4.2)
17	V ₂	-	Connect to a capacitor of 0.1~4.7 μ F (Cf.chap.4.2)
18	V ₁	-	Connect to a capacitor of 0.1~4.7 μ F (Cf.chap.4.2)
19	V _{OUT}	-	Supply Voltage (LCD Drive)
20	V _{SS}	-	Supply Voltage 0V (GND)
21	V _{DD}	-	Supply Voltage + 3V
22	P/ S	H / L	H : Parallel Data Transfer, L : Serial Data Transfer
23	IF	H / L	Interface Data Length Select.H : 8- bit Parallel,L : 4- bit Parallel
24	RES	H / L	In case of a 68 series MPU,initialization can be performed by changing RES/ ∇ . In case of an 80 series MPU,initialization can be performed by changing ∇ . A reset operation is performed by edge sensing of the RES signal. An interfase type for the 68/ 80 seriees MPU is selected by Input level after initialization. "L" : 68 series MPU interface. "H" : 80 series MPU interface.

4.2.Example of Power Supply

It is recommended to apply a potentiometer for the contrast adjust due to the tolerance of the driving voltage and its temperature dependence.



4.3.Block Diagram



5. Test

No change on display and in operation under the following test condition.

Conditions: Unless otherwise specified, tests will be conducted under the following condition.

Temperature: $20\pm 5^{\circ}\text{C}$

Humidity: $65\pm 5\% \text{RH}$

tests will be not conducted under functioning state.

No.	Parameter	Conditions	Notes
1	High Temperature Operating	$50^{\circ}\text{C}\pm 2^{\circ}\text{C}$, 96hrs (operation state)	1
2	Low Temperature Operating	$0^{\circ}\text{C}\pm 2^{\circ}\text{C}$, 96hrs (operation state)	2
3	High Temperature Storage	$70^{\circ}\text{C}\pm 2^{\circ}\text{C}$, 96hrs	3
4	Low Temperature Storage	$-20^{\circ}\text{C}\pm 2^{\circ}\text{C}$, 96hrs	2,3
5	Damp Proof Test	$40^{\circ}\text{C}\pm 2^{\circ}\text{C}$, 90~95%RH, 96hrs	2,3
6	Heat Shock Test	-25°C (30min) \rightarrow 25°C (5min) \rightarrow 70°C (30min) \rightarrow 25°C (5min) 5 cycles	2
7	Vibration Test	Total fixed amplitude : 1.5mm Vibration Frequency : 10~55Hz One cycle 60seconds to 3directions of X,Y,Z Each 15 minutes	4

Note 1 : It should be checked at the actual driving condition under the high temperature.

Note 2 : No dew condensation to be observed.

Note 3 : The function test shall be conducted after 4 hours storage at the normal temperature and humidity after removed from the test chamber.

Note 4 : Vibration test will be conducted to the product itself without putting it in a container.

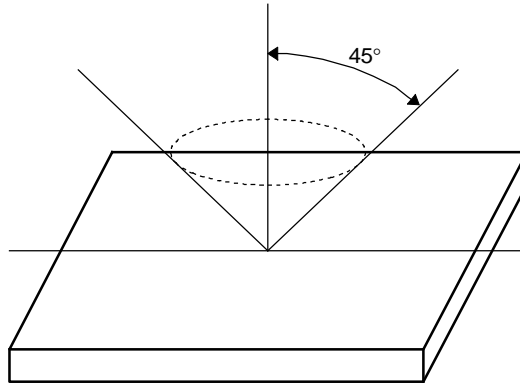
6.Appearance Standards

6.1.Inspection conditions

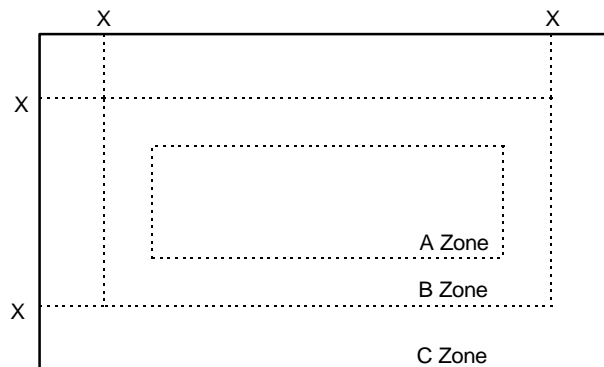
The LCD shall be inspected under 40W white fluorescent light.

The distance between the eyes and the sample shall be more than 30cm.

All directions for inspecting the sample should be within 45° against perpendicular line.



6.2.Definition of applicable Zones



X : Maximum Seal Line

A Zone : Active display area

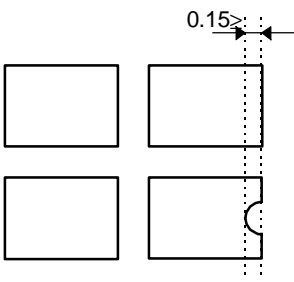
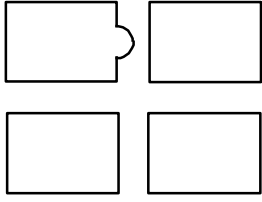
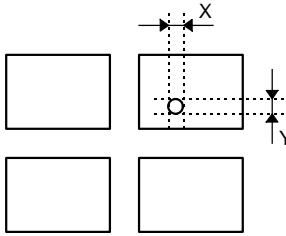
B Zone : Out of active display area ~ Maximum seal line

C Zone : Rest parts

A Zone + B Zone = Validity viewing area

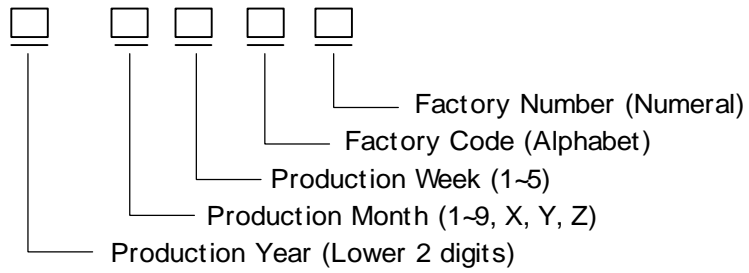
6.3.Standards

No.	Parameter	Criteria																																																										
1	Black and White Spots, Foreign	<p>(1) Round Shape</p> <table border="1" data-bbox="608 322 1369 611"> <thead> <tr> <th rowspan="2">Zone Dimension (mm)</th> <th colspan="3">Acceptable Number</th> </tr> <tr> <th>A</th> <th>B</th> <th>C</th> </tr> </thead> <tbody> <tr> <td>$D \leq 0.1$</td> <td>*</td> <td>*</td> <td>*</td> </tr> <tr> <td>$0.1 < D \leq 0.2$</td> <td>5</td> <td>5</td> <td>*</td> </tr> <tr> <td>$0.2 < D \leq 0.3$</td> <td>0</td> <td>1</td> <td>*</td> </tr> <tr> <td>$0.3 < D$</td> <td>0</td> <td>0</td> <td>*</td> </tr> </tbody> </table> <p>$D = (\text{Long} + \text{Short}) / 2$ * : Disregard</p> <p>(2) Line Shape</p> <table border="1" data-bbox="608 703 1369 1041"> <thead> <tr> <th colspan="2">Zone</th> <th colspan="3">Acceptable Number</th> </tr> <tr> <th>X(mm)</th> <th>Y(mm)</th> <th>A</th> <th>B</th> <th>C</th> </tr> </thead> <tbody> <tr> <td>-</td> <td>$0.02 \geq W$</td> <td>*</td> <td>*</td> <td>*</td> </tr> <tr> <td>$2.0 \geq L$</td> <td>$0.03 \geq W$</td> <td>3</td> <td>3</td> <td>*</td> </tr> <tr> <td>$1.0 \geq L$</td> <td>$0.04 \geq W$</td> <td>1</td> <td>2</td> <td>*</td> </tr> <tr> <td>$1.0 \geq L$</td> <td>$0.05 \geq W$</td> <td>0</td> <td>2</td> <td>*</td> </tr> <tr> <td>-</td> <td>$0.05 < W$</td> <td colspan="3">In the same way (1)</td> </tr> </tbody> </table> <p>X : Length Y : Width * : Disregard</p> <p>Total defects shall not exceed 5.</p>	Zone Dimension (mm)	Acceptable Number			A	B	C	$D \leq 0.1$	*	*	*	$0.1 < D \leq 0.2$	5	5	*	$0.2 < D \leq 0.3$	0	1	*	$0.3 < D$	0	0	*	Zone		Acceptable Number			X(mm)	Y(mm)	A	B	C	-	$0.02 \geq W$	*	*	*	$2.0 \geq L$	$0.03 \geq W$	3	3	*	$1.0 \geq L$	$0.04 \geq W$	1	2	*	$1.0 \geq L$	$0.05 \geq W$	0	2	*	-	$0.05 < W$	In the same way (1)		
Zone Dimension (mm)	Acceptable Number																																																											
	A	B	C																																																									
$D \leq 0.1$	*	*	*																																																									
$0.1 < D \leq 0.2$	5	5	*																																																									
$0.2 < D \leq 0.3$	0	1	*																																																									
$0.3 < D$	0	0	*																																																									
Zone		Acceptable Number																																																										
X(mm)	Y(mm)	A	B	C																																																								
-	$0.02 \geq W$	*	*	*																																																								
$2.0 \geq L$	$0.03 \geq W$	3	3	*																																																								
$1.0 \geq L$	$0.04 \geq W$	1	2	*																																																								
$1.0 \geq L$	$0.05 \geq W$	0	2	*																																																								
-	$0.05 < W$	In the same way (1)																																																										
2	Air Bubbles (between glass & polarizer)	<table border="1" data-bbox="608 1184 1369 1473"> <thead> <tr> <th rowspan="2">Zone Dimension (mm)</th> <th colspan="3">Acceptable Number</th> </tr> <tr> <th>A</th> <th>B</th> <th>C</th> </tr> </thead> <tbody> <tr> <td>$D \leq 0.15$</td> <td>*</td> <td>*</td> <td>*</td> </tr> <tr> <td>$0.15 < D \leq 0.3$</td> <td>2</td> <td>3</td> <td>*</td> </tr> <tr> <td>$0.3 < D \leq 0.5$</td> <td>1</td> <td>2</td> <td>*</td> </tr> <tr> <td>$0.5 < D \leq 1.0$</td> <td>0</td> <td>1</td> <td>*</td> </tr> </tbody> </table> <p>* : Disregard</p> <p>Total defects shall not exceed 3.</p>	Zone Dimension (mm)	Acceptable Number			A	B	C	$D \leq 0.15$	*	*	*	$0.15 < D \leq 0.3$	2	3	*	$0.3 < D \leq 0.5$	1	2	*	$0.5 < D \leq 1.0$	0	1	*																																			
Zone Dimension (mm)	Acceptable Number																																																											
	A	B	C																																																									
$D \leq 0.15$	*	*	*																																																									
$0.15 < D \leq 0.3$	2	3	*																																																									
$0.3 < D \leq 0.5$	1	2	*																																																									
$0.5 < D \leq 1.0$	0	1	*																																																									

No.	Parameter	Criteria
3	The Shape of Dot	<p>(1) Dot Shape (with Dent)</p>  <p>As per the sketch of left hand.</p> <p>(2) Dot Shape (with Projection)</p>  <p>Should not be connected to next dot.</p> <p>(3) Pin Hole</p>  <p>$(X+Y) / 2 \leq 0.2\text{mm}$ (Less than 0.1mm is no counted.)</p> <p>Total defects shall not exceed 5.</p>
4	Polarizer	Not to be conspicuous defects.
5	Polarizer Dirts	If the stains are removed easily from LCDP surface, the module not defective.
6	Color Variation	Not to be conspicuous defects.

7.Code System of Production Lot

The production lot of module is specified as follows.



8.Applying Precautions

Please contact us when questions and/ or new problems not specified in this specifications arise.

9.Precautions Relating Product Handling

The Following precautions will guide you in handling our product correctly.

- 1) Liquid crystal display devices
 1. The liquid crystal display device panel used in the liquid crystal display module is made of plate glass. Avoid any strong mechanical shock. Should the glass break handle it with care
 2. The polarizer adhering to the surface of the LCD is made of a soft material. Guard against scratching it.
- 2) Care of the liquid crystal display module against static electricity discharge.
 1. When working with the module, be sure to ground your body and any electrical equipment you may be using. We strongly recommend the use of anti static mats (made of rubber), to protect work tables against the hazards of electrical shock.
 2. Avoid the use of work clothing made of synthetic fibers. We recommend cotton clothing or other conductivity- treated fibers.
 3. Slowly and carefully remove the protective film from the LCD module, since this operation can generate static electricity.
- 3) When the LCD module alone must be stored for long periods of time:
 1. Protect the modules from high temperature and humidity.
 2. Keep the modules out of direct sunlight or direct exposure to ultraviolet rays.
 3. Protect the modules from excessive external forces.
- 4) Use the module with a power supply that is equipped with an overcurrent protector circuit, since the module is not provided with this protective feature.
- 5) Do not ingest the LCD fluid itself should it leak out of a damaged LCD module. Should hands or clothing come in contact with LCD fluid, wash immediately with soap.
- 6) Conductivity is not guaranteed for models that use metal holders where solder connections between the metal holder and the PCB are not used. Please contact us to discuss appropriate ways to assure conductivity.
- 7) For models which use CFL:
 1. High voltage of 1000V or greater is applied to the CFL cable connector area. Care should be taken not to touch connection areas to avoid burns.
 2. Protect CFL cables from rubbing against the unit and thus causing the wire jacket to become worn.
 - 3.The use of CFLs for extended periods of time at low temperatures will significantly shorten their service life.
- 8) For models which use touch panels:
 - 1.Do not stack up modules since they can be damaged by components on neighboring modules.
 - 2.Do not place heavy objects on top of the product. This could cause glass breakage.
- 9) For models which use COG,TAB,or COF:
 - 1.The mechanical strength of the product is low since the IC chip faces out unprotected from the rear.
Be sure to protect the rear of the IC chip from external forces.
 - 2.Given the fact that the rear of the IC chip is left exposed, in order to protect the unit from electrical damage, avoid installation configurations in which the rear of the IC

chip runs the risk of making any electrical contact.

10) Models which use flexible cable, heat seal, or TAB:

1. In order to maintain reliability, do not touch or hold by the connector area.
2. Avoid any bending, pulling, or other excessive force, which can result in broken connections.

10. Warranty

This product has been manufactured to your company's specifications as a part for use in your company's general electronic products. It is guaranteed to perform according to delivery specifications. For any other use apart from general electronic equipment, we cannot take responsibility if the product is used in medical devices, nuclear power control equipment, aerospace equipment, fire and security systems, or any other applications in which there is a direct risk to human life and where extremely high levels of reliability are required. If the product is to be used in any of the above applications, we will need to enter into a separate product liability agreement.

1. We cannot accept responsibility for any defect, which may arise from additional manufacturing of the product (including disassembly and reassembly), after product delivery.
2. We cannot accept responsibility for any defect, which may arise after the application of strong external force to the product.
3. We cannot accept responsibility for any defect, which may arise due to the application of static electricity after the product has passed your company's acceptance inspection procedures.
4. When the product is in CFL models, CFL service life and brightness will vary according to the performance of the inverter used, leaks, etc. We cannot accept responsibility for product performance, reliability, or defect, which may arise.
5. We cannot accept responsibility for intellectual property of a third party, which may arise through the application of our product to your assembly with exception to those issues relating directly to the structure or method of manufacturing of our product.
6. Optrex will not be held responsible for any quality guarantee issue for defect products judged as Optrex-origin longer than 2 (two) years from Optrex production or 1 (one) year from Optrex, Optrex America, Optrex Europe, Display LC delivery which ever comes later.