

TOLERANCE UNLESS SPECIFIED = .XXX = +/- .005 .XX = +/- .015 FRACTIONS = +/- .032

PRODUCTION TESTS

FP30-85.DC2

URNS RATIO = 100%

DC RESISTANCE IN OHMS	1-2 = 3-4 = 765 TO 930
	5-6 = 7-8 = 26.5 TO 32.5

MAX EXCITATION CURRENT = .010 A
 APPLY = 230V 60HZ, 1-4 (TIE 2+3)

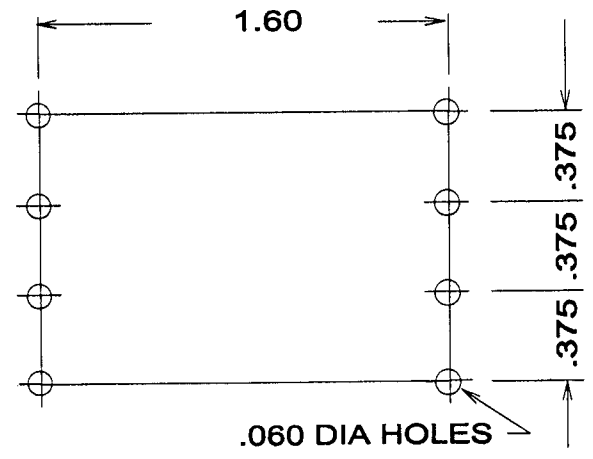
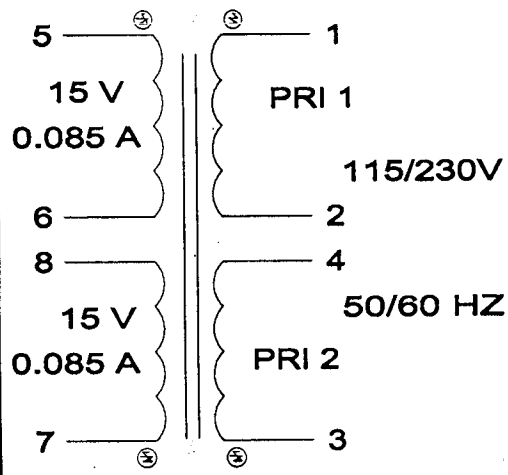
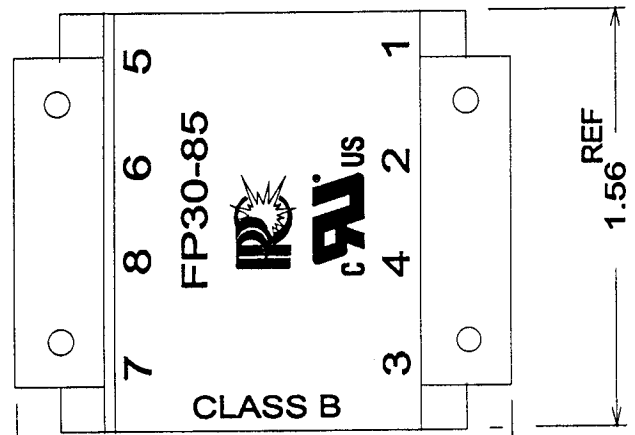
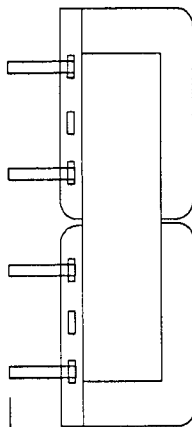
OPEN CIRCUIT VOLTAGE
 EACH PRI = 114.5 TO 115.5 V
 EACH SEC = 19.5 TO 20.3 V

HIPOT = 2000V PRI'S TO SEC'S
 1500V PRI'S, SEC'S TO CORE
 500V P-P, S-S

IMPREGNATION NOTES = PREHEAT 2 HRS
 PINS TO FREE OF IMPREGNATION

FINAL ASSEMBLY NOTES

EIA-17-YYWW
 XXX B10



METHOD 1 X 1

MARKING ON

PRINTED WRAPPER
 DATE & SITE CODE ON DECAL



PART NO.: FP30-85