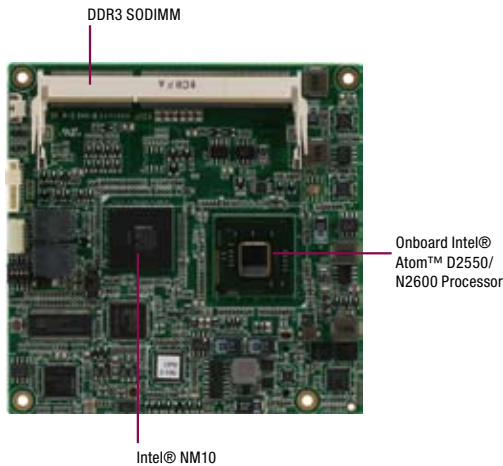


COM-CV Rev. B

COM Express Type 6 CPU Module with Onboard Intel® Atom™ D2550/N2600 Processor

06

COM Express CPU Modules



Features

- Onboard Intel® Atom™ D2550/N2600 Processor
- Intel® NM10
- SODIMM DDR3 1066 Memory, Max. 4 GB
- Intel® 82583V Gigabit Ethernet
- CRT, Up to 24-bit Dual-Channel LVDS, LCD, HDMI
- SATA 3.0Gb/s x 2, USB3.0 x 2, USB2.0 x 8
- PCI-Express[x1] x 4
- COM Express Compact Module, 95mm x 95mm, Pin-out Type 6, COM.0 Rev. 2.0
- -40°C ~ 85°C Wide Temperature Range Available for Selected Model

Specifications

System	
Form Factor	COM Express compact module, Pin-out Type 6, COM. 0 Rev. 2.0
Processor	Intel® Atom™ D2550/N2600 processor D2550: 1.86GHz N2600: 1.6GHz N2800: 1.8GHz (optional)
System Memory	204-pin DDR3 SODIMM x1, Max. 4GB (DDR3 800/1066) D2550/N2800 800/1066 MHz: Max. 4GB N2600 800MHz: Max.2GB
Chipset	Intel® NM10
I/O Chipset	Intel® NM10
Ethernet	Intel® 82583V, 10/100/1000Base-TX
TPM	—
BIOS	AMI BIOS SPI type, 4MB ROM
EEPROM	Atmel® AT25080B(8kb), save BIOS and Configuration data (Optional)
Wake On Lan	Yes
Watchdog Timer	ITE8516E-L, 255 levels
H/W status Monitoring	Supports CPU temperature monitoring
Expansion interface	PCI-Express [x1] x 4, LPC bus x 1, SMBus x 1
Power Requirement	+12V only 2-pin wafer for RTC battery
Power Consumption	Intel® Atom™ D2550 1.86 GHz, DDR3 2GB 1.12A@+12V, w/ECB-917T Intel® Atom™ N2600 1.6 GHz, DDR3 2GB 1.08A@+12V, w/ECB-917T
Board Size	3.74" (L) x 3.74"(W) (95mm x 95mm)
Gross Weight	0.55 lb (0.25 kg)
Operating Temperature	32°F ~ 140°F (0°C ~ 60°C), -40°F ~ 185°F (-40°C ~ 85°C) for WiTAS 2
Storage Temperature	-40°F ~ 185°F (-40°C ~ 85°C)
Operating Humidity	0% ~ 90% relative humidity, non-condensing
MTBF (Hours)	81,000
Display	
	Supports CRT/LCD/HDMI simultaneous/ dual view displays
Chipset	Intel® Atom™ D2550/N2600 processor integrated DirectX 9, OpenGL *3.0 Integrated hardware MPEG2 decoder
Memory	Shared system memory up to 256MB/ DVMT 4.0
Resolution	Up to 1920 x 1200 for CRT Up to 1920 x 1080 for 18/24-bit LCD (D2550) Up to 1366 x 768 for 18/24-bit LCD (N2600)
LCD Interface	Up to 24-bit dual-channel LVDS
HDMI	Supports HDMI x1
DisplayPort	Supports DisplayPort™ x 1



I/O	
Storage	SATA 3.0Gb/s x 2
Serial Port	UART x 2 (TX/RX only)
USB	USB2.0 x 8 USB3.0 x 2
Audio	High definition audio
GPIO	Up to 4 in and 4 out

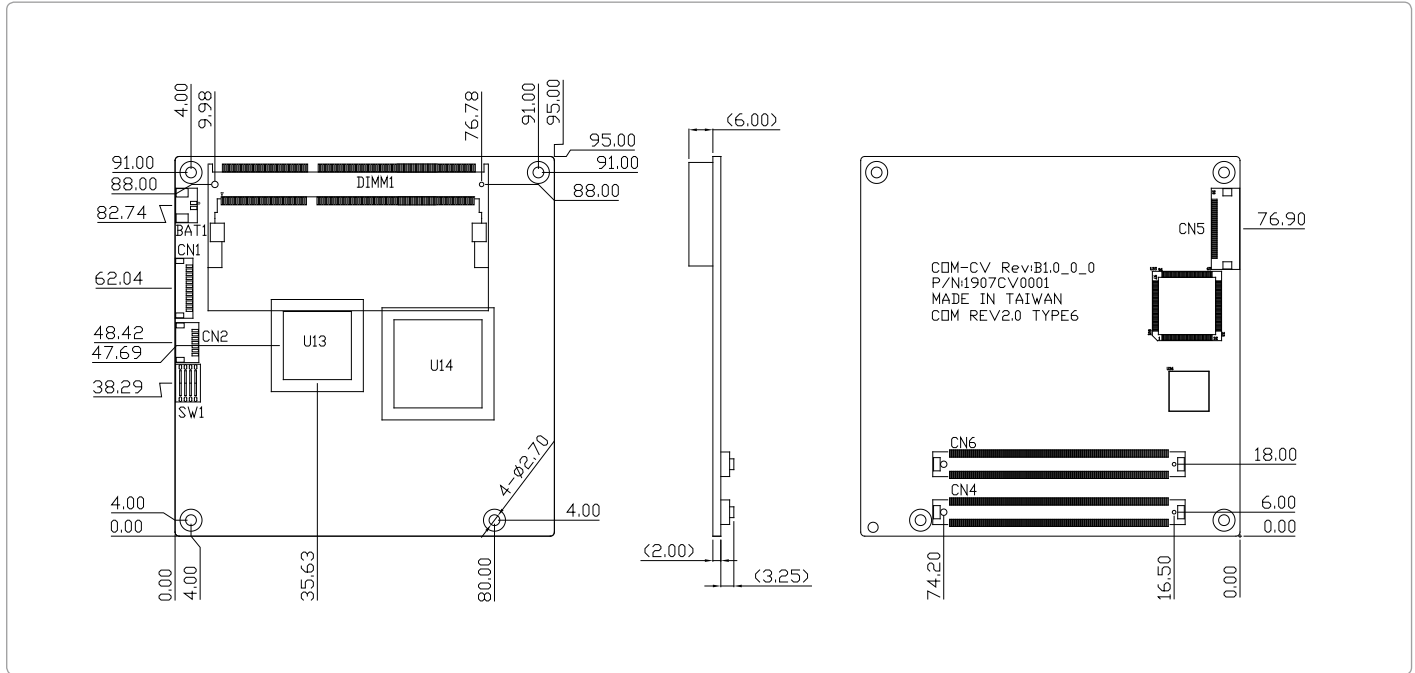
Packing List

- M2.5 Screw x 4
- Product CD
- COM-CV Rev. B

COM-CV Rev. B

Dimension

Unit: mm



Ordering Information

Part Number	COM Express Type	CPU	Memory	Display	LVDS	Storage	LAN	USB	UART	Expansion Slot	Power	Temp
COM-CV-B10-02	6 (COM.0 Rev.2.0)	Intel® Atom™ D2550, B3/1.86GHz	DDR3 SODIMM x 1 Max.4GB	CRT, LVDS, HDMI, DP	24-bit Dual Channel	SATA2 x 2	GbE x 1	USB3.0 x 2 USB2.0 x 8	2 (TX/RX)	PCI-E [x1] x 4	12V	0°C ~ 60°C
COM-CV-B10-03	6 (COM.0 Rev.2.0)	Intel® Atom™ N2600, B3/1.6GHz	DDR3 SODIMM x 1 2GB	CRT, LVDS, HDMI, DP	24-bit Dual Channel	SATA2 x 2	GbE x 1	USB3.0 x 2 USB2.0 x 8	2 (TX/RX)	PCI-E [x1] x 4	12V	0°C ~ 60°C
COM-CVW2-B10-01	6 (COM.0 Rev.2.0)	Intel® Atom™ N2600, B3/1.6GHz	DDR3 SODIMM x 1 2GB	CRT, LVDS, HDMI, DP	24-bit Dual Channel	SATA2 x 2	GbE x 1	USB3.0 x 2 USB2.0 x 8	2 (TX/RX)	PCI-E [x1] x 4	12V	WITAS 2 (-40°C ~ 85°C)

Optional Accessories

- TF-ECB-917T-A10**
 COM Express Type 6 Carrier Board, Mini-ITX, Dual Gigabit Ethernet, 2.1CH Audio, 4 COM, USB3.0, PCI-Express, AT/ATX, Rev. A1.0
- TF-PER-A116**
 Heat Spreader, For COM-CV
- TF-PER-A117**
 Passive Heatsink, For COM-CV, To be used with Heat Spreader
- TF-PER-A118**
 CPU Cooler, 35W, For COM Express Compact Size, to be used with Heat Spreader