

PART NAME

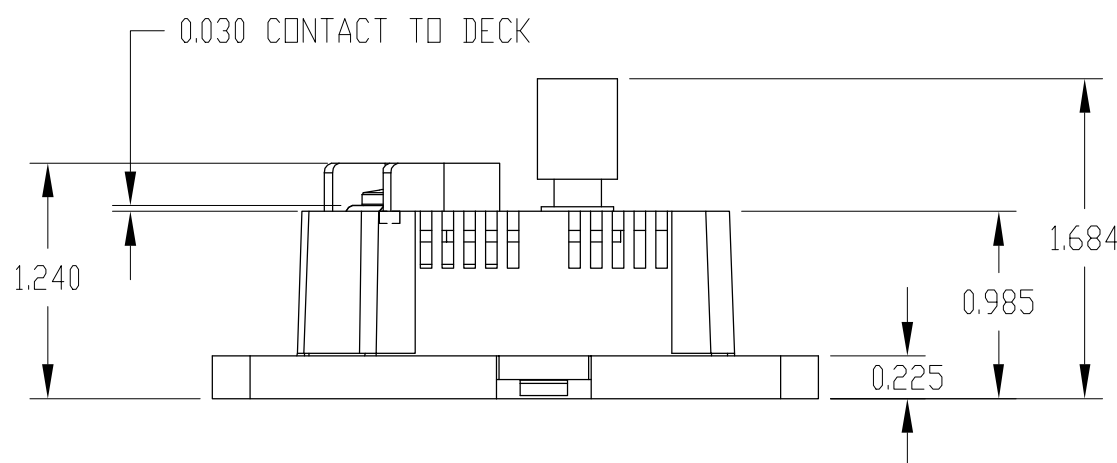
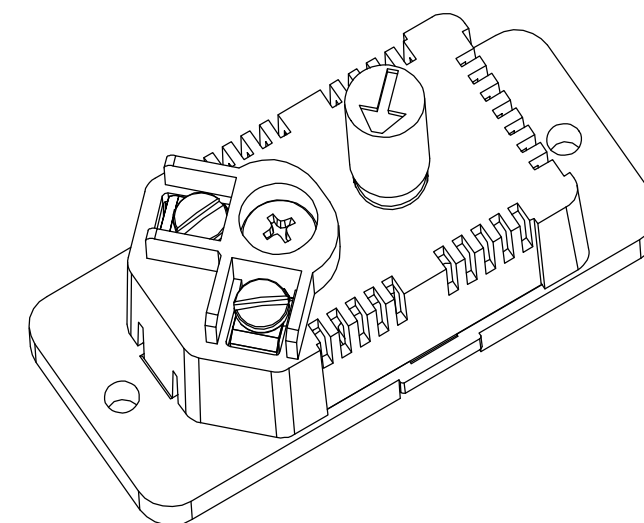
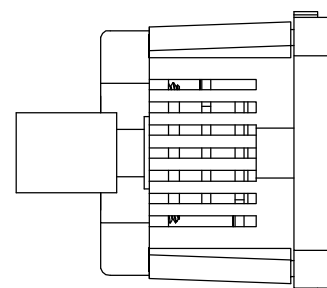
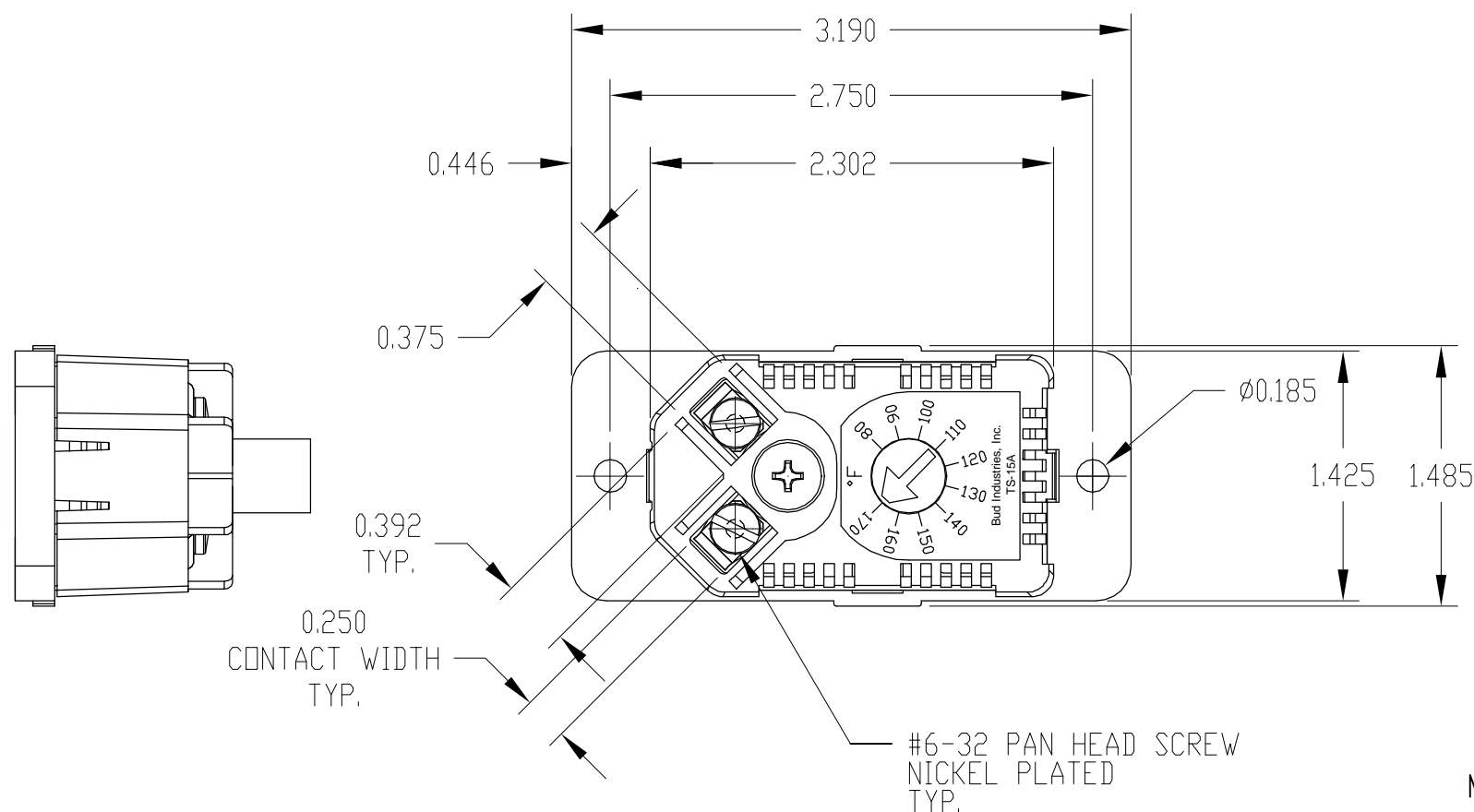
TEMPERATURE CONTROLLER

PART No.

TS-15A

REV. DATE

1-8-10



MATERIALS:

Body and Base: Glass Filled Nylon, Black, UL94-5VA
 Contacts: Nickel Plated Steel
 Temperature Controller: Bi-Metallic
 Pointer Knob: ABS Plastic, Natural

UL FILE NUMBER: E332047

SPECIFICATIONS:

Normally Open, Close on temperature rise
 Temperature Range: 80°-170°F
 Switching Difference (hysteresis): 10°F ± 5°F (6°C ± 3K)
 Max. Tolerance: ±8°F (4K)
 Service Life: 100,000 cycles at 120 VAC, 30,000 cycles at 240 VAC
 Switching Capacity (max. load): 15A resistive at 120 VAC, 10A resistive at 240 VAC
 Connection: 2-pole terminal, #6 ring or spade. Use #6 pan head screws only (provided).
 Weight: 2.1 oz (59.5g)
 Operating temperature: -4 to 250°F (-20 to 121°C)
 Storage temperature: -49 to 250°F (-45 to 121°C)
 Protection Type: IP30
 Scale on Housing: 80 to 170°F