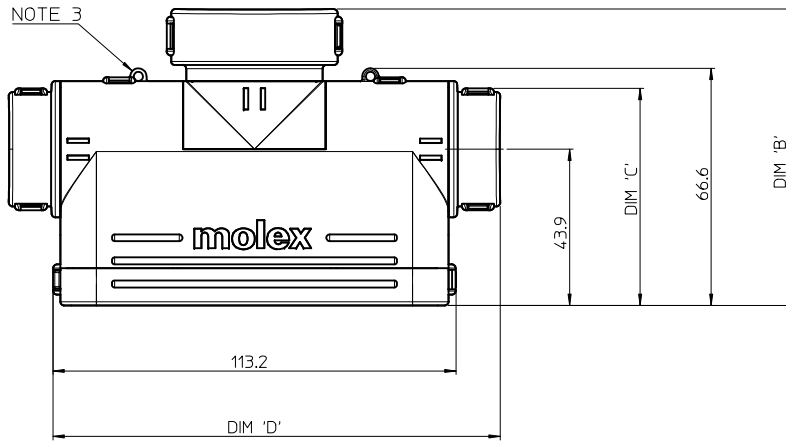
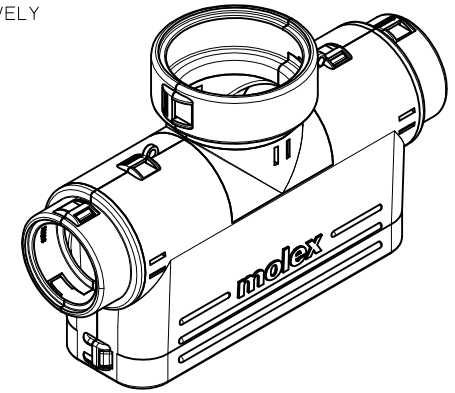


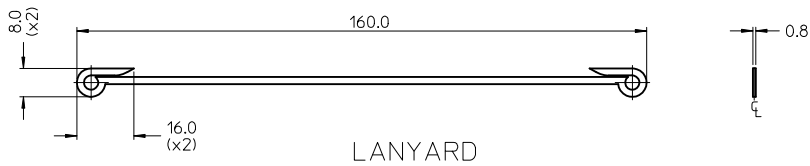
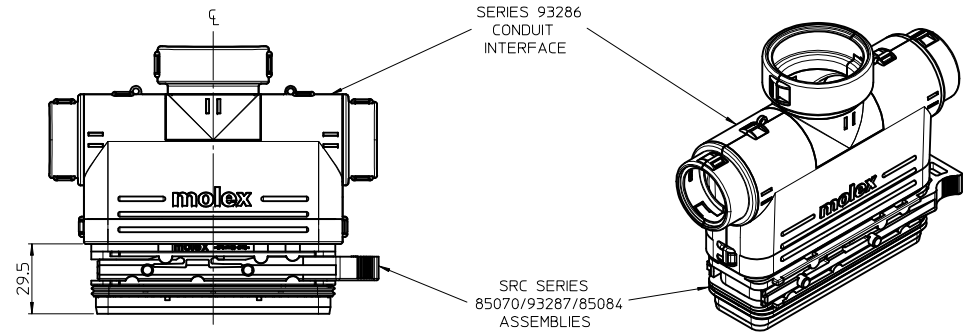
NOTES:

1. MATERIAL (CONDUIT INTERFACE AND LANYARD): POLYAMIDE, GLASS FILLED, COLOUR: BLACK
2. PACKAGING INFORMATION: PART NUMBERS LISTED ON SHEET 2 COMPRISE OF TWO SEPARATE MATING PARTS, UNCLIPPED AND CONNECTED AS ONE UNIT WITH A LANYARD IN A SEALED BAG
3. FEATURE FOR LANYARD CONNECTION
4. MATES WITH: NC & NW FORMAT CONDUIT  
MOLEX SERIES 85070, 93287, 85084, REFERENCE SALES DRAWINGS  
SD-85070-300, SD-93287-001 AND SD-85084-700 RESPECTIVELY
5. IP RATING: IP40



OUTLET SIZE DIMENSION	FEMALE			MALE
	28	32	40	28
A	32.1	38.3	46.8	28.2
B	77.5	77.5	83.3	77.6
C	70.0	64.1	68.5	58.0
D	125.6	125.6	131.4	125.7

MATING COMPONENTS VIEW

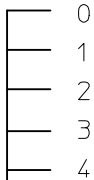


LANYARD

ORIGINAL RELEASE EC NO: E2010-0437 DRWN: JOCONNOR 2010/07/01 CHKD: MSHANAHAN 2012/02/08 APPR: EFOLAN 2012/02/15	QUALITY SYMBOLS	GENERAL TOLERANCES (UNLESS SPECIFIED)	DIMENSION STYLE	SCALE	DESIGN UNITS	THIRD ANGLE PROJECTION	
	▽=0	mm INCH	MM ONLY	1:1	METRIC		
	▽=0	4 PLACES ± --- ± --- 3 PLACES ± --- ± --- 2 PLACES ± 0.25 ± --- 1 PLACE ± 0.5 ± ---	DRAWN BY DATE JOCONNOR 2010/07/01	TITLE	SRC CONDUIT INTERFACE		
		ANGULAR ± 2 °	CHECKED BY DATE MSHANAHAN 2012/02/08	MATERIAL NO. SEE SHEET 2			
	DRAFT WHERE APPLICABLE MUST REMAIN WITHIN DIMENSIONS	APPROVED BY DATE EFOLAN 2012/02/15	MOLEX INCORPORATED		DOCUMENT NO.	SHEET NO.	
A			SD-93286-001		1 OF 2		
			THIS DRAWING CONTAINS INFORMATION THAT IS PROPRIETARY TO MOLEX INCORPORATED AND SHOULD NOT BE USED WITHOUT WRITTEN PERMISSION				

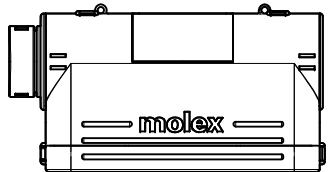
10 9 8 7 6 5 4 3 2 1

\*  
T



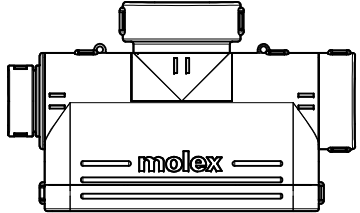
A/B	OUTLET
0	BLANK
1	Ø28 MALE
2	Ø28 FEMALE
3	Ø32 FEMALE
4	Ø40 FEMALE

EXAMPLE:



93286-0010:  
SIDE EXITS: Ø28 MALE & BLANK = 01  
CENTRE EXIT: BLANK = 0

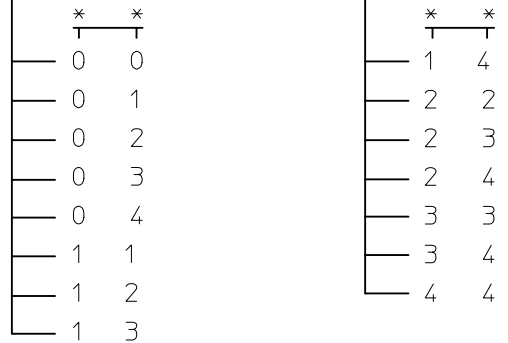
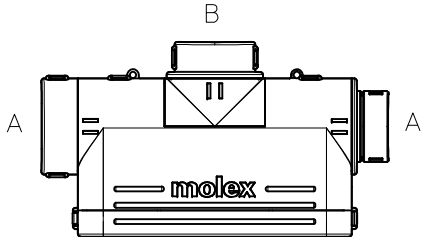
EXAMPLE:



93286-0134:  
SIDE EXITS: Ø28 MALE & Ø32 FEMALE = 13  
CENTRE EXIT: Ø40 FEMALE = 4

93286-0\*\*\*

CENTRE OUTLET (B)



SIDE OUTLETS (A - A)

OUTLET SIZE FORMAT CONVERSION CHART	
NC	NW
28	23
32	29
40	36

NOTES:  
1. ALL OUTLET SIZES BASED ON UK NC SIZING FORMAT  
2. MALE OUTLETS AVAILABLE IN SIZE NC 28 ONLY

SEE SHEET ONE  
EC NO: E2010-0437  
DRWN: JOCONNOR 2010/07/01  
CHKD: MSHANAHAN 2012/02/08  
APPR: EFOLAN 2012/02/15

QUALITY SYMBOLS  
▽=0  
▽=0

GENERAL TOLERANCES (UNLESS SPECIFIED)

	mm	INCH
4 PLACES	± ---	± ---
3 PLACES	± ---	± ---
2 PLACES	± 0.25	± ---
1 PLACE	± 0.5	± ---
ANGULAR ± 2 °		

DRAFT WHERE APPLICABLE MUST REMAIN WITHIN DIMENSIONS

DIMENSION STYLE  
MM ONLY

DRAWN BY	DATE
JOCONNOR	2010/07/01
CHECKED BY	DATE
MSHANAHAN	2012/02/08
APPROVED BY	DATE
EFOLAN	2012/02/15

MATERIAL NO.  
SEE CHART

SCALE  
1:2

DESIGN UNITS  
METRIC

THIRD ANGLE PROJECTION

TITLE  
SRC CONDUIT INTERFACE

MOLEX INCORPORATED

DOCUMENT NO. SD-93286-001

SHEET NO. 2 OF 2

THIS DRAWING CONTAINS INFORMATION THAT IS PROPRIETARY TO MOLEX INCORPORATED AND SHOULD NOT BE USED WITHOUT WRITTEN PERMISSION

9 8 7 6 5 4 3 2 1