

PLEASE CHECK WWW.MOLEX.COM FOR LATEST PART INFORMATION

Part Number: [0014562021](#)
Status: **Active**
Overview: [cgrid_sl_products](#)
Description: 2.54mm (.100") Pitch SL™ Insulation Displacement Connector Assembly, Female, Single Row, Version A, Nonpolarized, Wire Size 24, 0.38µm (15µ") Gold (Au), 2 Circuits

Documents:

3D Model	Product Specification PS-70400 (PDF)
Drawing (PDF)	RoHS Certificate of Compliance (PDF)
Product Specification PS-46543-001 (PDF)	

Agency Certification

CSA	LR19980
UL	E29179

General

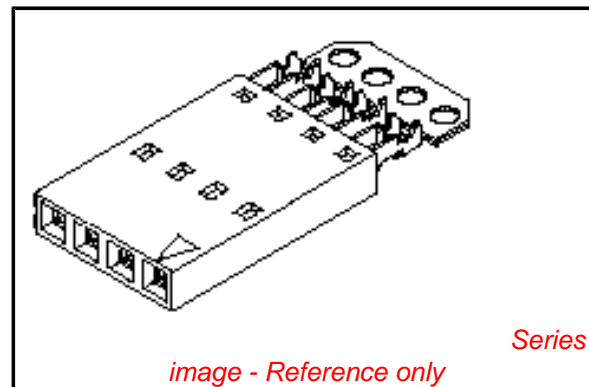
Product Family	Ribbon Cable / Wire Trap Connectors
Series	70400
Comments	Terminals Preloaded
Component Type	Housing
Glow-Wire Compliant	No
Overview	cgrid_sl_products
Product Name	SL™

Physical

Circuits (Loaded)	2
Color - Resin	Black
Durability (mating cycles max)	50
Entry Angle	Vertical
Flammability	94V-0
Lock to Mating Part	None
Material - Metal	Phosphor Bronze
Material - Plating Mating	Gold
Material - Plating Termination	Tin
Material - Resin	Polyester Alloy
Number of Rows	1
PCB Retention	None
Packaging Type	Tube
Pitch - Mating Interface (in)	0.100 In
Pitch - Mating Interface (mm)	2.54 mm
Plating min: Mating (µin)	15
Plating min: Mating (µm)	0.375
Plating min: Termination (µin)	75
Plating min: Termination (µm)	1.875
Polarized to Mating Part	No
Stackable	Yes
Surface Mount Compatible (SMC)	N/A
Temperature Range - Operating	-40°C to +105°C
Termination Interface: Style	IDT or Pierce
Wire Insulation Diameter	1.35mm (.053") max.
Wire Size AWG	24
Wire/Cable Type	Discrete Wire, Ribbon Cable

Electrical

Current - Maximum per Contact	3A
Voltage - Maximum	250V



EU RoHS

ELV and RoHS Compliant
REACH SVHC Not Reviewed
Halogen-Free Status Not Reviewed

China RoHS



Need more information on product environmental compliance?

Email productcompliance@molex.com
 For a multiple part number RoHS Certificate of Compliance, [click here](#)

Please visit the [Contact Us](#) section for any non-product compliance questions.

Search Parts in this Series

[70400Series](#)

Mates With

Single Row headers and housings, [8624](#) , [70203](#) , [42375](#) , [42377](#)

Use With

[7307](#) Tinned 28AWG, [7767](#) Topcoat 28AWG, [24241](#) Tinned 26AWG, [8996](#) Topcoat 26AWG, [24226](#) Tinned 24AWG, [8997](#) Topcoat 24AWG, [24369](#) High Flex 26AWG, [24389](#) High Flex 24AWG

Application Tooling | FAQ

Tooling specifications and manuals are found by selecting the products below. Crimp Height Specifications are then contained in the Application Tooling Specification document.

Global

Description	Product #
Hawk Semi- Automatic Discrete	0011201337

Material Info

Old Part Number

704000526

Reference - Drawing Numbers

Product Specification

PS-46543-001, PS-70400

Sales Drawing

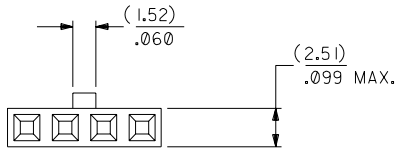
DSD70400-DGN, SD-70400-010,
SDA-70400-0526-0549

Wire Terminator for SL - Rebuilt US*	
Hawk™ Ribbon	<u>0623003000</u>
Cable Terminator for SL without Break-off	
Hawk™ Semi- Automatic Discrete	<u>0623004900</u>
Wire Terminator for SL - Rebuilt CE Approved*	
Hawk™ Flat Flex	<u>0623005200</u>
Cable Terminator for SL with Break-off	
Hawk™ Ribbon	<u>0623005300</u>
Cable Terminator with for SL Break-off	
IDT Discrete	<u>0621000700</u>
Handtool Module for SL™	
Hawk™ Semi- Automatic Discrete	<u>0623003100</u>
Wire Terminator for SL	

This document was generated on 05/20/2010

PLEASE CHECK WWW.MOLEX.COM FOR LATEST PART INFORMATION

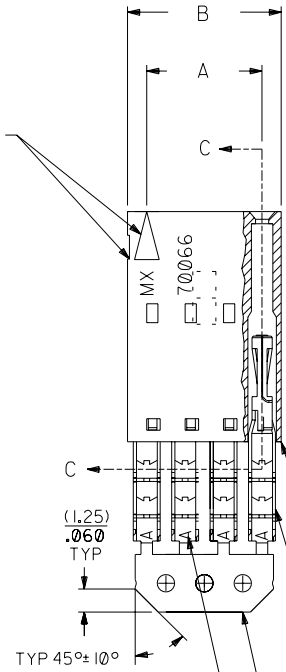
OPTION E



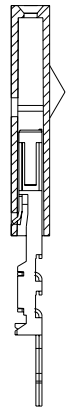
NOTES:

- 1) TO BE USED WITH (24) AWG. STRANDED WIRE WITH (1.35)/.053 DIA. MAX. INSULATION.
- 2) SEE CHART FOR CIRCUIT SIZES.
- 3) STANDARD PACKAGING PER PK-70400-0001. OPTIONAL PACKAGING MAY BE AVAILABLE, REQUEST DWG. PK-70400
- 4) PARTS STACKABLE END TO END ON (2.54)/.100 CENTERS.
- 5) REFER TO PRODUCT SPECIFICATION: PS-70400.
- 6) SEE DWG. SDA-70400-**** (SHT. 5) FOR OPTIONAL HOUSING DETAILS.
- 7) 4 CIRCUIT SHOWN.
- 8) TO MATE WITH MOLEX PART NO.'S.: A-70390-****, A-70392-****, A-70374-****, A-70376-****, A-70542-****, A-70552-****, A-70544-****, A-70554-****, A-70546-****, A-70556-****, A-70558-****.
- 9) 2 CIRCUIT ASSEMBLIES SUPPLIED AS GROUPED PAIRS.

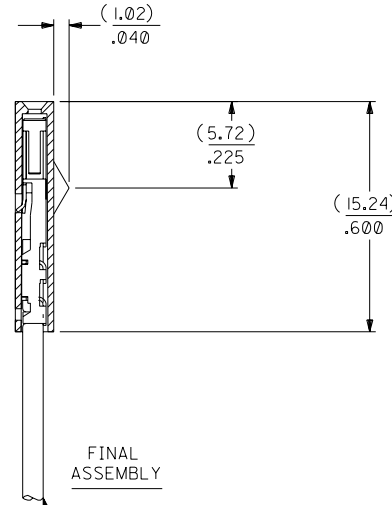
CIRCUIT NO. 1
SLOT OR ARROW



SECTION C-C



PRE-LOADED ASSEMBLY



FINAL ASSEMBLY

WIRE (SEE NOTE 1)

HOUSING PART NO. 70066-****
MATERIAL: G.F. POLYESTER, 94V-0

TERMINAL PART NO. 70028-****
MATERIAL: PHOSPHOR BRONZE
PLATING PER ES-88-***

TIN - .000150 MIN. TIN OVER
.000050 MIN. NICKEL PLATE.

I.D. SLOT CODE TO WIRE GAUGE CHART

I.D. SLOT CODE	WIRE GAUGE
A	24 AWG.

PLATING CODE (STRIPE ON CARRIER STRIP)

PLATING	COLOR
TIN	NONE

*THE PRIMARY SHIPPING CARTON WILL BE LABELED "COMPLIANT TO ROHS DIRECTIVE 2002/95/EC AND ELV ANNEX II OF DIRECTIVE 2000/53/EC". CARTONS WITHOUT THIS LABEL MAY CONTAIN PRODUCT WITH LEAD.

CKT. SIZE	DIMENSIONS (INCH)		EDP. NO.	ENG. NO.
	A	B		
2	(2.54) .100	(5.05) .199		
3	(5.08) .200	(7.59) .299		
4	(7.62) .300	(10.13) .399		
5	(10.16) .400	(12.67) .499		
6	(12.70) .500	(15.21) .599		
7	(15.24) .600	(17.75) .699		
8	(17.78) .700	(20.29) .799		
9	(20.32) .800	(22.83) .899		
10	(22.86) .900	(25.37) .999		
11	(25.54) 1.000	(27.91) 1.099		
12	(27.94) 1.100	(30.45) 1.199		
13	(30.48) 1.200	(32.99) 1.299		
14	(33.02) 1.300	(35.53) 1.399		
15	(35.56) 1.400	(38.07) 1.499		
16	(38.01) 1.500	(40.61) 1.599		
17	(40.64) 1.600	(43.15) 1.699		
18	(43.18) 1.700	(45.69) 1.799		
19	(45.72) 1.800	(48.23) 1.899		
20	(48.26) 1.900	(50.77) 1.999		
21	(50.80) 2.000	(53.31) 2.099		
22	(53.34) 2.100	(55.85) 2.199		
23	(55.88) 2.200	(58.39) 2.299		
24	(58.42) 2.300	(60.93) 2.399		
25	(60.96) 2.400	(63.47) 2.499		

LT.	REVISIONS	LT.	REVISIONS

DIMENSIONS SHOWN (METRIC) INCH	
3 PLACE ± .010	---
2 PLACE ± .014 ± 0.25	---
1 PLACE --- ± 0.35	---

REVISIONS		REVISIONS	

DRWG. BY	CHK'D. BY	SCALE	4 : 1
APPR'D. BY			

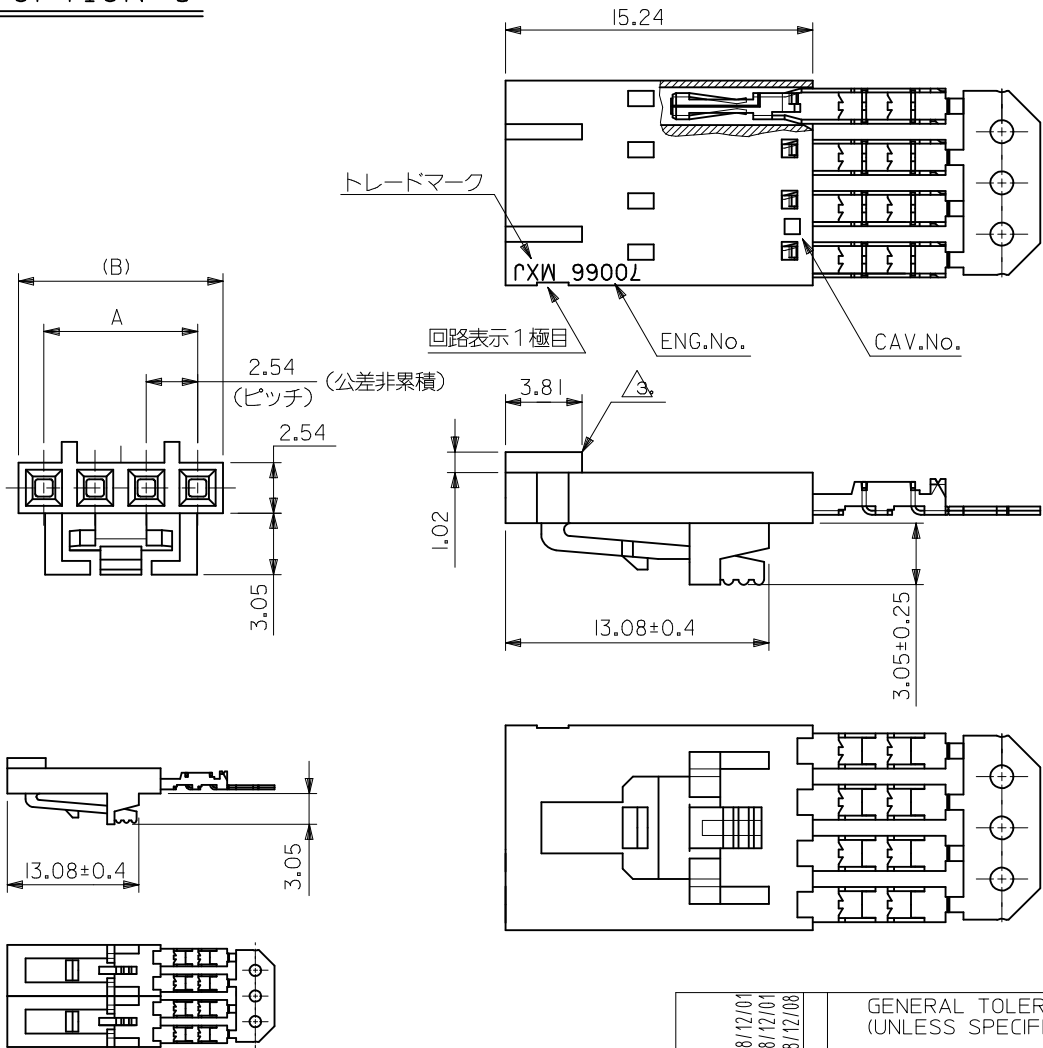
FILE NAME	THIS DRAWING CONTAINS INFORMATION THAT IS PROPRIETARY TO MOLEX INC. AND SHOULD NOT BE USED WITHOUT WRITTEN PERMISSION.	DIV. DA	SIZE C
-----------	--	---------	--------

70400

MFG. SH. REV.

TITLE		REVISE ONLY ON CAD SYSTEM	
ASSEMBLY, SL CONNECTOR (SINGLE ROW- (2.54)/.100 GRID)			
MOLEX INCORPORATED LITSE, ILL. 60532 U.S.A.		SHEET NO.	DATE
PART NO.		DRWG. NO.	

OPTION G



注記:

1. 材料
ハウジング：ガラス入りポリエステル UL 94V-0
ターミナル：磷青銅
2. 仕上げ
接点部：金メッキ 0.38 μm MIN.
圧接部：錫メッキ 1.91 μm MIN.
下地メッキ：ニッケルメッキ 1.27 μm MIN.
3. 極性リブは、2極及び3極の場合1箇所のみとする。
但し3極の場合のリブは、1極目と2極目の間とする。
4. 適合オスコネクター：70107-****, 70018-****
5. 適合ヘッダー：70389-****, 70391-****
6. ハウジングの色：黒

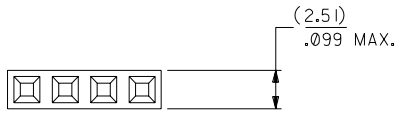
60.96	58.42	70400-0688	24
58.42	55.88	70400-0687	23
48.26	45.72	70400-0683	19
40.64	38.10	70400-0680	16
38.10	35.56	70400-0679	15
35.56	33.02	70400-0678	14
33.02	30.48	70400-0677	13
27.94	25.40	70400-0675	11
25.40	22.86	70400-0674	10
22.86	20.32	70400-0673	9
(B)	A	MATERIAL No.	極数

2極の場合
(SCALE:2-1)

REVISED EC NO: J2009-0453 DRWN: YOSHIDAM 2008/12/01 CHKD: THARUYAMA 2008/12/01 APPR: NUKITA 2008/12/08 REV: D	GENERAL TOLERANCES (UNLESS SPECIFIED)		DIMENSION STYLE MM ONLY		SCALE 4:1	DESIGN UNITS METRIC	THIRD ANGLE PROJECTION		
	10 UNDER ±0.2 10 OVER 30 UNDER ±0.25 30 OVER ±0.3	ANGULAR ±3 ° DRAFT WHERE APPLICABLE MUST REMAIN WITHIN DIMENSIONS		DRAWN BY T. FURUHATA	DATE '87/11/17	TITLE 2.54 SINGLE ROW ASSY FEMALE I.D.CONN OPTION G -LEAD FREE-			
			APPROVED BY S. YAMADA	DATE	MOLEX INCORPORATED				
			MATERIAL NO. SEE TABLE	DOCUMENT NO. SD-70400-010		SHEET NO. 1 OF 1			

THIS DRAWING CONTAINS INFORMATION THAT IS PROPRIETARY TO MOLEX INCORPORATED AND SHOULD NOT BE USED WITHOUT WRITTEN PERMISSION

OPTION A

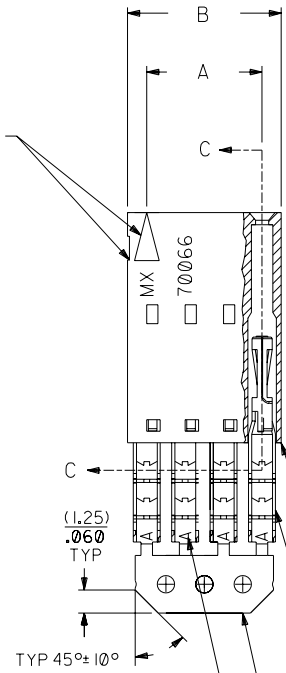


NOTES:

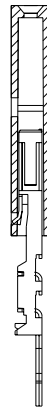
- 1) TO BE USED WITH (24) AWG. STRANDED WIRE WITH (1.35)/.053 DIA. MAX. INSULATION.
- 2) SEE CHART FOR CIRCUIT SIZES.
- 3) STANDARD PACKAGING PER PK-70873-0001. OPTIONAL PACKAGING MAY BE AVAILABLE, REQUEST DWG. PK-70400
- 4) PARTS STACKABLE END TO END AND SIDE BY SIDE ON (2.54)/.100 CENTERS.
- 5) REFER TO PRODUCT SPECIFICATION: PS-70400.
- 6) SEE DWG. SDA-70400-**** (SHT. 5) FOR OPTIONAL HOUSING DETAILS.
- 7) 4 CIRCUIT SHOWN.
- 8) TO MATE WITH MOLEX (2.54)/.100 CENTERLINE HEADERS.

9) 2 CIRCUIT ASSEMBLIES SUPPLIED AS GROUPED PAIRS.

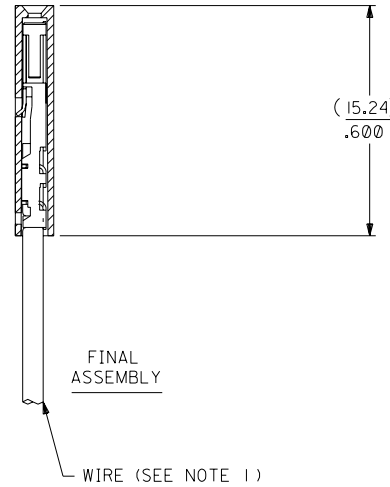
CIRCUIT NO. 1
SLOT OR ARROW



SECTION C-C



PRE-LOADED ASSEMBLY



FINAL ASSEMBLY

HOUSING PART NO. 70066-****
MATERIAL: G.F. POLYESTER, 94V-0

TERMINAL PART NO. 70028-****
MATERIAL: PHOSPHOR BRONZE
PLATING PER ES-88-***

15 GOLD - .000015 MIN. GOLD IN SELECT AREA WITH .000075 MIN. TIN IN SELECT AREA OVER .000050 MIN. NICKEL OVER-ALL.

*THE PRIMARY SHIPPING CARTON WILL BE LABELED "COMPLIANT TO ROHS DIRECTIVE 2002/95/EC AND ELV ANNEX II OF DIRECTIVE 2000/53/EC". CARTONS WITHOUT THIS LABEL MAY CONTAIN PRODUCT WITH LEAD.

I.D. SLOT CODE TO WIRE GAUGE CHART	
I.D. SLOT CODE	WIRE GAUGE
A	24 AWG.

PLATING CODE (STRIPE ON CARRIER STRIP)	
PLATING	COLOR
15 GOLD	YELLOW

CKT. SIZE	DIMENSIONS (INCH)		EDP. NO.	ENG. NO.
	A	B		
2	(2.54) .100	(5.05) .199	14-56-2021	A-70400-0526
3	(5.08) .200	(7.59) .299	14-56-2031	A-70400-0527
4	(7.62) .300	(10.13) .399	14-56-2041	A-70400-0528
5	(10.16) .400	(12.67) .499	14-56-2051	A-70400-0529
6	(12.70) .500	(15.21) .599	14-56-2061	A-70400-0530
7	(15.24) .600	(17.75) .699	14-56-2071	A-70400-0531
8	(17.78) .700	(20.29) .799	14-56-2081	A-70400-0532
9	(20.32) .800	(22.83) .899	14-56-2091	A-70400-0533
10	(22.86) .900	(25.37) .999	14-56-2101	A-70400-0534
11	(25.54) 1.000	(27.91) 1.099	14-56-2111	A-70400-0535
12	(27.94) 1.100	(30.45) 1.199	14-56-2121	A-70400-0536
13	(30.48) 1.200	(32.99) 1.299	14-56-2131	A-70400-0537
14	(33.02) 1.300	(35.53) 1.399	14-56-2141	A-70400-0538
15	(35.56) 1.400	(38.07) 1.499	14-56-2151	A-70400-0539
16	(38.01) 1.500	(40.61) 1.599	14-56-2161	A-70400-0540
17	(40.64) 1.600	(43.15) 1.699	14-56-2171	A-70400-0541
18	(43.18) 1.700	(45.69) 1.799	14-56-2181	A-70400-0542
19	(45.72) 1.800	(48.23) 1.899	14-56-2191	A-70400-0543
20	(48.26) 1.900	(50.77) 1.999	14-56-2201	A-70400-0544
21	(50.80) 2.000	(53.31) 2.099	14-56-2211	A-70400-0545
22	(53.34) 2.100	(55.85) 2.199	14-56-2221	A-70400-0546
23	(55.88) 2.200	(58.39) 2.299	14-56-2231	A-70400-0547
24	(58.42) 2.300	(60.93) 2.399	14-56-2241	A-70400-0548
25	(60.96) 2.400	(63.47) 2.499	14-56-2251	A-70400-0549

REV.	DATE	BY	REVISIONS
E			REVISED PER ECR NO. U82110 10-17-88 AAB
F			LEAD FREE UCP2004-1769 RWHITE 04/03/17
EI			ADD CARRIER CHAMF ECR# 8842 05/20/98 LMCGRATH
			REDRAWN ON CAD ECR# 8842 5/8/86 W.Z.

DIMENSIONS SHOWN (METRIC) INCH	
UNLESS OTHERWISE SPECIFIED TOLERANCES: ANGULAR ± 1/2°	
3 PLACE	± .010
2 PLACE	± .014 ± 0.25
1 PLACE	± 0.35

MFG. SH. REV.		REVISE ONLY ON CAD SYSTEM	
TITLE: ASSEMBLY, SL CONNECTOR (SINGLE ROW- (2.54)/.100 GRID)			
MOLEX INCORPORATED LITSE, ILL. 60532 U.S.A.		SHEET NO. 10/09/84	DATE
PART NO. SDA-70400-0526-0549		DRWG. NO.	
SEE CHART			
FILE NAME: S70400AX4		THIS DRAWING CONTAINS INFORMATION THAT IS PROPRIETARY TO MOLEX INC. AND SHOULD NOT BE USED WITHOUT WRITTEN PERMISSION.	

DRWG. BY	CHK'D. BY	SCALE
WAZ	WAZ	4:1