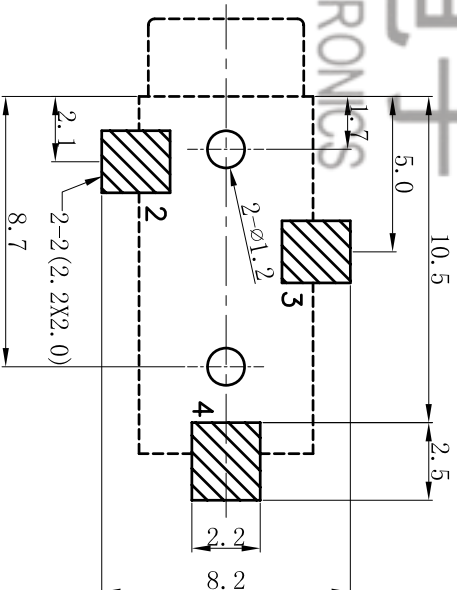
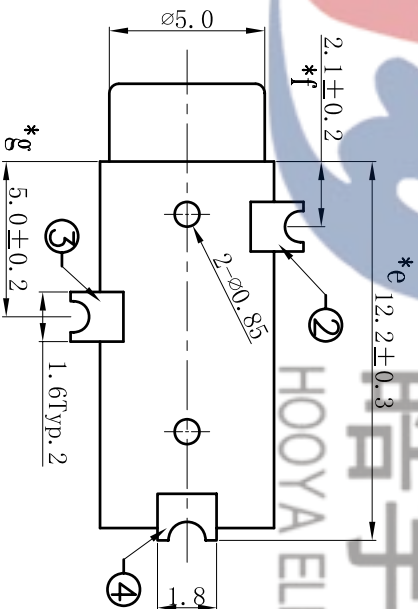
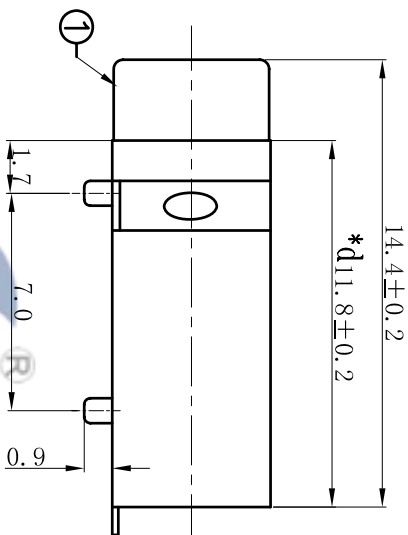
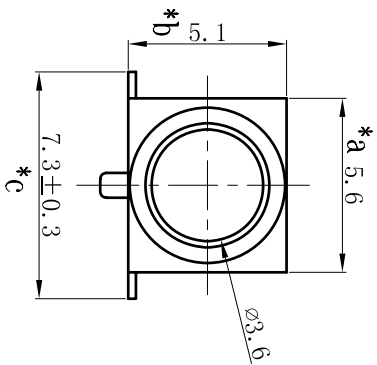
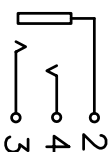


ROHS

SCHMATIC



P.C.B LAYOUT
TOP VIEW

NO.	PART	NAME	MATERIAL	QTY	FINISHING
4	CONTACT FOOT	PHOSPHOR BRONZE		1	Ag-Plated
3	CONTACT FOOT	PHOSPHOR BRONZE		1	Ag-Plated
2	CONTACT FOOT	PHOSPHOR BRONZE		1	Ag-Plated
1	HOUSING	PA9T		1	BLACK

TOLERANCE UNLESS SPECIFIED		REVISIONS	
UP TO 5mm: ±0.1	ANGULAR ±1°	NO	DATE
ABOVE 5mm: ±0.2		1	2016.5.4
TITLE: PHONE JACK		UNIT : MM	ROHS COMPLIANT
MODEL: Pj-326		SCALE: 1:1	CHK'D
HAOYU(HONGKONG)LIMITED		APPD	BY
皓宇(香港)有限公司		PRO.AGI.	REV :A1



HAOYU(HONGKONG)LIMITED
皓宇(香港)有限公司

图纸更新

Hx
BY
APPD