

PART NAME: KNOB

SCALE: 1:1

DATE: 5/31/72

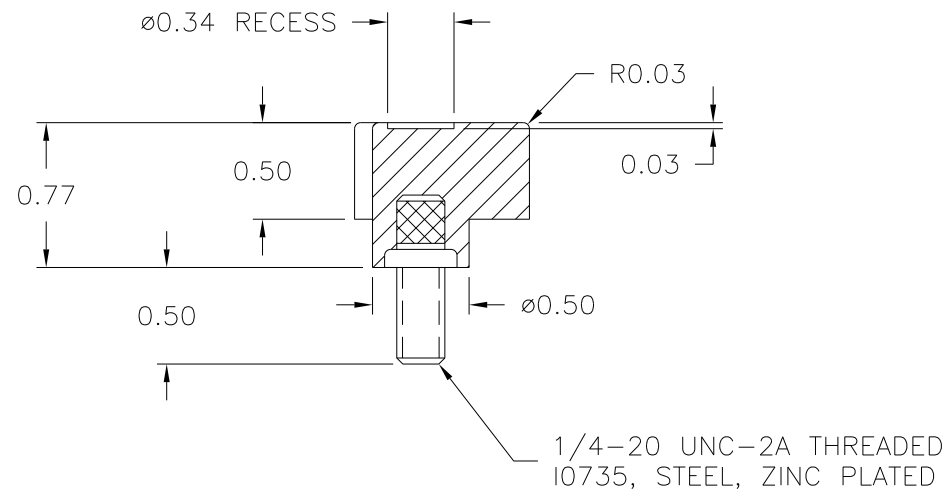
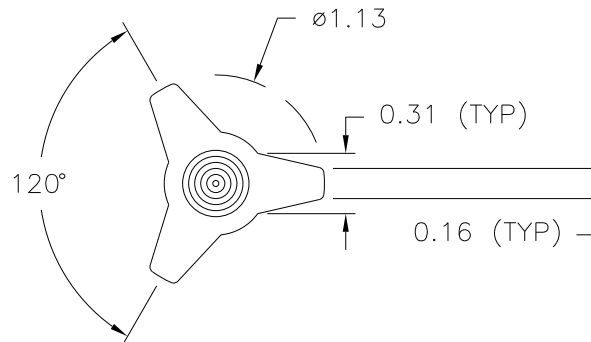
DR. BY NH


 DESIGNERS & MANUFACTURERS  
 OF KNOBS, HANDLES, CASES &  
 CUSTOM PLASTIC COMPONENTS

P/N 3025AS

 THIS DRAWING IS THE PROPERTY OF DAVIES MOLDING COMPANY, IS SUBMITTED SOLELY AS A DESIGN OR ENGINEERING PROJECT.  
 WE ACCEPT NO RESPONSIBILITY WHATSOEVER FOR THE PRACTICAL APPLICATION OF THE PIECES MADE TO THIS DESIGN.
M<sup>NO.</sup> 3025

|             |           |
|-------------|-----------|
| CAVITY      | 3025      |
| PLUNGER     | 3025      |
| PLUNGER PIN | 3025-A    |
| PINS        | 3025-1    |
| SHIMS       | 1/4 + 1/8 |
| INSERT      | I0735     |


 MATERIAL: G.P. PHENOLIC (B11)  
 COLOR: BLACK

|   |                                  |   |               |    |          |
|---|----------------------------------|---|---------------|----|----------|
| TOLERANCES:<br>UNLESS OTHERWISE SPECIFIED | DO NOT SCALE<br>DRAWING          | - | RE-DID REDRAW | TL | 11/16/99 |
| DECIMALS: X.XXX ± .005<br>X.XX ± .015     | MM: X.XX ± 0.15MM<br>X.X ± 0.4MM | - | UPDATED DWG.  | HD | 8/8/97   |
| FRACTIONS ± 1/64                          | ANG. ± 1°                        | - | CAD REDRAW    | HD | 2/10/95  |
| CHANGES                                   |                                  |   |               |    |          |