



78TXX

LINEAR INTEGRATED CIRCUIT

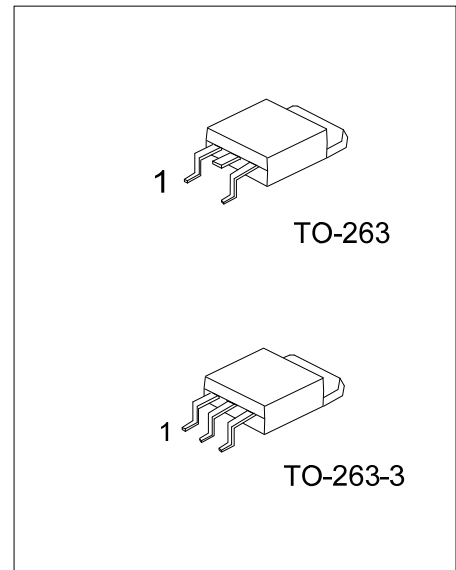
3-TERMINALS 0.5A POSITIVE VOLTAGE REGULATOR

DESCRIPTION

The UTC **78TXX** family is monolithic fixed voltage regulator integrated circuit. They are suitable for applications that required supply current up to 0.5 A.

FEATURE

- * Output current up to 0.5 A
- * Fixed output voltage of 5V, 6V, 8V, 9V, 12V, 15V and 18V available
- * Thermal overload shutdown protection
- * Short circuit current limiting
- * Output transistor SOA protection



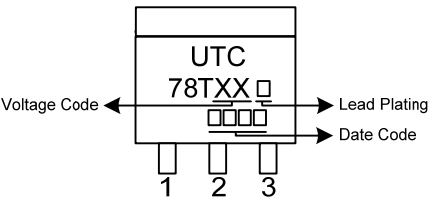
ORDERING INFORMATION

Ordering Number			Package	Pin Assignment			Packing
Normal	Lead Free	Halogen Free		1	2	3	
78TXX-TQ2-R	78TXXL-TQ2-R	78TXXG-TQ2-R	TO-263	I	G	O	Tape Reel
78TXX-TQ2-T	78TXXL-TQ2-T	78TXXG-TQ2-T	TO-263	I	G	O	Tube
78TXX-TQ3-R	78TXXL-TQ3-R	78TXXG-TQ3-R	TO-263-3	I	G	O	Tape Reel
78TXX-TQ3-T	78TXXL-TQ3-T	78TXXG-TQ3-T	TO-263-3	I	G	O	Tube

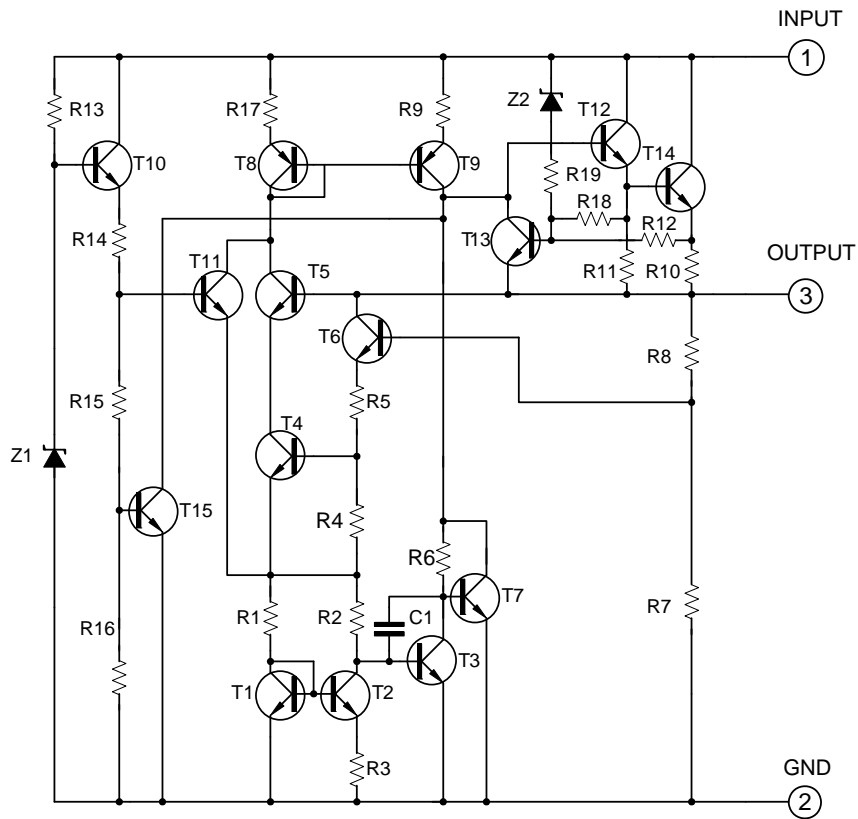
Note: 1. xx: output voltage, refer to Marking Information
 2. Pin Code: I: Input G: GND O: Output

<p>78TXXL-TQ2-R</p> <p>(1)Packing Type (2)Package Type (3)Lead Free (4)Output Voltage Code</p>	<p>(1) R: Tape Reel, T: Tube (2) TQ2: TO-263, TQ3: TO-263-3 (3) G: Halogen Free, L: Lead Free, Blank: Pb/Sn (4) xx: refer to Marking Information</p>
---	---

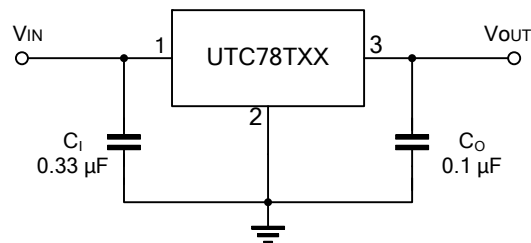
■ MARKING INFORMATION

PACKAGE	VOLTAGE CODE	MARKING
TO-263 TO-263-3	05 : 5V 06 : 6V 08 : 8V 09 : 9V 12 : 12V 15 : 15V 18 : 18V	

■ BLOCK DIAGRAM



■ TYPICAL APPLICATION CIRCUIT



Note: Bypass capacitors are recommended for optimum stability and transient response and should be located as close as possible to the regulators.

■ ABSOLUTE MAXIMUM RATINGS (Operating temperature range applies unless otherwise specified.)

PARAMETER	SYMBOL	RATINGS	UNIT
Input Voltage	V_{IN}	35	V
Output Current	I_{OUT}	0.5	A
Power Dissipation	P_D	Internally Limited	W
Operating Junction Temperature	T_J	0~+125	°C
Storage Temperature	T_{STG}	-65 ~ +150	°C

Note:1. Absolute maximum ratings are stress ratings only and functional device operation is not implied. The device could be damaged beyond Absolute maximum ratings.

2. The maximum steady state usable output current are dependent on input voltage, heat sinking, lead length of the package and copper pattern of PCB. The data are showed as electrical characteristics table represents pulse test conditions with junction temperatures specified at the initiation of test.

■ ELECTRICAL CHARACTERISTICS ($T_J=25^\circ\text{C}$, $C_I=0.33\mu\text{F}$, $C_O=0.1\mu\text{F}$, $P_D\leq 7\text{W}$, unless otherwise specified)

For 78T05 ($V_{IN}=10\text{V}$, $I_{OUT}=0.5\text{A}$)

PARAMETER	SYMBOL	TEST CONDITIONS	MIN	TYP	MAX	UNIT
Output Voltage	V_{OUT}	$I_{OUT}=5\text{mA}\sim 0.5\text{A}$	4.8	5	5.2	V
		$V_{IN}=7.5\sim 20\text{V}$, $I_{OUT}=5\text{mA}\sim 0.5\text{A}$	4.75		5.25	V
Load Regulation	ΔV_{OUT}	$I_{OUT}=5\text{mA}\sim 0.5\text{A}$			100	mV
		$I_{OUT}=5\text{mA}\sim 200\text{mA}$			50	mV
Line Regulation	ΔV_{OUT}	$V_{IN}=7\text{V}\sim 25\text{V}$			100	mV
		$V_{IN}=7.5\sim 20\text{V}$, $I_{OUT}=0.5\text{A}$			50	mV
Quiescent Current	I_Q	$I_{OUT}=0.5\text{A}$			8	mA
Quiescent Current Change	ΔI_Q	$V_{UT}=7.5\sim 20\text{V}$			1	mA
		$I_{OUT}=5\text{mA}\sim 0.5\text{A}$			0.5	mA
Output Noise Voltage	eN	$10\text{Hz}\leq f\leq 100\text{kHz}$		40		uV
Temperature coefficient of V_{OUT}	$\Delta V_{OUT}/\Delta T$	$I_{OUT}=5\text{mA}$		-0.6		mV/°C
Ripple Rejection	RR	$V_{IN}=8\sim 18\text{V}$, $f=120\text{Hz}$	62	80		dB
Peak Output Current	I_{PEAK}			1.2		A
Short-Circuit Current	I_{SC}	$V_{IN}=35\text{V}$		250		mA
Dropout Voltage	V_D			2		V

For 78T06 ($V_{IN}=11\text{V}$, $I_{OUT}=0.5\text{A}$)

PARAMETER	SYMBOL	TEST CONDITIONS	MIN	TYP	MAX	UNIT
Output Voltage	V_{OUT}	$I_{OUT}=5\text{mA}\sim 0.5\text{A}$	5.76	6	6.24	V
		$V_{IN}=8.5\sim 21\text{V}$, $I_{OUT}=5\text{mA}\sim 0.5\text{A}$	5.7		6.3	V
Load Regulation	ΔV_{OUT}	$I_{OUT}=5\text{mA}\sim 0.5\text{A}$			60	mV
		$I_{OUT}=5\text{mA}\sim 200\text{mA}$			30	mV
Line Regulation	ΔV_{OUT}	$V_{IN}=8\sim 25\text{V}$			60	mV
		$V_{IN}=8.5\sim 21\text{V}$, $I_{OUT}=0.5\text{A}$			60	mV
Quiescent Current	I_Q	$I_{OUT}=0.5\text{A}$			8	mA
Quiescent Current Change	ΔI_Q	$V_{IN}=8.5\sim 21\text{V}$			1	mA
		$I_{OUT}=5\text{mA}\sim 0.5\text{A}$			0.5	mA
Output Noise Voltage	eN	$10\text{Hz}\leq f\leq 100\text{kHz}$		45		uV
Temperature coefficient of V_{OUT}	$\Delta V_{OUT}/\Delta T$	$I_{OUT}=5\text{mA}$		-0.7		mV/°C
Ripple Rejection	RR	$V_{IN}=9\sim 19\text{V}$, $f=120\text{Hz}$	59	75		dB
Peak Output Current	I_{PEAK}			1.2		A
Short-Circuit Current	I_{SC}	$V_{IN}=35\text{V}$		250		mA
Dropout Voltage	V_D			2		V

■ ELECTRICAL CHARACTERISTICS(Cont.)

For 78T08 ($V_{IN}=14V$, $I_{OUT}=0.5A$)

PARAMETER	SYMBOL	TEST CONDITIONS	MIN	TYP	MAX	UNIT
Output Voltage	V_{OUT}	$I_{OUT}=5mA\sim 0.5A$	7.68	8	8.32	V
		$V_{IN}=10.5\sim 23V$, $I_{OUT}=5mA\sim 0.5A$	7.6		8.4	V
Load Regulation	ΔV_{OUT}	$I_{OUT}=5mA\sim 0.5A$			80	mV
		$I_{OUT}=5mA\sim 200mA$			40	mV
Line Regulation	ΔV_{OUT}	$V_{IN}=10.5\sim 25V$			80	mV
		$V_{IN}=10.5\sim 23V$, $I_{OUT}=0.5A$			80	mV
Quiescent Current	I_Q	$I_{OUT}=0.5A$			8	mA
Quiescent Current Change	ΔI_Q	$V_{IN}=10.5\sim 23V$			1	mA
		$I_{OUT}=5mA\sim 0.5A$			0.5	mA
Output Noise Voltage	eN	$10Hz \leq f \leq 100kHz$		58		μV
Temperature coefficient of V_{OUT}	$\Delta V_{OUT}/\Delta T$	$I_{OUT}=5mA$		-0.9		$mV/^\circ C$
Ripple Rejection	RR	$V_{IN}=11.5\sim 21.5V$, $f=120Hz$	56	72		dB
Peak Output Current	I_{PEAK}			1.2		A
Short-Circuit Current	I_{SC}	$V_{IN}=35V$		250		mA
Dropout Voltage	V_D			2		V

For 78T09 ($V_{IN}=15V$, $I_{OUT}=0.5A$)

PARAMETER	SYMBOL	TEST CONDITIONS	MIN	TYP	MAX	UNIT
Output Voltage	V_{OUT}	$I_{OUT}=5mA\sim 0.5A$	8.64	9	9.36	V
		$V_{IN}=11.5\sim 24V$, $I_{OUT}=5mA\sim 0.5A$	8.55		9.45	V
Load Regulation	ΔV_{OUT}	$I_{OUT}=5mA\sim 0.5A$			90	mV
		$I_{OUT}=5mA\sim 200mA$			45	mV
Line Regulation	ΔV_{OUT}	$V_{IN}=11.5\sim 25V$			90	mV
		$V_{IN}=11.5\sim 24V$, $I_{OUT}=0.5A$			90	mV
Quiescent Current	I_Q	$I_{OUT}=0.5A$			8	mA
Quiescent Current Change	ΔI_Q	$V_{IN}=11.5\sim 24V$			1	mA
		$I_{OUT}=5mA\sim 0.5A$			0.5	mA
Output Noise Voltage	eN	$10Hz \leq f \leq 100kHz$		58		μV
Temperature coefficient of V_{OUT}	$\Delta V_{OUT}/\Delta T$	$I_{OUT}=5mA$		-1.1		$mV/^\circ C$
Ripple Rejection	RR	$V_{IN}=12.5\sim 22.5V$, $f=120Hz$	56	72		dB
Peak Output Current	I_{PEAK}			1.2		A
Short-Circuit Current	I_{SC}	$V_{IN}=35V$		250		mA
Dropout Voltage	V_D			2		V

For 78T12 ($V_{IN}=19V$, $I_{OUT}=0.5A$)

PARAMETER	SYMBOL	TEST CONDITIONS	MIN	TYP	MAX	UNIT
Output Voltage	V_{OUT}	$I_{OUT}=5mA\sim 0.5A$	11.52	12	12.48	V
		$V_{IN}=14.5\sim 27V$, $I_{OUT}=5mA\sim 0.5A$	11.4		12.6	V
Load Regulation	ΔV_{OUT}	$I_{OUT}=5mA\sim 0.5A$			120	mV
		$I_{OUT}=5mA\sim 200mA$			60	mV
Line Regulation	ΔV_{OUT}	$V_{IN}=14.5\sim 30V$			120	mV
		$V_{IN}=14.6\sim 27V$, $I_{OUT}=0.5A$			120	mV
Quiescent Current	I_Q	$I_{OUT}=0.5A$			8	mA
Quiescent Current Change	ΔI_Q	$V_{IN}=14.5\sim 30V$			1	mA
		$I_{OUT}=5mA\sim 0.5A$			0.5	mA
Output Noise Voltage	eN	$10Hz \leq f \leq 100kHz$		75		μV
Temperature coefficient of V_{OUT}	$\Delta V_{OUT}/\Delta T$	$I_{OUT}=5mA$		-1.5		$mV/^\circ C$
Ripple Rejection	RR	$V_{IN}=15\sim 25V$, $f=120Hz$	55	72		dB
Peak Output Current	I_{PEAK}			1.2		A
Short-Circuit Current	I_{SC}	$V_{IN}=35V$		250		mA
Dropout Voltage	V_D			2		V

■ ELECTRICAL CHARACTERISTICS(Cont.)

For 78T15 ($V_{IN}=23V$, $I_{OUT}=0.5A$)

PARAMETER	SYMBOL	TEST CONDITIONS	MIN	TYP	MAX	UNIT
Output Voltage	V_{OUT}	$I_{OUT}=5mA\sim 0.5A$	14.4	15	15.6	V
		$V_{IN}=17.5\sim 30V$, $I_{OUT}=5mA\sim 0.5A$	14.25		15.75	V
Load Regulation	ΔV_{OUT}	$I_{OUT}=5mA\sim 0.5A$			150	mV
		$I_{OUT}=5mA\sim 200mA$			75	mV
Line Regulation	ΔV_{OUT}	$V_{IN}=18.5\sim 30V$			150	mV
		$V_{IN}=17.5\sim 30V$, $I_{OUT}=0.5A$			150	mV
Quiescent Current	I_Q	$I_{OUT}=0.5A$			8	mA
Quiescent Current Change	ΔI_Q	$V_{IN}=17.5\sim 30V$			1	mA
		$I_{OUT}=5mA\sim 0.5A$			0.5	mA
Output Noise Voltage	eN	$10Hz \leq f \leq 100kHz$		90		μV
Temperature coefficient of V_{OUT}	$\Delta V_{OUT}/\Delta T$	$I_{OUT}=5mA$		-1.8		$mV/^\circ C$
Ripple Rejection	RR	$V_{IN}=18.5\sim 28.5V$, $f=120Hz$	54	70		dB
Peak Output Current	I_{PEAK}			1.2		A
Short-Circuit Current	I_{SC}	$V_{IN}=35V$		250		mA
Dropout Voltage	V_D			2		V

For 78T18 ($V_{IN}=27V$, $I_{OUT}=0.5A$)

PARAMETER	SYMBOL	TEST CONDITIONS	MIN	TYP	MAX	UNIT
Output Voltage	V_{OUT}	$I_{OUT}=5mA\sim 0.5A$	17.28	18	18.72	V
		$V_{IN}=21\sim 33V$, $I_{OUT}=5mA\sim 0.5A$	17.1		18.9	V
Load Regulation	ΔV_{OUT}	$I_{OUT}=5mA\sim 0.5A$			180	mV
		$I_{OUT}=5mA\sim 200mA$			90	mV
Line Regulation	ΔV_{OUT}	$V_{IN}=21\sim 33V$			180	mV
		$V_{IN}=21\sim 33V$, $I_{OUT}=0.5A$			180	mV
Quiescent Current	I_Q	$I_{OUT}=0.5A$			8	mA
Quiescent Current Change	ΔI_Q	$V_{IN}=21.5\sim 33V$			1	mA
		$I_{OUT}=5mA\sim 0.5A$			0.5	mA
Output Noise Voltage	eN	$10Hz \leq f \leq 100kHz$		110		μV
Temperature coefficient of V_{OUT}	$\Delta V_{OUT}/\Delta T$	$I_{OUT}=5mA$		-2.2		$mV/^\circ C$
Ripple Rejection	RR	$V_{IN}=22\sim 32V$, $f=120Hz$	53	69		dB
Peak Output Current	I_{PEAK}			1.2		A
Short-Circuit Current	I_{SC}	$V_{IN}=35V$		250		mA
Dropout Voltage	V_D			2		V

UTC assumes no responsibility for equipment failures that result from using products at values that exceed, even momentarily, rated values (such as maximum ratings, operating condition ranges, or other parameters) listed in products specifications of any and all UTC products described or contained herein. UTC products are not designed for use in life support appliances, devices or systems where malfunction of these products can be reasonably expected to result in personal injury. Reproduction in whole or in part is prohibited without the prior written consent of the copyright owner. The information presented in this document does not form part of any quotation or contract, is believed to be accurate and reliable and may be changed without notice.