

Si photodiode

S5668-11/-34

High sensitivity X-ray detectors



Features

- 16-element photodiode array with scintillator
S5668-11: CsI
S5668-34: ceramic scintillator
- High sensitivity compared with CWO
S5668-11: 3.2 times
S5668-34: 1.8 times
- S5668-34: high reliability
less afterglow, low cross-talk, low capacitance

Applications

- X-ray fluorescence analysis
- X-ray detection

■ Absolute maximum ratings (Ta=25 °C)

Parameter	Symbol	Value	Unit
Reverse voltage	VR Max.	10	V
Operating temperature	ToPr	-10 to +60	°C
Storage temperature	Tstg	-20 to +70	°C

■ Photodiode electrical and optical characteristics (Ta=25 °C, per element)

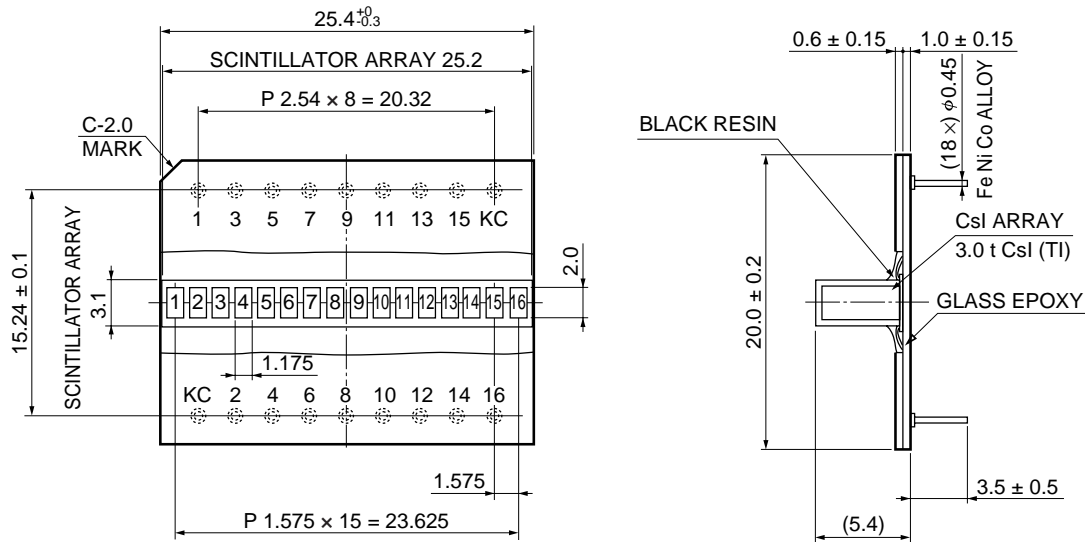
Parameter	Symbol	Condition	S5668-11		S5668-34		Unit
			Typ.	Max.	Typ.	Max.	
Spectral response range	λ		320 to 1100	-	320 to 1000	-	nm
Peak sensitivity wavelength	λ_p		960	-	800	-	nm
Photo sensitivity	S	$\lambda=540$ nm	0.31	-	0.38	-	A/W
		$\lambda=\lambda_p$	0.56	-	0.54	-	A/W
X-ray sensitivity	Sx	X-ray tube voltage= 120 kV *	5.8	-	2.5	-	nA
Dark current	ID	VR=10 mV	1	10	1	30	pA
Terminal capacitance	Ct	VR=0 V, f=10 kHz	300	550	35	70	pF

* Tube current=1.0 mA, aluminum filter: t=6 mm, distance=830 mm

Note) Sensitivity values are just for your reference. Actual sensitivity values may vary depending on an equipment type and measurement conditions.

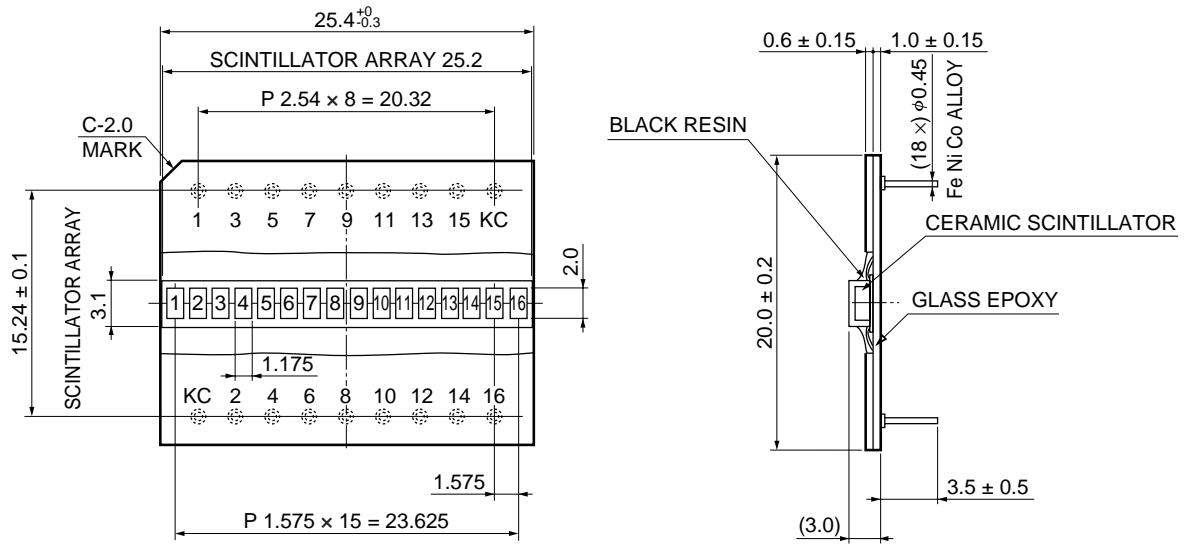
■ Dimensional outlines (unit: mm)

S5668-11



KMPDA0130EB

S5668-34



KMPDA0096EB

HAMAMATSU

Information furnished by HAMAMATSU is believed to be reliable. However, no responsibility is assumed for possible inaccuracies or omissions. Specifications are subject to change without notice. No patent rights are granted to any of the circuits described herein. ©2007 Hamamatsu Photonics K.K.

HAMAMATSU PHOTONICS K.K., Solid State Division

1126-1 Ichino-cho, higashi-ku, Hamamatsu City, 435-8558 Japan, Telephone: (81) 53-434-3311, Fax: (81) 53-434-5184, www.hamamatsu.com

U.S.A.: Hamamatsu Corporation: 360 Foothill Road, P.O.Box 6910, Bridgewater, N.J. 08807-0910, U.S.A., Telephone: (1) 908-231-0960, Fax: (1) 908-231-1218

Germany: Hamamatsu Photonics Deutschland GmbH: Arzbergerstr. 10, D-82211 Herrsching am Ammersee, Germany, Telephone: (49) 08152-3750, Fax: (49) 08152-2658

France: Hamamatsu Photonics France S.A.R.L.: 19, Rue du Saule Trapu, Parc du Moulin de Massy, 91882 Massy Cedex, France, Telephone: 33-(1) 69 53 71 00, Fax: 33-(1) 69 53 71 10

United Kingdom: Hamamatsu Photonics UK Limited: 2 Howard Court, 10 Tevin Road, Welwyn Garden City, Hertfordshire AL7 1BW, United Kingdom, Telephone: (44) 1707-294888, Fax: (44) 1707-325777

North Europe: Hamamatsu Photonics Norden AB: Smidesvägen 12, SE-171 41 Solna, Sweden, Telephone: (46) 8-509-031-00, Fax: (46) 8-509-031-01

Italy: Hamamatsu Photonics Italia S.R.L.: Strada della Moia, 1/E, 20020 Arese, (Milano), Italy, Telephone: (39) 02-935-81-733, Fax: (39) 02-935-81-741