



## 3.0Amp. Surface Mount Schottky Barrier Diodes

# SK3XSA Series

### Features

- For surface mounted applications.
- For use in low voltage, high frequency inverters, free wheeling, and polarity protection applications
- Plastic material used carries Underwriters Laboratory Flammability Classification 94V-0
- Low leakage current
- High surge capability
- High temperature soldering: 250°C/10 seconds at terminals
- Exceeds environmental standards of MIL-S-19500/228
- Pb-free package

### Mechanical Data

- Case: SMA/DO-214AC molded plastic.
- Terminals: Solder plated, solderable per MIL-STD-750 method 2026
- Polarity: Indicated by cathode band.
- Packaging: 12mm tape per EIA STD RS-481.
- Weight: 0.064 gram, 0.002 ounce

### Maximum Ratings and Electrical Characteristics

(Rating at 25°C ambient temperature unless otherwise specified. Single phase, half wave, 60Hz, resistive or inductive load. For capacitive load, derate current by 20%.)

Parameter	Symbol	Type					Units
		SK32	SK34	SK36	SK38	SK3B	
Repetitive peak reverse voltage	V <sub>RRM</sub>	20	40	60	80	100	V
Maximum RMS voltage	V <sub>RMS</sub>	14	28	42	56	70	V
Maximum DC blocking voltage	V <sub>R</sub>	20	40	60	80	100	V
Maximum instantaneous forward voltage, I <sub>F</sub> =3A	V <sub>F</sub>	0.5		0.7	0.85		V
Maximum average forward rectified current at T <sub>L</sub> (See Fig. 1 )	I <sub>O</sub>	3.0					A
Peak forward surge current @8.3ms single half sine wave superimposed on rated load (JEDEC method)	I <sub>FSM</sub>	80					A
Maximum DC reverse current @ T <sub>J</sub> = 25°C At Rated DC Blocking Voltage @ T <sub>J</sub> = 100°C	I <sub>R</sub>	0.5 10					mA mA
Maximum thermal resistance, Junction to ambient(Note 1)	R <sub>th,JA</sub>	88 (typ)					°C/W
Diode junction capacitance @ f = 1MHz and applied 4V reverse voltage	C <sub>J</sub>	200 (typ)					pF
Operating Junction and Storage temperature Rang	T <sub>J</sub> , T <sub>stg</sub>	-55 ~ +125 / -55 ~ +150					°C

Notes : 1.Mounted on PCB with 14mm<sup>2</sup> (0.013mm thickness) copper pad area.

**Characteristic Curves**

FIG.1 - FORWARD CURRENT DERATING CURVE

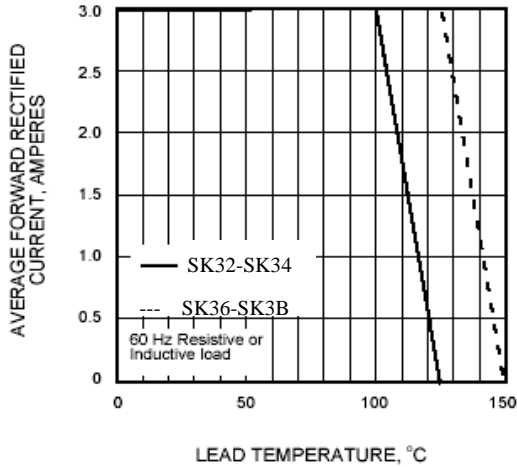


FIG.2 - MAXIMUM NON-REPETITIVE 9 PEAK FORWARD SURGE CURRENT

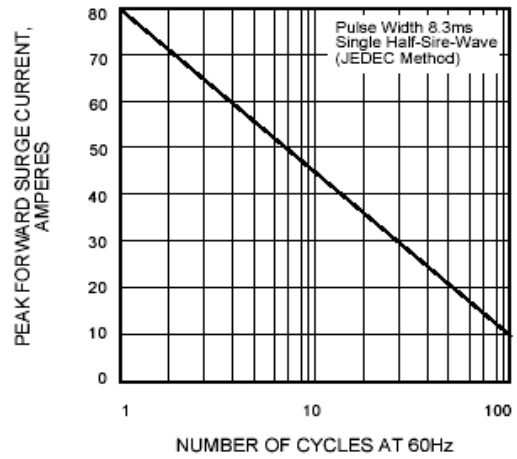


FIG.3 - TYPICAL INSTANTANEOUS FORWARD CHARACTERISTICS

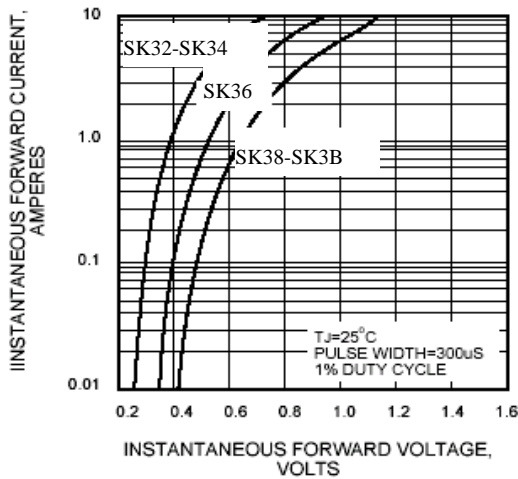


FIG.4 - TYPICAL REVERSE CHARACTERISTICS

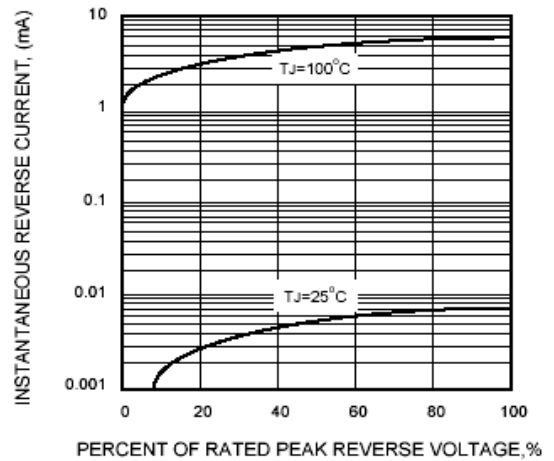
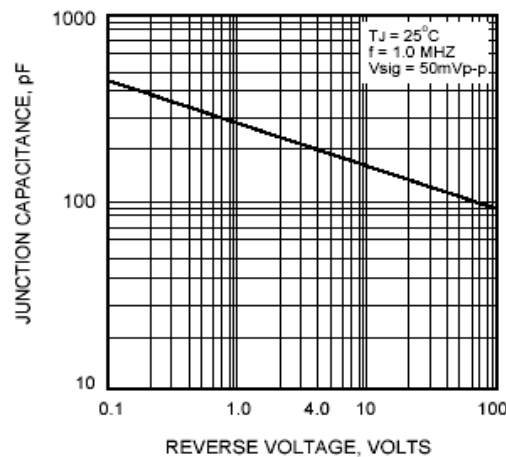
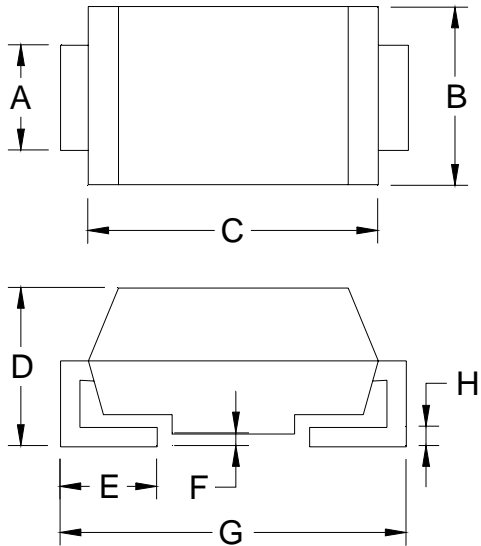


FIG.5 - TYPICAL JUNCTION CAPACITANCE



## SMA Dimension



The diagram shows two views of the SMA package. The top view is a side profile with dimensions A (lead height), B (package height), and C (package length). The bottom view is a top-down perspective with dimensions D (lead height), E (lead width), F (lead pitch), G (package width), and H (lead thickness).

Marking :

Device	SK32	SK34	SK36	SK38
Code	SK32	SK34	SK36	SK38

Device	SK3B			
Code	SK3B			

SMA/DO-214AC Plastic  
 Surface Mounted Package  
 CYStek Package Code : SA

\*:Typical

DIM	Inches		Millimeters		DIM	Inches		Millimeters	
	Min.	Max.	Min.	Max.		Min.	Max.	Min.	Max.
A	0.055	0.062	1.40	1.60	E	0.030	0.060	0.76	1.52
B	0.098	0.114	2.50	2.90	F	0.002	0.008	0.051	0.203
C	0.157	0.181	4.00	4.60	G	0.188	0.208	4.80	5.28
D	0.078	0.096	2.00	2.44	H	0.006	0.012	0.152	0.305

- Notes :
1. Controlling dimension : millimeters.
  2. Maximum lead thickness includes lead finish thickness, and minimum lead thickness is the minimum thickness of base material.
  3. If there is any question with packing specification or packing method, please contact your local CYStek sales office.

Material :

- Lead : 42 Alloy ; solder plating
- Mold Compound : Epoxy resin family, flammability solid burning class:UL94V-0

**Important Notice:**

- All rights are reserved. Reproduction in whole or in part is prohibited without the prior written approval of CYStek.
- CYStek reserves the right to make changes to its products without notice.
- CYStek **semiconductor products are not warranted to be suitable for use in Life-Support Applications, or systems.**
- CYStek assumes no liability for any consequence of customer product design, infringement of patents, or application assistance.