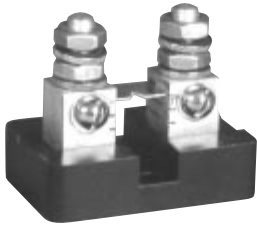




# DC Ammeter Shunts

STD Accuracy  $\pm 0.25\%$

## TYPE LA: 5 through 150 Amperes

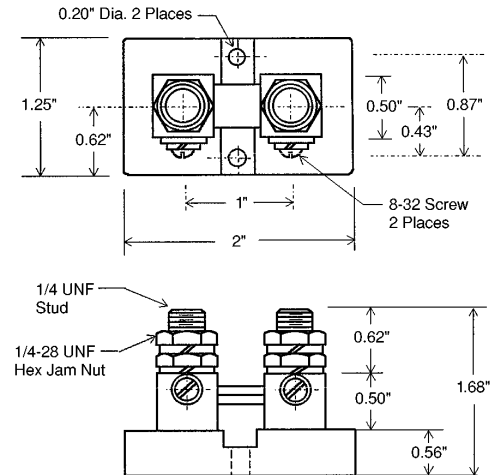


### TYPE LA: 50 mV

Catalog Number	AMP
LA-5-50	5
LA-10-50	10
LA-15-50	15
LA-20-50	20
LA-30-50	30
LA-50-50	50
LA-75-50	75
LA-80-50	80
LA-85-50	85
LA-100-50	100
LA-150-50	150

### TYPE LA: 100 mV

Catalog Number	AMP
LA-5-100	5
LA-10-100	10
LA-15-100	15
LA-20-100	20
LA-30-100	30
LA-50-100	50
LA-75-100	75
LA-80-100	80
LA-85-100	85
LA-100-100	100
LA-150-100	150



Tolerances  $\pm .015$  for the hole diameters. Other tolerances  $\pm .030$  unless specified.  
Dimensions subject to change without notice.