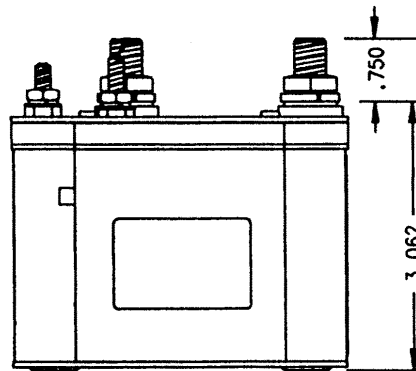
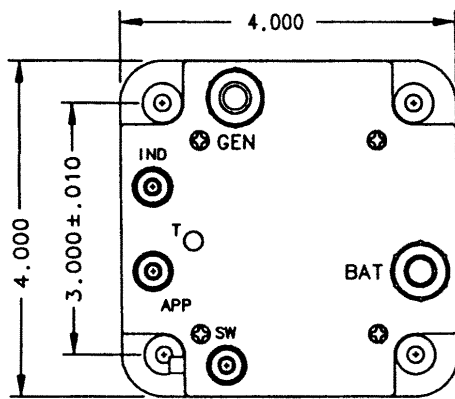


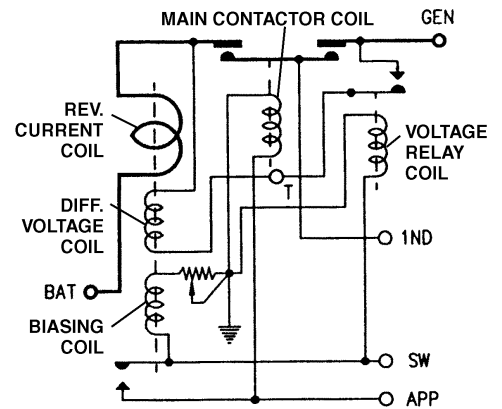
# A-700AQ-4 SPST N.O., 200 Amps, 28 VDC, Cutout Reverse Current

**Features:**

- SPST N.O. Main Contacts
- 28 VDC
- 200 Amps
- High Reliability
- Meets many requirements of MIL-R-6106



**CONTACTOR CONFIGURATION**



Dimensions for this product are expressed in inches. Multiply values by 25.4 for millimeters.

**PRODUCT SPECIFICATIONS**

Construction	Gasket Sealed, Vented
Main Contacts:	
Configuration	SPST N.O.
Voltage (Nominal)	28 VDC
Current (Resistive)	200 Amps
Main Contactor Coil:	
Duty Cycle	Continuous
Voltage (Nominal)	28 VDC
Pick-Up Voltage	18 VDC Maximum
Drop-Out Voltage	1 - 7 VDC
Coil Current @ +25°C	.31 Amp
Differential Voltage Coil:	
Differential Voltage Pick-Up +GEN to BAT	.5 ±15 VDC
Unexcited Bus Pick-Up	24 VDC Maximum
Positive Drop-Out	1 - 18 VDC
Voltage Relay Coil:	
Pick-Up Voltage	21 - 24 VDC
Drop-Out Voltage	18 - 21 VDC
Reverse Current Drop-Out (+BAT to FEN)	6 - 17 Amps
Weight Maximum	2 Lbs. 15 Oz.

**Notes:**

TYPICAL APPLICATION: Reverse current protection for 1000 ampere DC starter/generators and/or transformer rectifier units.

Contact Hartman for a detailed Theory of Operation.

For factory-direct application assistance, contact the HARTMAN product team at (419) 521-9500, Fax (419) 526-2749.

© 2004 by Tyco Electronics Corporation. All Rights Reserved. HARTMAN and TYCO are trademarks.