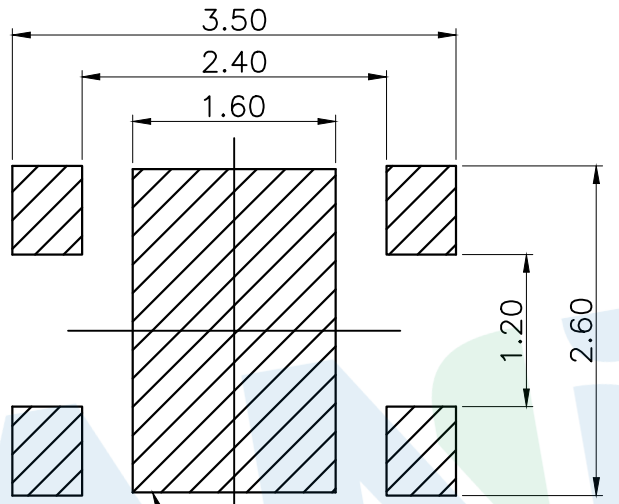
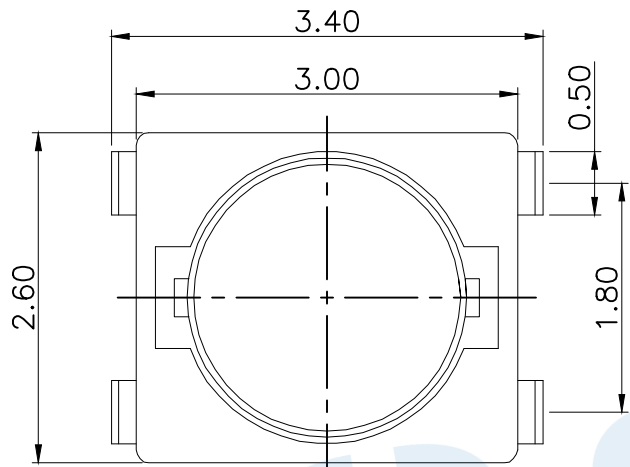
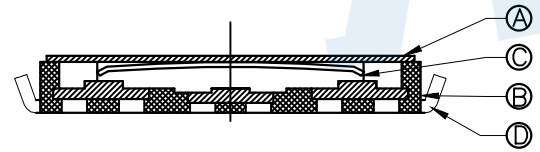
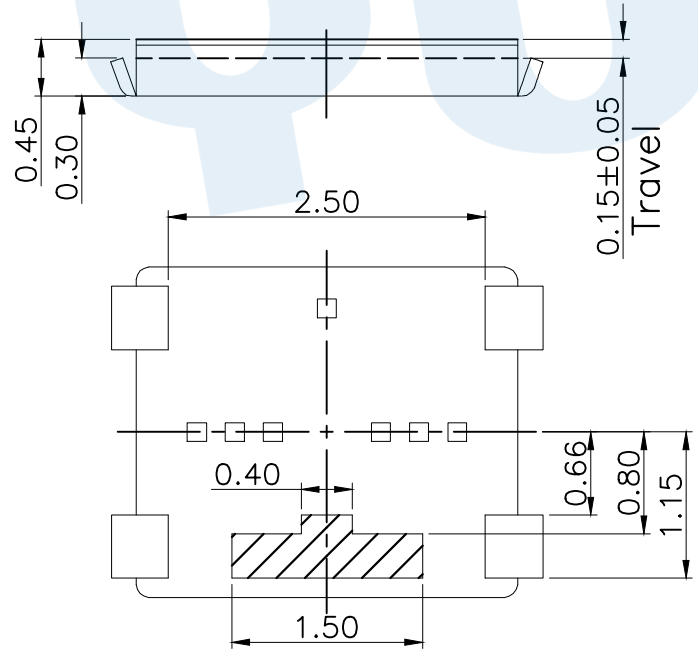


RoHS



Circuit Diagram

PCB Layout (Pattern Side)



OPERATING FORCE	
CODE	VIGOR
B2	200±30gf
B3	300±30gf

SHRAPNEL	
CODE	MATERIAL/QTY
D2	SUS/1PCS
D4	SUS/2PCS

Ⓓ	Terminal		4	Phosphor bronze	Silvering
Ⓒ	Reed		1	SUS	Silvering
Ⓑ	Base		1	Nylon	Black
Ⓐ	Dust film		1	Polyimide tape	
NO.	Name	Number	Qty	Materil	Remarks

YUANDI® Yuandi Electronics Co, Ltd

design	date	name	TACT SWITCHS
Review	date		
Approved	date	name	TS-1060-B□D□

Drawing number: Proportion 1:1 unit mm gage number A4

modify Review Approved Tolerance not specified

angle	±2'
10~30	±0.30
5~10	±0.20
~ 5	±0.10