

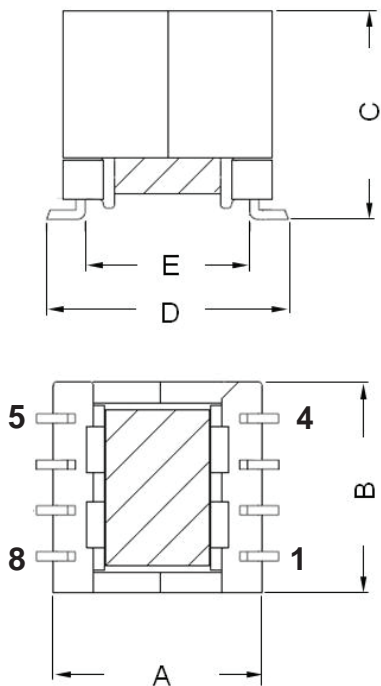


- EP10 Package in SMD
- Operating temperature range: -40°C to +125°C
- TBI-103-.02051.103 Bobbin
- Reflow Condition:
Maximum reflow temperature is 250°C/-5°C
time is 20~40 sec. (Refer to IPC/JEDECJ-STD-020C standard).

Electrical Specifications @25°C					
Inductance Lp @ 200Khz, 0.1V (1 - 4)	Inductance Lp @ 200KHz, 0.1V (5 - 7) & (6 - 8)	Leakage Inductance Ls @ 200KHz, 0.1V (1 - 4) (Tie 5+6+7+8)	DCR (1 - 4)	DCR (5 - 7) & (6 - 8)	Isolation Voltage Pri to Sec
28uH ± 10%	7uH ±10%	.65uH Max	130mΩ Max	45mΩ Max	1000Vac

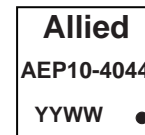
All specifications subject to change without notice.

MECHANICAL
Unit: mm



A	11.50 Max
B	12.00 Max
C	11.50 Max
D	13.20 ± 0.50
E	9.00 Ref
F	2.50 ± 0.20
G	SQ0.50 ± 0.10
Unit : mm	

Marking



SCHEMATICS

