

## Operation: HDMI Connectors A Type(F)插件卧式 & 反向沉板 HDMI 连接器



**LTEM NO.:**HDMI-019P 沉板 DIP 卧式  
(L11.60×W15.00×H6.25mm -MINI HDMI SMT)

**High Definition Multimedia Interface**



### Technical parameter

LEVEL		A[better product]	B[average product]
PROJECT			
	Contact Rating	0.5A, 24V DC	
<b>Electrical Properties</b>	Initial Contact Resistance	30mΩ max.	50mΩ max.
	Insulation Resistance	100MΩ min.500V DC	Skey/PD: 100MΩ min.300V DC
	Withstand Voltage	500V AC for 1 minute	350 V AC for 1 minut
<b>Durable Performance</b>	There No Load	6,000 Cycles	5,000 Cycles
	Rated Load	5,000 Cycles	4,000 Cycles
	Storage temp.	-25℃~+75℃(Operating Temp: )	

沉板插装 DIP

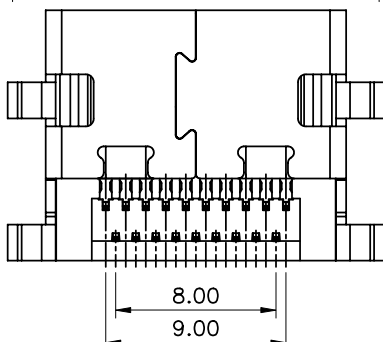
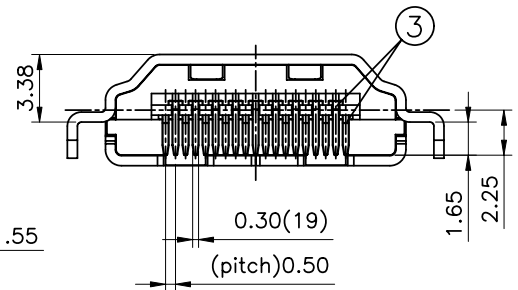
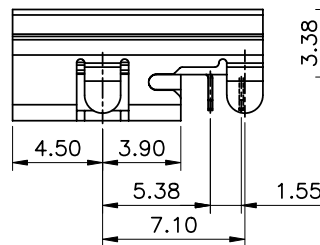
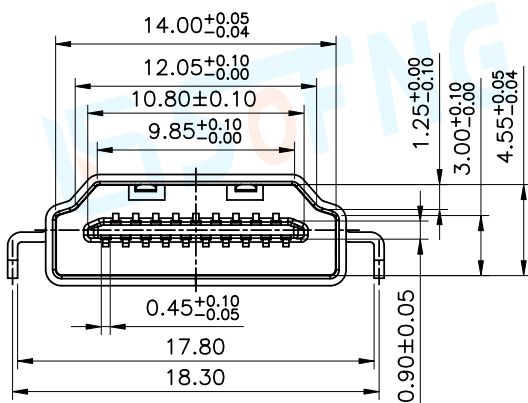
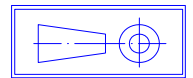
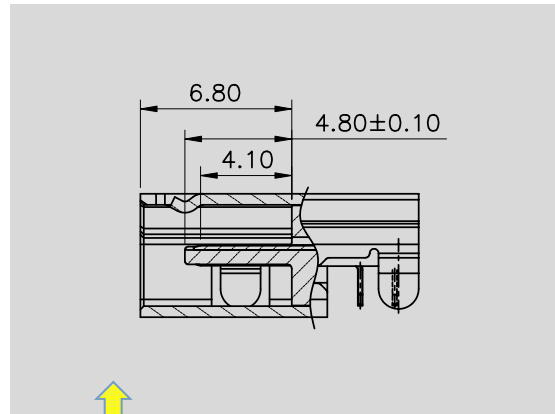
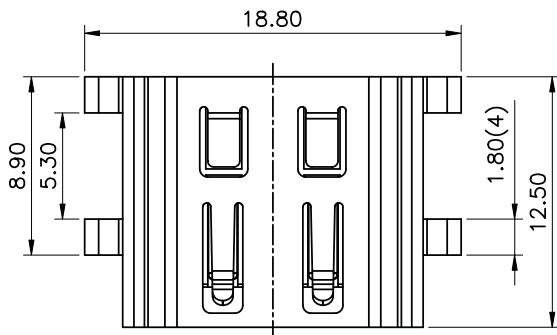
側向導入 LATERAL

精密部品 NICETY

可靠 STABILIZE

適合環保 RoHS

Unit:mm



UNLESS OTHERWISE SPECIFIED TOLERANCES		
X.	+/-	METRIC 0.35
.X	+/-	0.25
.XX	+/-	0.25
FRACTIONS	+/-	
ANGLES	+/-	2.00°
DIMENSIONS		
(METRIC)		(MM)



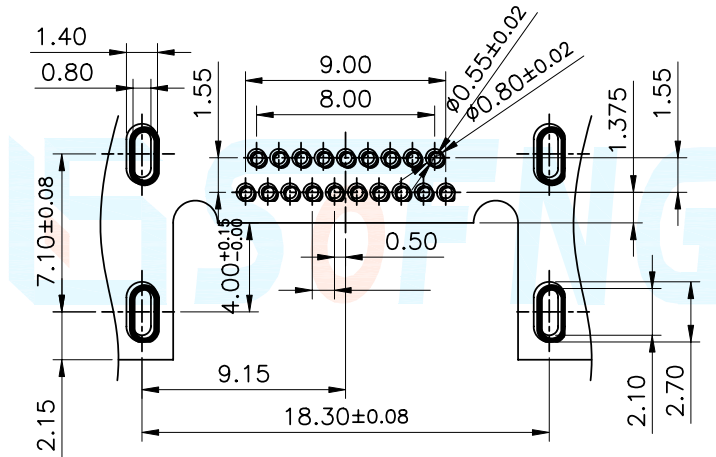
Operating Force

Insertion  
Extraction

44.1N Max.  
9.8N Min, 39.2N Max.

Solder-ability (Max.)

IR Reflow: 255°C, 5sec. Manual: 350°C, 3sec.



Pin Definition

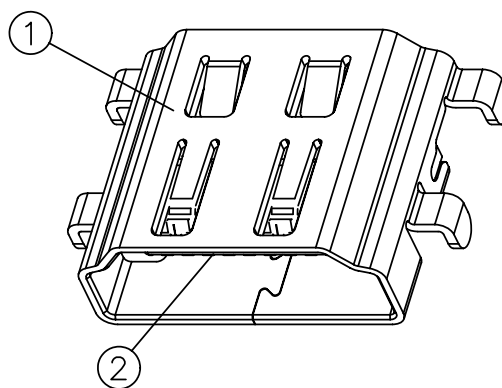


Material declaration

No.	NAME	Type	Description
① A	SHELL	1	黃銅 C2680/SPCC [鍍鎳 100u" min] t=0.50
② B	HOUSING	1	LCP 耐热塑胶 [Black]
③ C	CONTACT3	10	磷銅 C5191 (鍍金 15u" / 锡基 150u) t=0.2
③ D	CONTACT4	9	磷銅 C5191 (鍍金 15u" / 锡基 150u) t=0.2

HDMI PIN Assignmeng

Pin No.	A Type(HDMI)
1	TMDS Data 2+
2	TMDS Data 2 Shield
3	TMDS Data 2-
4	TMDS Data 1+
5	TMDS Data 1 Shield
6	TMDS Data 1-
7	TMDS Data 0+
8	TMDS Data 0 Shield
9	TMDS Data 0-
10	TMDS Clock+
11	TMDS Clock Shield
12	TMDS Clock-
13	CEC
14	Reserved (N.C.)
15	SCL
16	SDA
17	DDC/CEC Ground
18	+5V Power
19	Hot Plug Detect



注記 NOTICE

- 1.碩方公司擁有最終解釋權； The company reserves the right of final interpretation；
- 2.文件禁止外洩、轉載； Leaked and reproduced prohibited；
- 3.未經授權修改無效。 Modify is invalid.



運送時本產品不要直接與水、酸鹼性化學物質接觸,或放置於含有以上氣體環境中,並且需要注意會有滑落、側翻的危險發生; 運輸過程中不能有碰撞或者擠壓,須保證溫度與濕度適中 [常溫 25°C,濕度在 50°C 以內],不可導致材料變形或氧化。