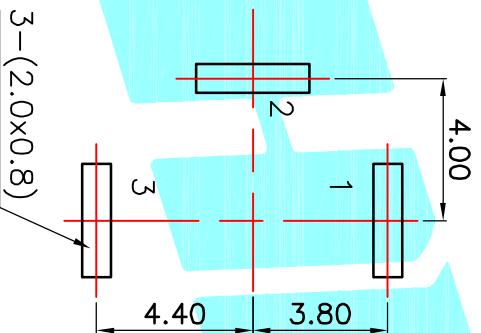


P.C.B LAYOUT(copper—sided view)



Model No.	5.7A=φ8	1	2	3
	5.2A=M8xP0.75	φ2.0	φ2.35	φ2.5
	PIN			

DC-026-A	DC-026-B
DC-026M-A	DC-026M-B

Rating:0.5A 30V DC
 Contact Resistance:100 mΩ Max.
 Operating temperature:—20℃~70℃
 Operating force:3—20N
 Operating Life:5,000cycles

ECN NO.	REV.	DATE.	DESCRIPTION.	CHANGE.	CHECK.	APPRO.	TOLERANCES ARE	30 ^{+0.1} ₋₀	±0.30	ANGLE	UNT:	SCALE:	PROJ.
	A		NEW				10 ^{-0.30} ₋₀	±0.20	±2°	mm	1:1		PROJ.
							5 ^{-0.10} ₋₀	±0.15					PROJ.
							~ 5	±0.10					PROJ.
													SHEET
													1 OF 1

② Terminal	—	③ Phosphor bronze	Au Plating
① Housing	—	1 Nylon	Black
ITEM	PART NAME	TER.NO.	QTY.
APPROVALS	DATE		
DRAWN	J.X.Zhang	2013/11/11	
CHECKED			
APPROVALS			
TITLE:		PHONE JACKS	
DRAWN:		DC-026M	
ELECTRONICS CO.,LTD			
HROELECTRONICS®			