

FEATURES:

- Magnetic designs to support every PHY
- Meet or exceed IEEE 802.3 and ANSI X3.263 standards including 350uH min OCL with 8mA bias
- Minimum 1500Vrms isolation per IEEE 802.3 requirement

YUAN DEAN SCIENTIFIC



**RJ45 Jack
51F/53F SERIES**

**With Magnetics
10/100 Base-T
TAB Up
Vertical (180°)**



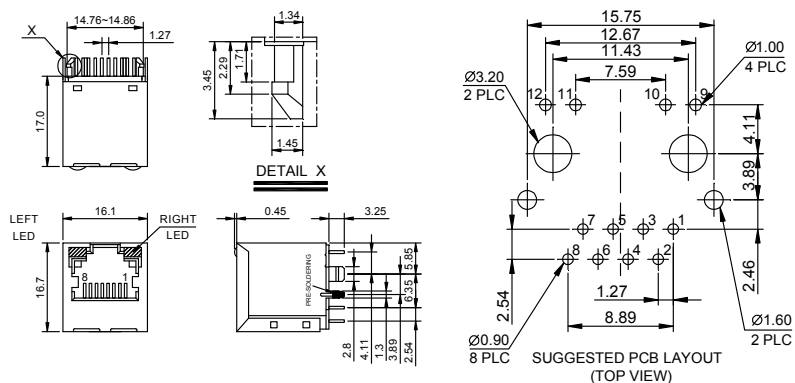
**ELECTRICAL SPECIFICATIONS@25°C
Operating temperature 0°C TO 70°C**

Part Number	Turns Ratio ±5%		DCR (MAX Ω)		LEDS (L/R)	Insertion Loss (dB max)	Return Loss (dB min @100Ω±15Ω)					Crosstalk (dB TYP)			Common Mode Rejection (dB min)			Hipot (V _{rms})
	TX	RX	PRI	SEC			0.3-100 MHz	1-30 MHz	40 MHz	50 MHz	60-80 MHz	30 MHz	60 MHz	100 MHz	30 MHz	60 MHz	100 MHz	
51F-1201GYD2NL	1CT:1	1CT:1	1.0	1.2	G/Y	-1.0	-20	-15	-15	-10	-30	-30	-30	-30	-30	-30	1000	
51F-1203GYD2NL	1CT:1CT	1CT:1CT	-	-	G/Y	-1.1	-18	-	-	-12	-	-	-35	-	-	-35	1500	

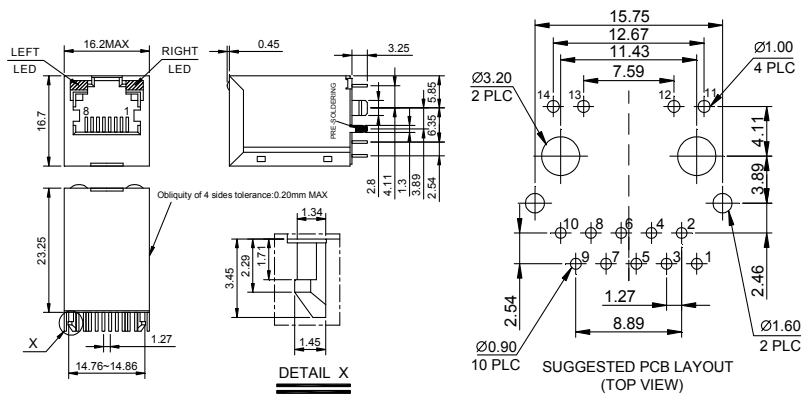


Mechanical

51F



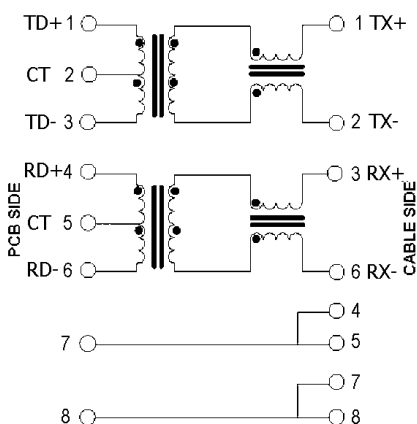
53F



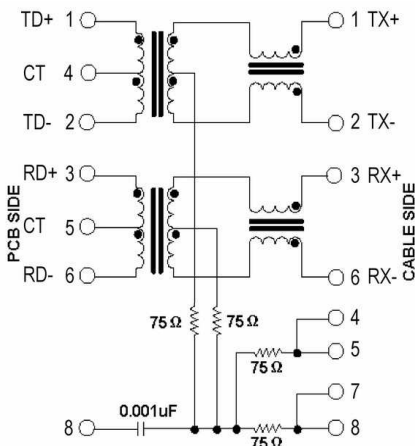
UNIT:mm Unless otherwise specified, all tolerances are ±0.25

Schematics

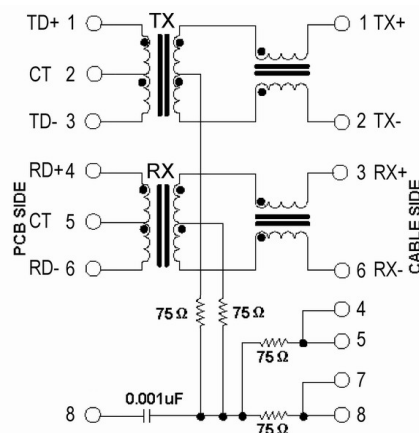
51F-1201



51F-1202

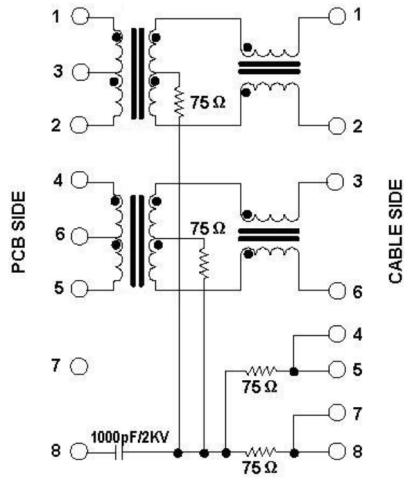


51F-1203



Schematics

51F-1205



51F-1210

