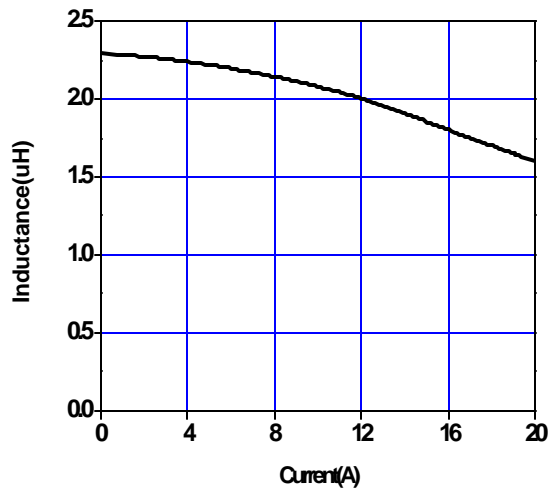
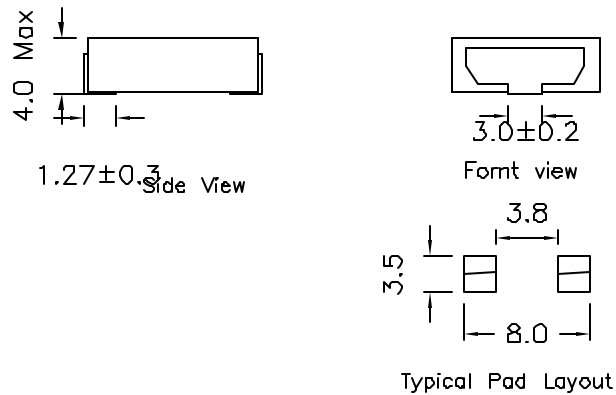
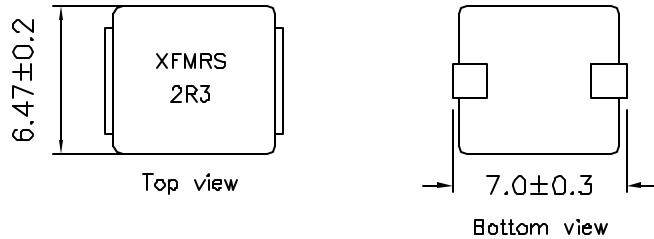
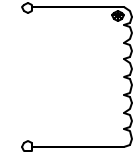


## 1. Mechanical Dimensions:



## 2. Schematic:



## 3. Electrical Specifications:

INDUCTANCE: 2.3uH±20% @100KHz 0.1V

DC Res: 17 mOhms Max

Irms: 8.5A Typ (Based on 40°C Temp Rise)

Isat: 15A Typ (Based on 20% drop in OCL)

### Notes:

- Solderability: Leads shall meet MIL-STD-202G, Method 208H for solderability.
- Flammability: UL94V-0
- ASTM oxygen index: > 28%
- Insulation System: Class F 155°C, UL file E151558
- Operating Temperature Range: All listed parameters are to be within tolerance from -55°C to +120°C
- Storage Temperature Range: -55°C to +125°C
- Aqueous wash compatible
- SMD Lead Coplanarity: ±0.004"(0.102mm)
- Electrical and mechanical specifications 100% tested
- RoHS Compliant Component

<b>XFMRS Inc</b> www.XFMRS.com		Title: HIGH CURRENT INDUCTOR	
UNLESS OTHERWISE SPECIFIED TOLERANCES: .xx ±0.010 Dimensions in INCH	P/N:XFHCL6MA-2R3M	REV. A	
	DWN.	Juan mao	Jun-03-08
	CHK.	YK Liao	
SHEET 1 OF 1	APP.		

DOC REV: A/2

**PROPRIETARY** Document is the property of XFMRS Group & is not allowed to be duplicated without authorization.