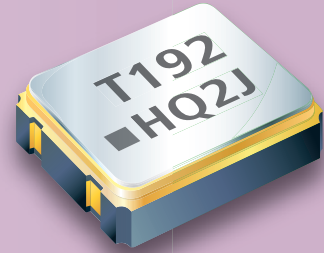


SMD Oscillators- CMOS Output 3.2 x 2.5 x 1.0 mm AU Series

Automotive
 Application Series

Features

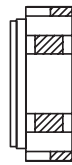
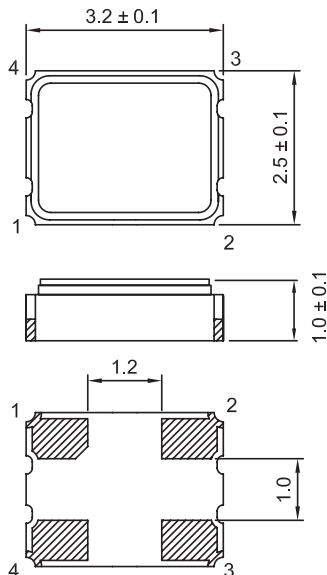
- Ultra small SMD seam sealed clock crystal oscillator units.
- High precision characteristic covering up to high frequency range.
- Designed for automatic mounting and reflow soldering.
- Supply voltage rang:1.8V ~ 3.3V.
- High stability, low jitter, low power consumption.
- RoHS Compliant / Pb Free.



Electrical Specifications

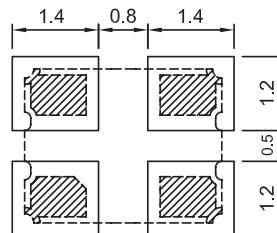
Item / Type	AU	
Output Type	CMOS	
Output Load	15 pF	
Oscillation Mode	Fundamental	
Supply Voltage	1.8 V , 2.5 V , 2.8 V , 3.3 V	
Frequency Range	1 MHz ~ 70 MHz	
Frequency Stability	± 25 ppm , ± 50 ppm , ± 100 ppm	± 100 ppm , or specify
Operating Temperature Range	- 40 ~ + 85 °C	- 40 ~ + 125 °C
Storage Temperature Range	- 55 ~ + 125 °C	
Voltage Vol (Max.) / Voh (Min.)	0.1 VDD / 0.9 VDD	
Rise (Tr) / Fall (Tf) Time	5 ns Max.	
Supply Current	10 mA Max.	
Symmetry	45 ~ 55 %	
Start-up Time	5 ms Max.	
Phase Jitter (12 KHz ~ 20 MHz)	1 ps Max.	
Aging (at 25 °C)	± 3 ppm / year Max.	
Reliability Standard	AEC-Q100	

Dimensions



PAD FUNCTION:
 1:ENABLE CONTROL
 2:GND
 3:OUT
 4:VDD

Suggested Layout



Units: mm

Remark : Specification subject to change without prior notice. Please confirm with our sales. <http://www.txccorp.com>