

## Commander Class

## Class 2

UL/cUL 5085-3

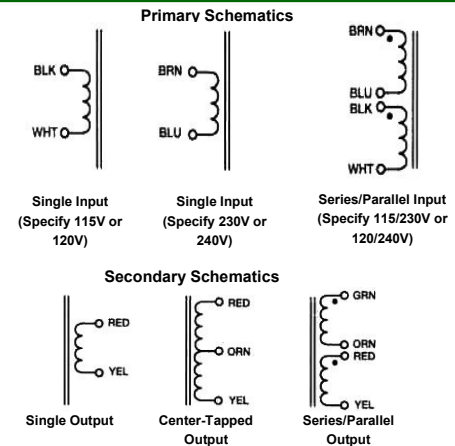
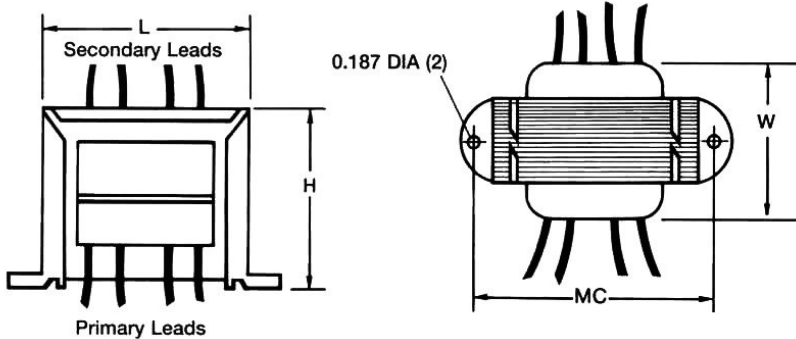
Flame Retardant Material

- Flame Retardant, UL 94V0 Rating
- High Efficiency
- 2.4VA Power Rating
- Single or Dual Primary, 115V, 115/230V or 230V (Optional 120, 120/240, 240V)
- 50/60Hz (Economy 60Hz-only Models Available)
- Single Secondary (Optional Dual or Center-tapped)
- Any Secondary Voltage from 5V to 20V in 1V Increments
- Insulation Material 130°C Standard (Optional 200°C)
- Optional Internal Current or Thermal Protector
- High Isolation, 2500 Vrms, 100% Tested
- Low Capacitive Coupling, no Electrostatic Shield Needed
- Color Coded Hook-up Wires



### Agency Approvals:

- UL/cUL 5085-2 Recognized (File E47299)
- UL 1446 Recognized Insulation system (File E95662)
- UL/cUL 5085-3 Class 2 Recognized (File E43609), L002 (up to 24V)



| VA Rating |       | Output Voltage | Dimensions (Inches) |      |      |      |
|-----------|-------|----------------|---------------------|------|------|------|
|           |       |                | L                   | W    | H    | MC   |
| L002      | 2.4VA | Up to 24V only | 1.45                | 1.40 | 1.19 | 1.75 |

### Partial Selection Guide (Standard Stock)

| Part Number  |                  |              |               |
|--------------|------------------|--------------|---------------|
| 115V Primary | 115/230V Primary | 230V Primary | Secondary     |
| L002-1-710X  | L002-2-710X      | L002-3-710X  | 10V @ 250mA   |
| L002-1-712X  | L002-2-712X      | L002-3-712X  | 12.6V @ 200mA |
| L002-1-716X  | L002-2-716X      | L002-3-716X  | 16V @ 150mA   |
| L002-1-720X  | L002-2-720X      | L002-3-720X  | 20V @ 120mA   |
| L002-1-724X  | L002-2-724X      | L002-3-724X  | 24V @ 100mA   |

Take advantage of these pre-designed models, or let us customize to your requirements. That's our specialty.