

DA30-P736

custom power relay

DURAKOOL



- power relay with PCB option
- Up to 30A rating (switched), 32A (carry)
- compact form factor
- high isolation with > 6mm contact gap
- RoHS Compliant

Contacts

Contact number & arrangement	SPST-NO (1 Form X)	
Contact material	AgNi 90/10	
Max. switching voltage	AC/DC	400VAC / 125VDC
Max. switching power	7500VA	
Min. switching current / voltage	10mA/10VDC	
Rated load	AC1	32A, 277VAC (carry); 30A, 250VAC (switched)
	DC1	30A / 30VDC (switched)
Initial resistance	Max: 50mΩ, Typical: 5mΩ	

Coil

Rated voltage	DC	12VDC
Operating range of supply voltage	See coil table 1	
Rated power consumption	DC	1.3W

Insulation

Insulation resistance	≤ 1000MΩ at 500VDC, 50%RH	
Dielectric strength	coil to contact	>4000Vrms, 1min
	coil to contact, creepage and clearance	>8mm
	between open contacts	2500Vrms, 1min; Contact gap: >6mm (2 x >3mm)
	open contacts, creepage distance	>8mm

General Data

Operating time (max)	mS	≤ 10ms (excluding bounce time)
Release time (max)	mS	≤ 12ms
Electrical Life	ops	≥ 1 x 10 ⁵
Mechanical life	ops	≥ 1 x 10 ⁷
Dimensions	L x W x H	42 x 35.5 x 35.5mm (see Fig 1)
Weight	73g	
Ambient temperature	storage	-40 to 105°C
	operating	-40 to 95°C
Shock resistance	20g / 11mS	
Vibration resistance	DA 1.5mm 10-55Hz / 20g	

Specifications are subject to change without notice. E&OE.

DURAKOOL

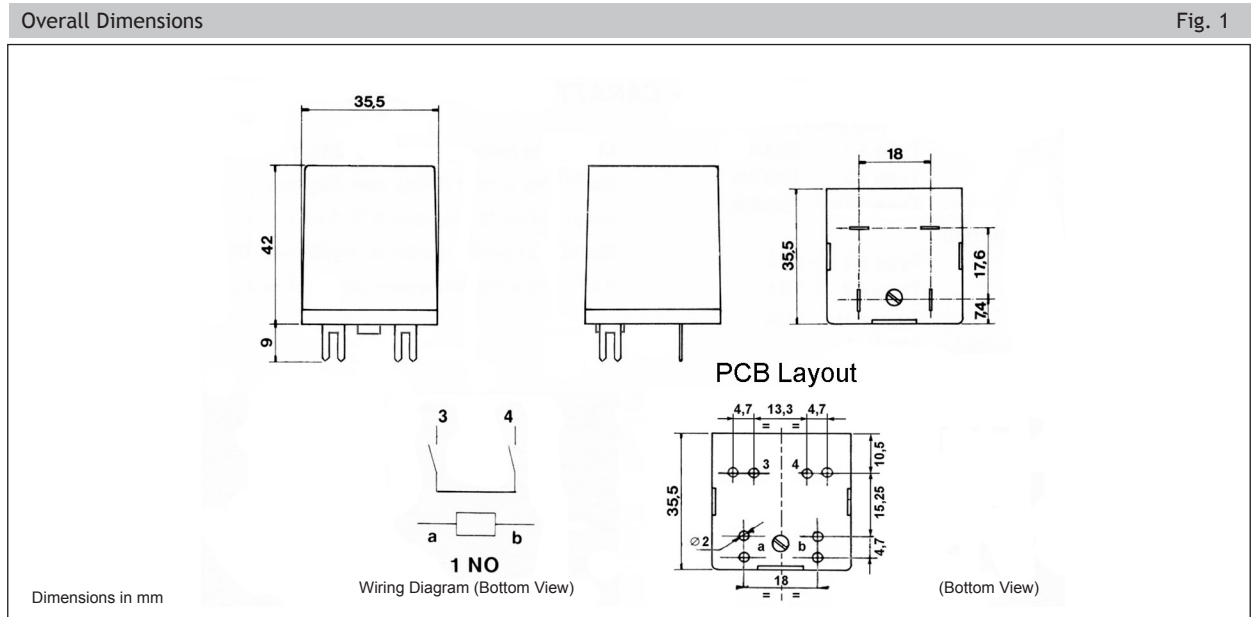
DA30-P736

custom power relay

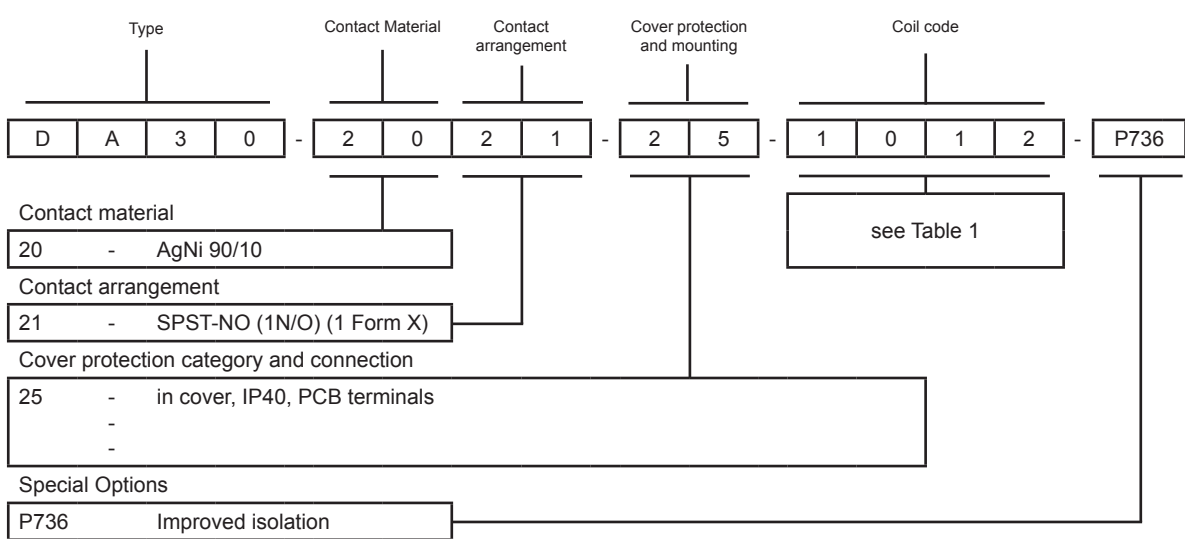


Coil Data (DC coil)					Table 1	
Coil Voltage Code	Nominal Voltage (VDC)	Coil Resistance (Ω) $\pm 10\%$	Coil Current mA	Coil operating range (at 20°C) VDC		
				min.	max.	
1012	12	90	133	9.6	13.2	

Operating relays below or above the nominal voltage may prove detrimental to overall performance.



Ordering codes



Specifications are subject to change without notice. E&OE.

