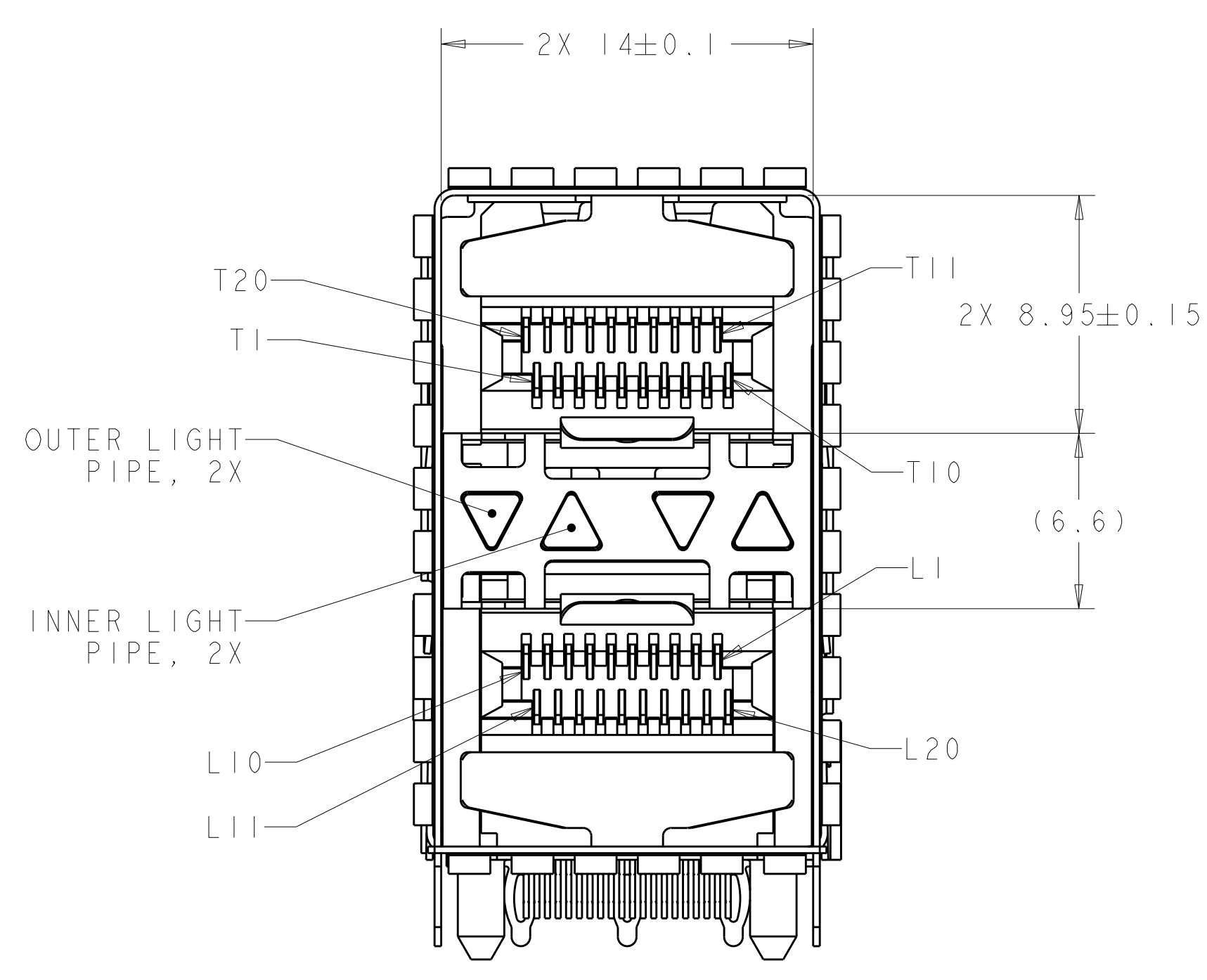
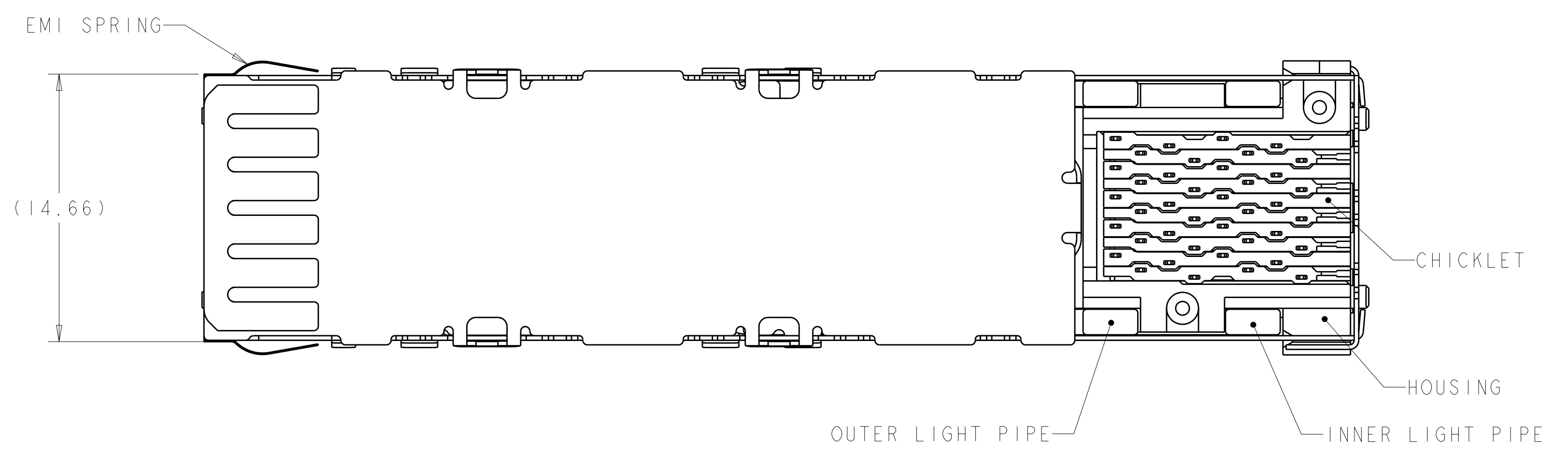
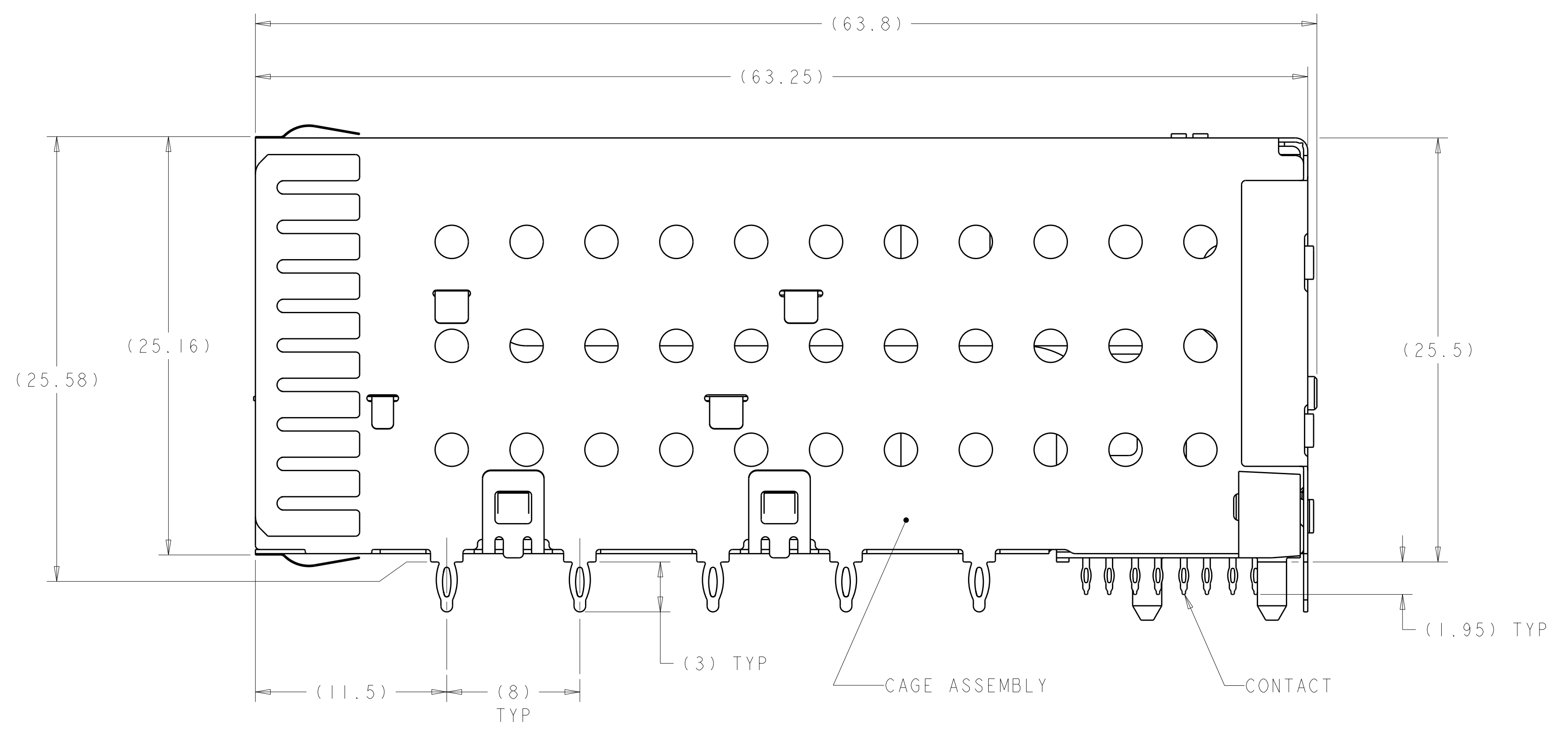


LOC	DIST	REV	DATE	BY	CHK	APPV
GP	00	B1	11MAR2011	RK	HMR	



2007492-1 AS SHOWN



- 1 MATERIALS:  
CAGE ASSEMBLY- NICKEL SILVER ALLOY PER ASTM B 122.  
EMI SPRING- COPPER ALLOY.  
HOUSING- BLACK LCP, UL 94V-0 RATED.  
CHICKLET- BLACK LCP, UL 94V-0 RATED.  
LIGHT PIPE- POLYCARBONATE, CLEAR, UL 94V-2 RATED.  
INSERT - (FOR LIGHT PIPE PART NUMBERS ONLY) - PBT, BLACK, UL 94V-0.  
CONTACT- COPPER ALLOY.
- 2 DATUM AND BASIC DIMENSIONS ESTABLISHED BY CUSTOMER.
- 3. MINIMUM PCB THICKNESS OF 1.5.
- 4 CONTACT FINISH- CONFORMS TO THE REQUIREMENTS OF TE CONNECTIVITY PRODUCT SPECIFICATION 108-2331, BASED ON EIA/ECA-364-1000.01A, (CONTROLLED ENVIRONMENT APPLICATIONS) ON MATING INTERFACE, TIN-LEAD ON NEEDLE EYE.
- 5 CONTACT FINISH- CONFORMS TO THE REQUIREMENTS OF TE CONNECTIVITY PRODUCT SPECIFICATION 108-2331, BASED ON EIA/ECA-364-1000.01A, (CONTROLLED ENVIRONMENT APPLICATIONS) ON MATING INTERFACE, TIN ON NEEDLE EYE.
- 6 FOR HOLE SIZE AND PLATINGS, SEE APPLICATION SPEC 114-13219.
- 7 THE ENTIRE AREA OF THE CONNECTOR FOOTPRINT, INDICATED BY THE DASHED LINE, TO BE CONSIDERED THE KEEPOUT AREA FOR COMPONENTS AND SIGNAL TRACES, TOP SIDE ONLY. TOP SIDE TRACES ALLOWED WITHIN CONNECTOR HOLE PATTERN.
- 8 LIGHT PIPE PAD LAYOUT IS FOR 0805 LOW PROFILE LED PACKAGE WITH A HEIGHT OF 0.8mm.
- 9 EMI SPRING FINISH: 0.8µm MINIMUM MATTE TIN OVER 0.8µm MINIMUM NICKEL, NONPLATED EDGES PERMISSIBLE.

FINISH	DESCRIPTION	PART NUMBER
5	NO LIGHT PIPES	2007492-8
	OUTER 2 LIGHT PIPES	2007492-7
	INNER 2 LIGHT PIPES	2007492-6
4	4 LIGHT PIPES	2007492-5
	NO LIGHT PIPES	2007492-4
	OUTER 2 LIGHT PIPES	2007492-3
	INNER 2 LIGHT PIPES	2007492-2
	4 LIGHT PIPES	2007492-1

THIS DRAWING IS A CONTROLLED DOCUMENT.

STE TE Connectivity

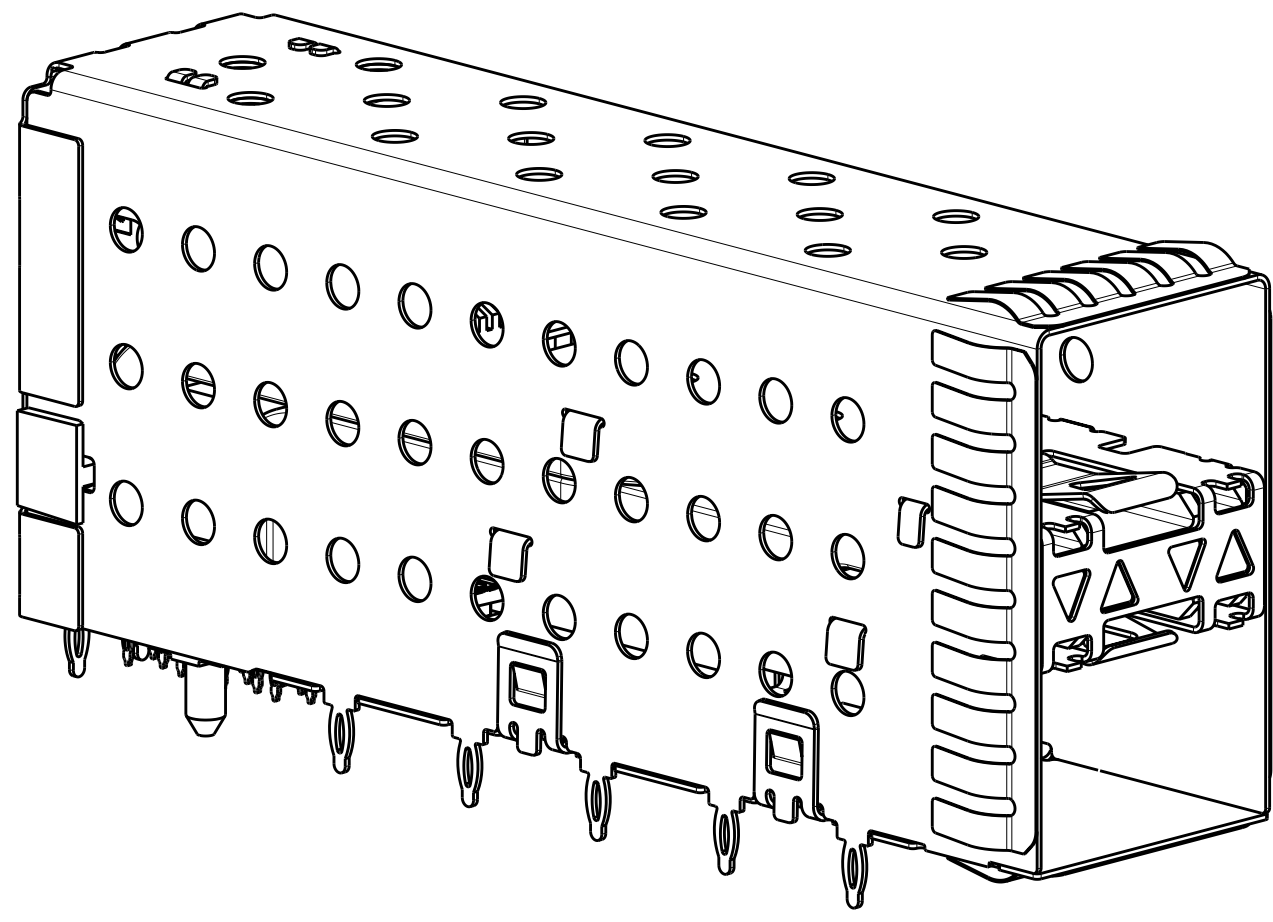
CAGE AND PT CONNECTOR ASSEMBLY, WITH EMI SPRINGS, PRESS FIT, 2X1, STACKED SFP+

114-13219

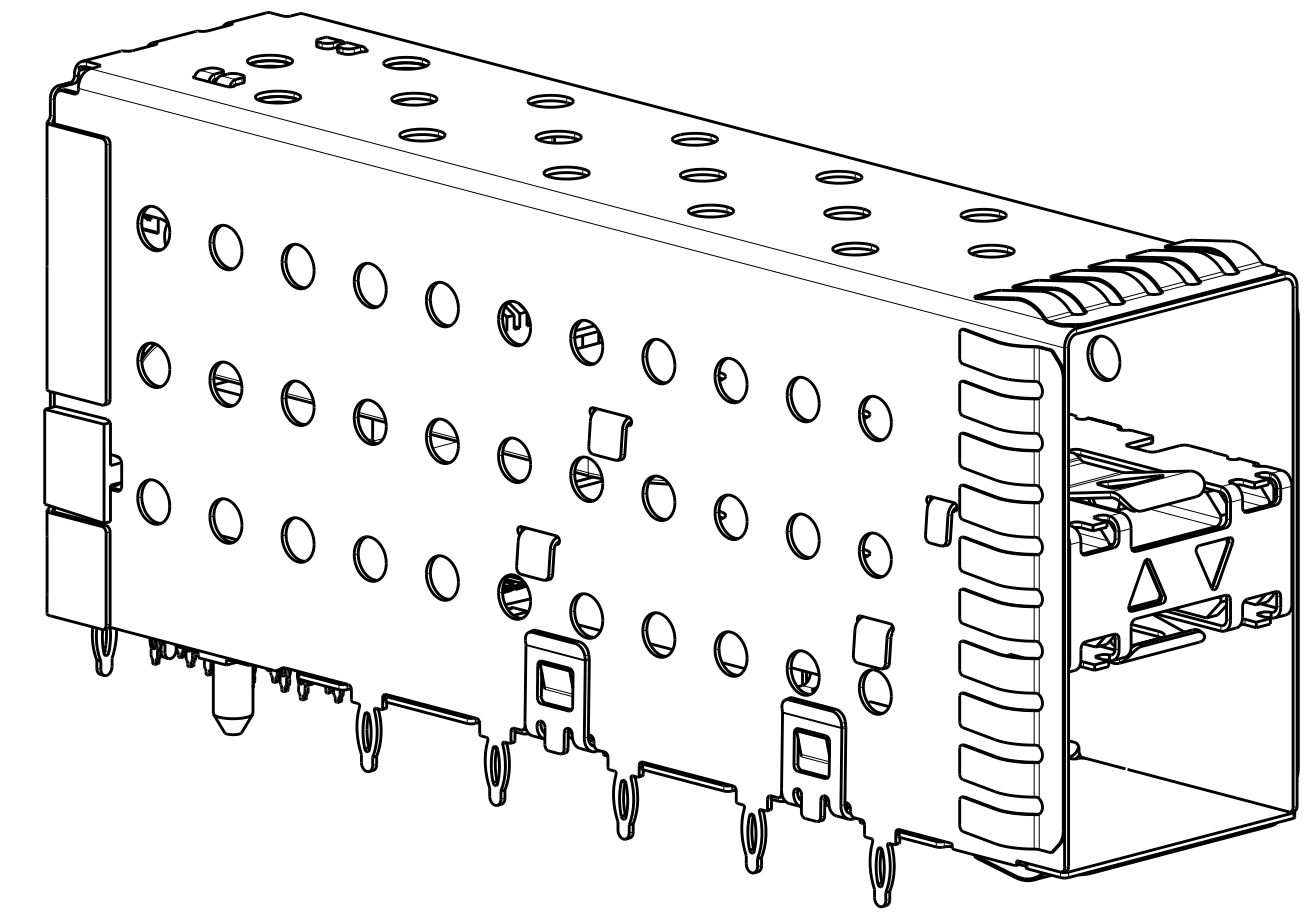
100779C=2007492

SCALE 5:1 SHEET 1 OF 4 REV B1

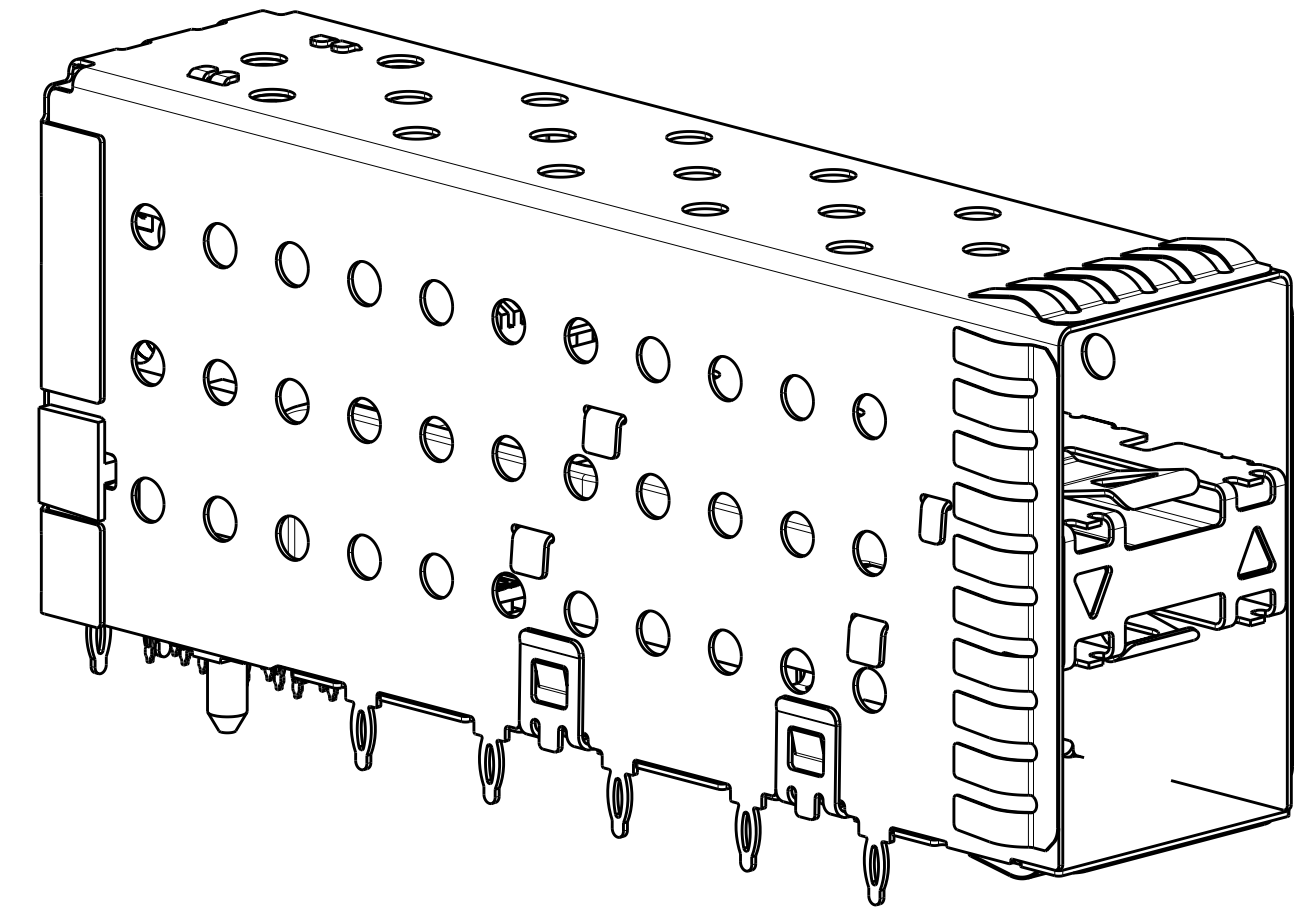
LOC	DIST	REVISIONS					
GP	00	P	LTB	DESCRIPTION	DATE	DWN	APVD
		-	-	SEE SHEET 1	-	-	-



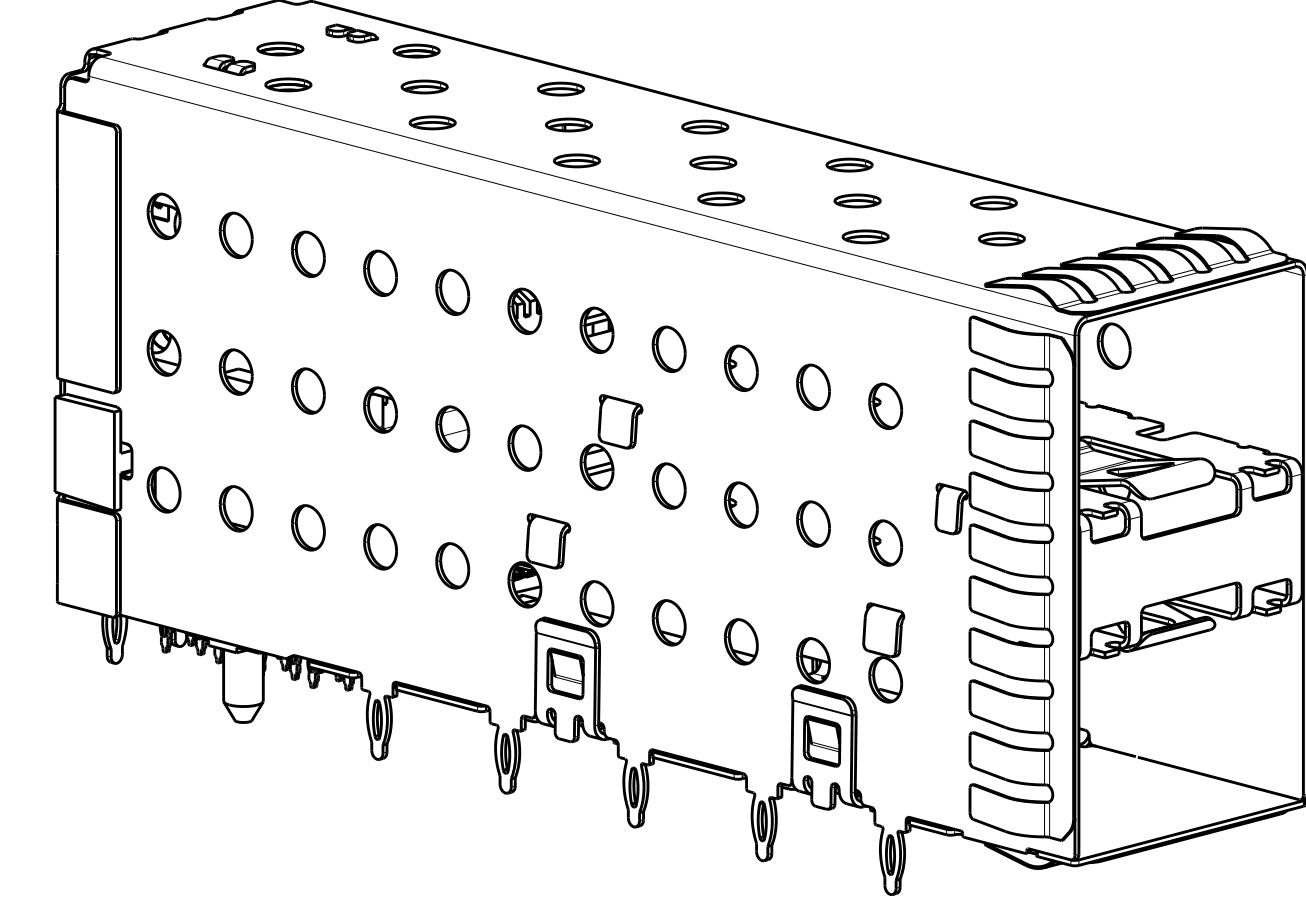
2007492-1 AND 2007492-5  
 SCALE 3:1




2007492-2 AND 2007492-6  
 SCALE 3:1



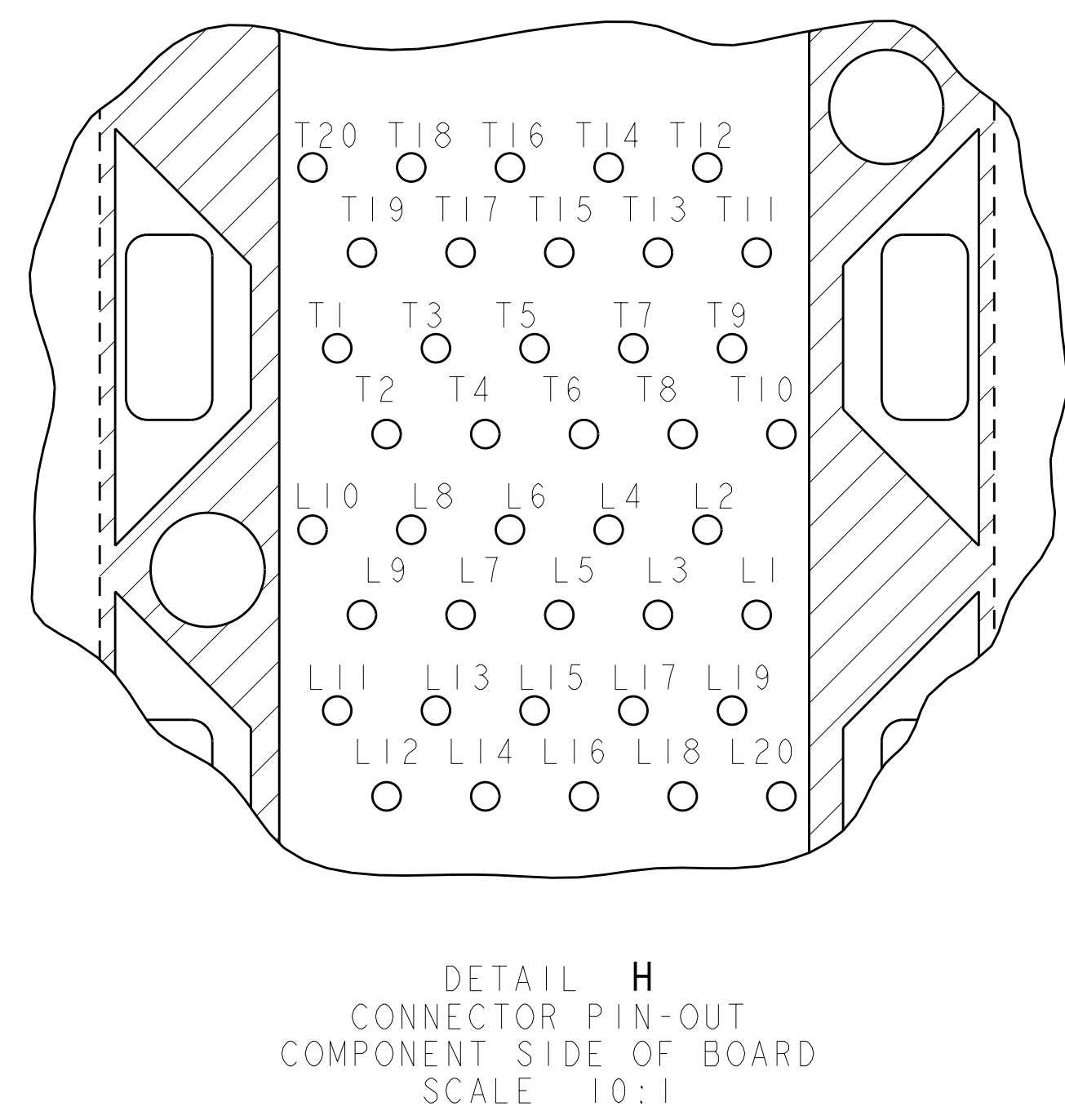
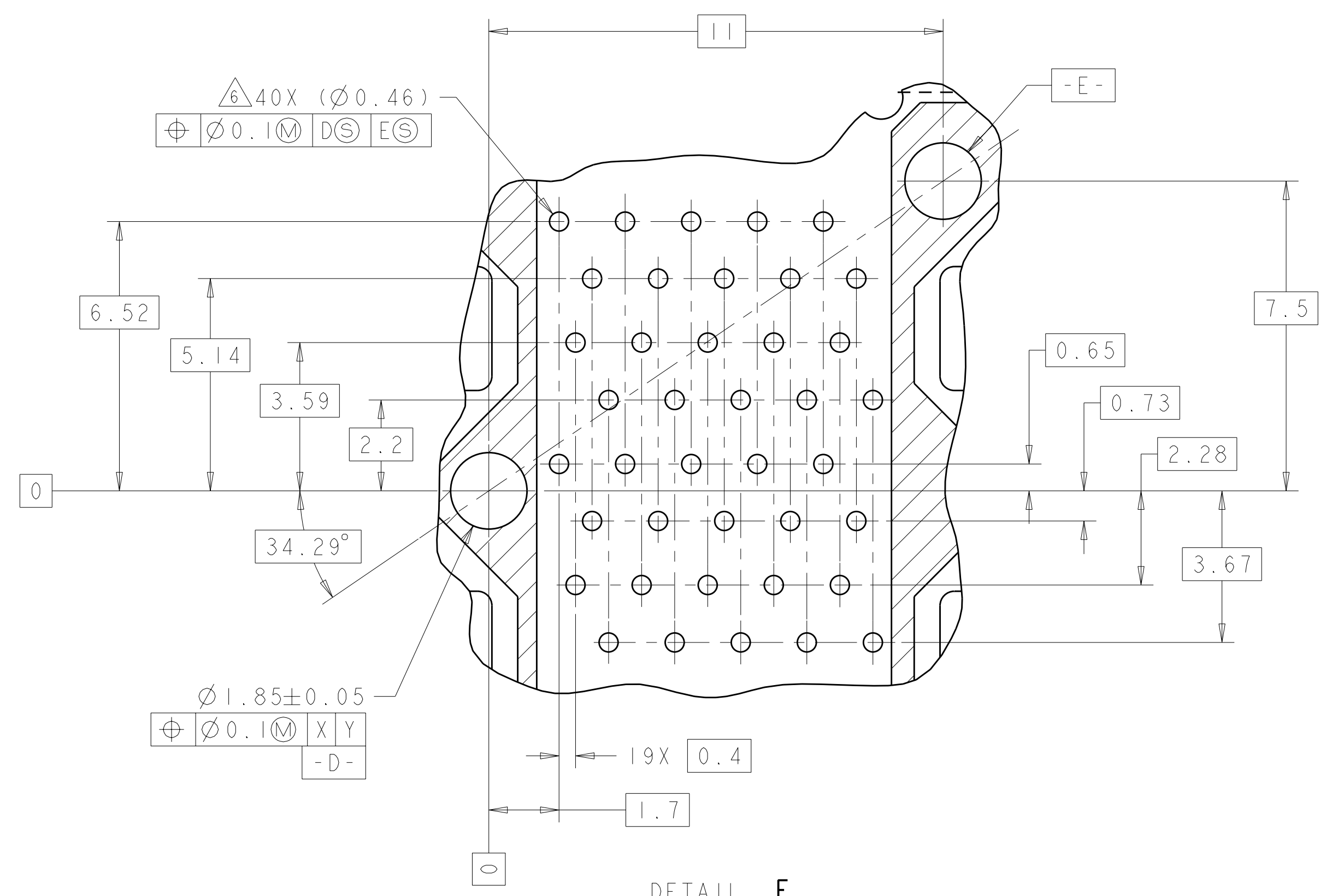
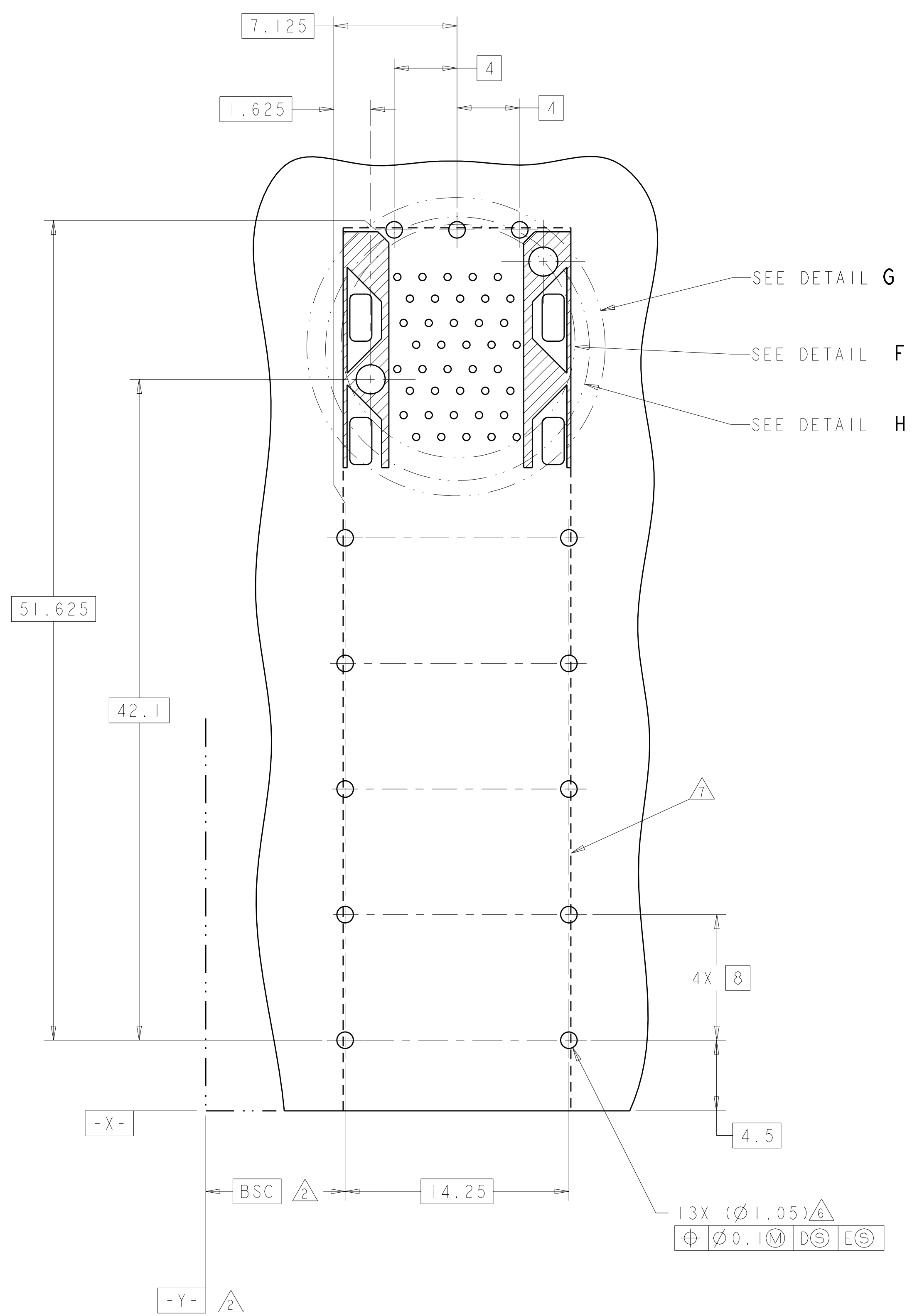
2007492-3 AND 2007492-7  
 SCALE 3:1



2007492-4 AND 2007492-8  
 SCALE 3:1

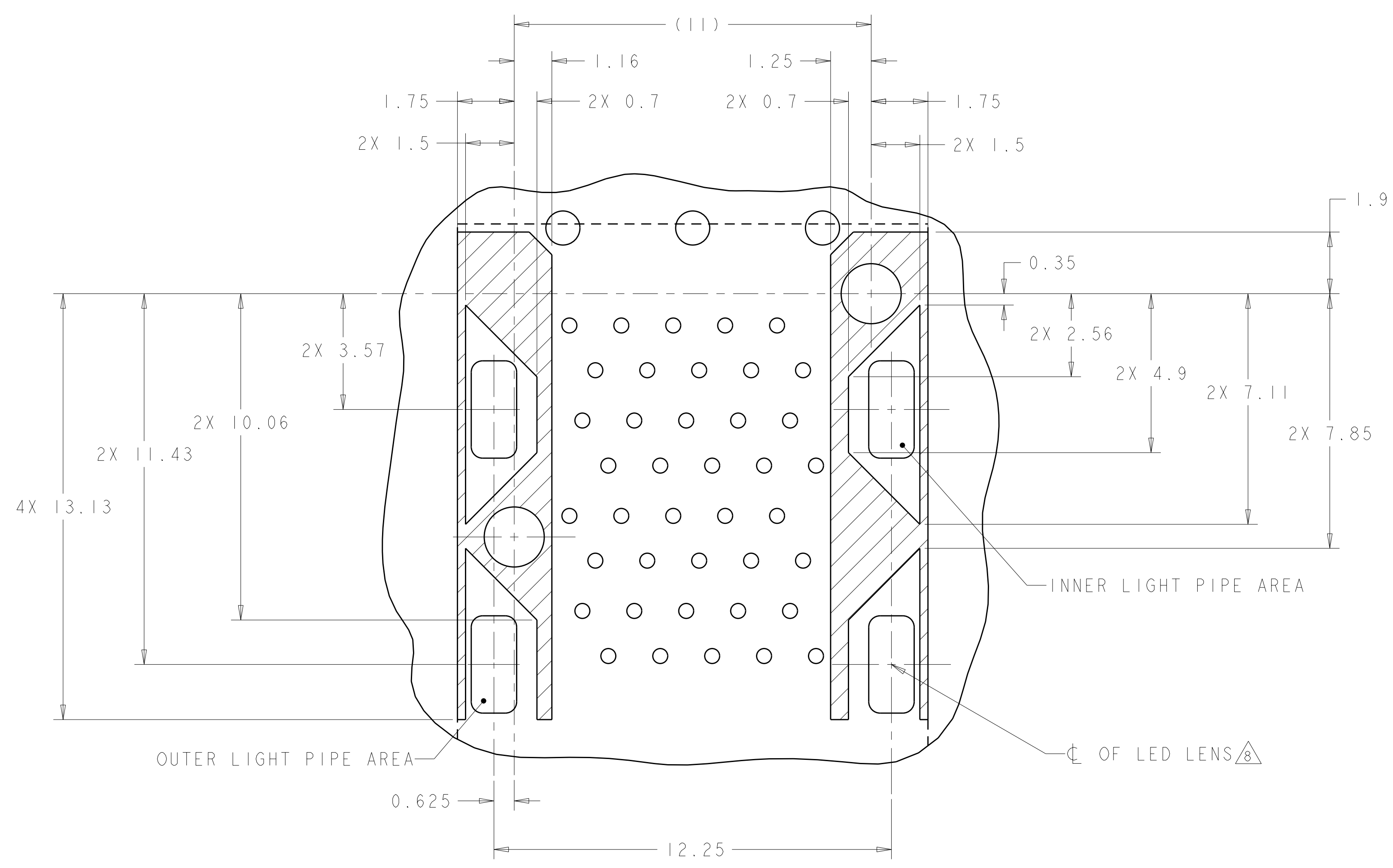
THIS DRAWING IS A CONTROLLED DOCUMENT.		DWN	M. SHIRK	30NOV2007	 TE Connectivity NAME CAGE AND PT CONNECTOR ASSEMBLY, WITH EMI SPRINGS, PRESS FIT, 2X1, STACKED SFP+
DIMENSIONS:		CHK	D. SZCZESNY	30NOV2007	
mm		APVD	D. SZCZESNY	30NOV2007	
TOLERANCES UNLESS OTHERWISE SPECIFIED: 9 PLC ±0.10 7 PLC ±0.10 5 PLC ±0.10 4 PLC ±0.10 ANGLES ±° FINISH ±		PRODUCT SPEC	108-2331	APPLICATION SPEC	
MATERIAL	-	FINISH	-	114-13219	RESTRICTED TO
MATERIAL		CUSTOMER DRAWING		WEIGHT	-
MATERIAL		CUSTOMER DRAWING		SCALE	5:1
MATERIAL		CUSTOMER DRAWING		SHEET	2 OF 4
MATERIAL		CUSTOMER DRAWING		REV	B1

LOC	DIST	REV	DATE	BY	APPD
GP	00				
REVISIONS					
		SEE SHEET 1			

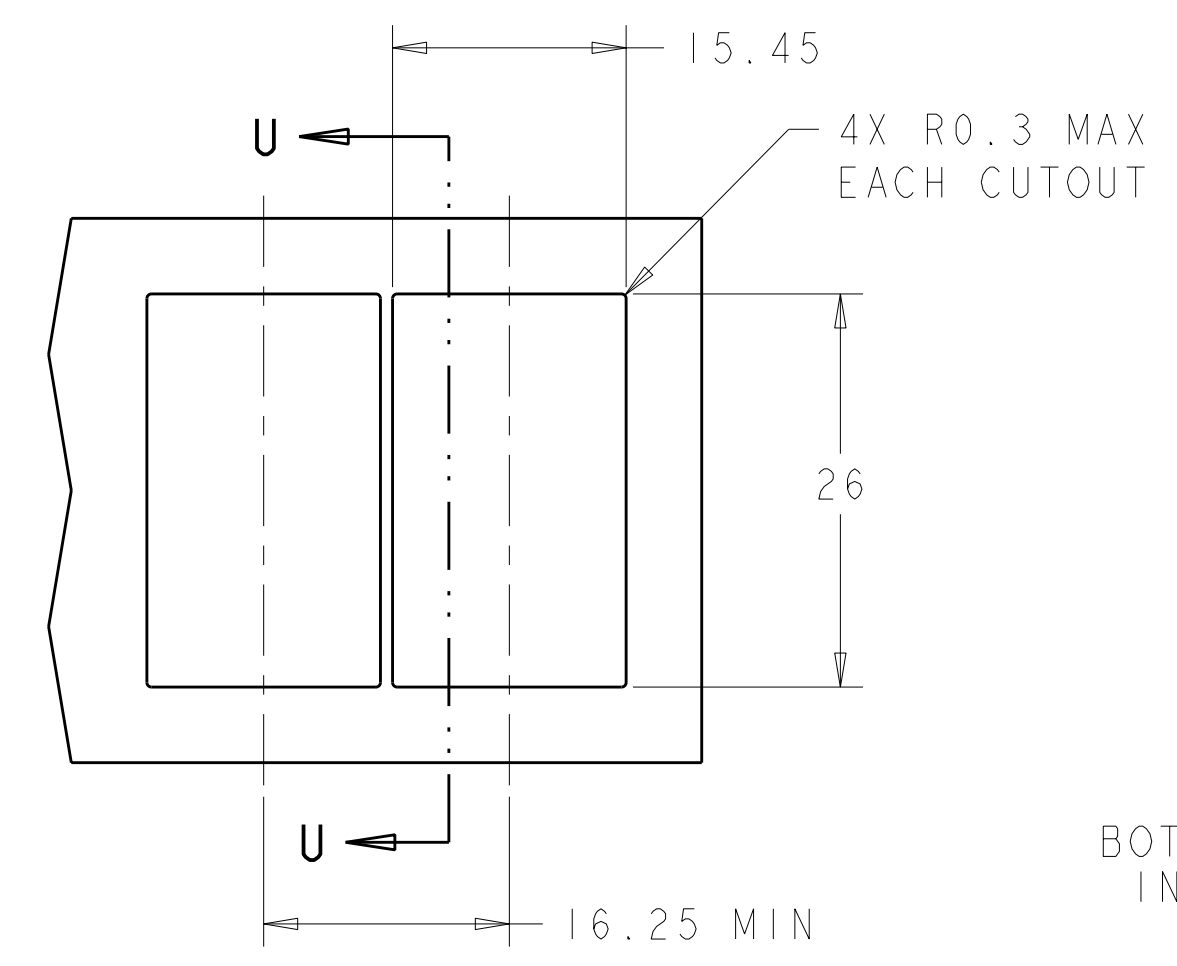


THIS DRAWING IS A CONTROLLED DOCUMENT.		DWN: M. SHIRK 30NOV2007 CHK: D. SZCZESNY 30NOV2007 APVD: D. SZCZESNY 30NOV2007	TE Connectivity
DIMENSIONS: mm	TOLERANCES UNLESS OTHERWISE SPECIFIED: 9 PLC ±0.10 3 PLC ±0.10 5 PLC ±0.10 4 PLC ± ANGLES ±°	NAME: CAGE AND PT CONNECTOR ASSEMBLY, WITH EMI SPRINGS, PRESS FIT, 2X1, STACKED SFP+ PRODUCT SPEC: 108-2331 APPLICATION SPEC: 114-13219 WEIGHT: - FINISH: -	
MATERIAL: -		CUSTOMER DRAWING	

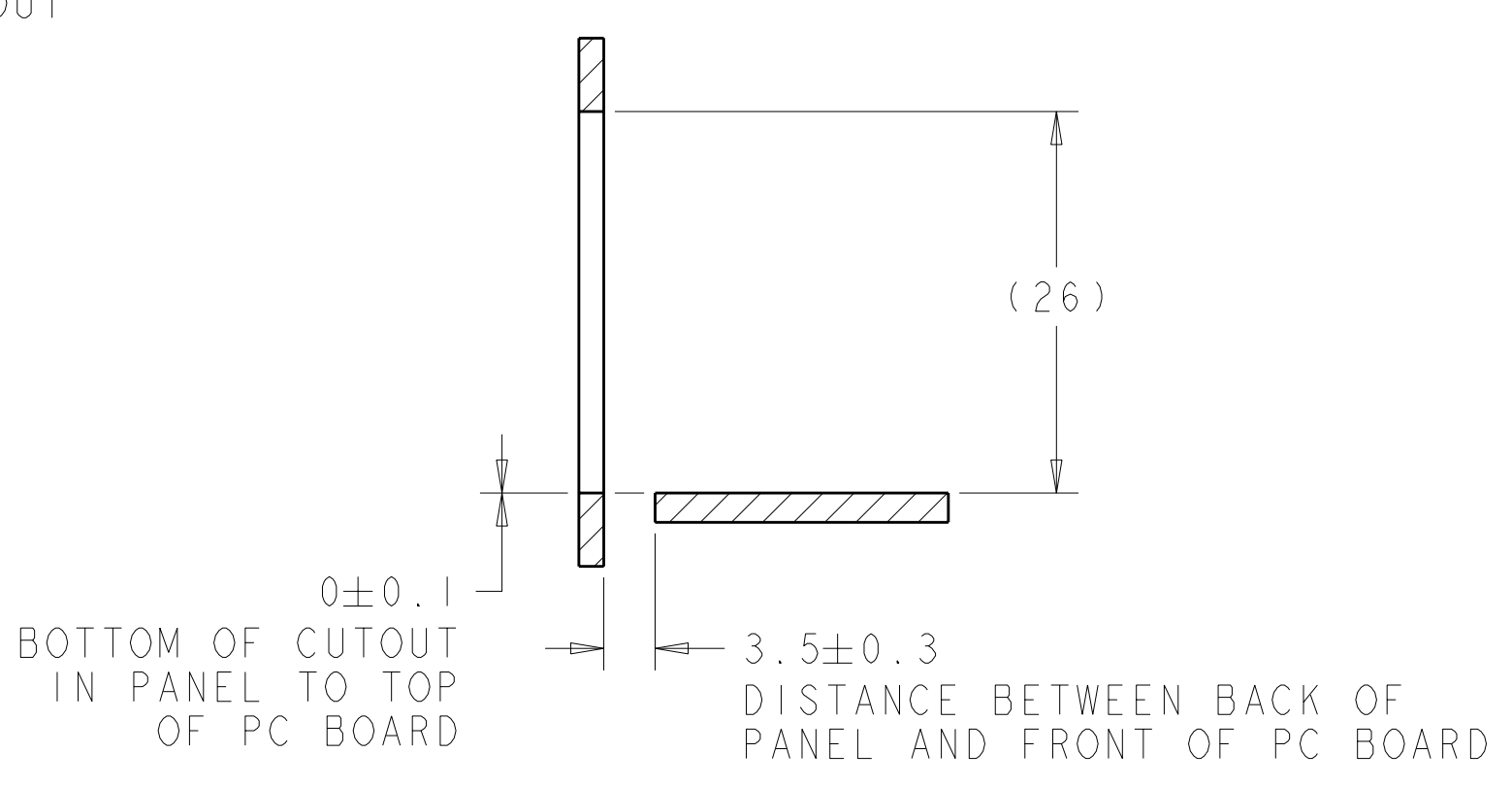
LOC	DIST	REVISIONS			
GP	00	REV	DATE	BY	APPD
		-	-	-	-
		SEE SHEET 1			



DETAIL G  
CONNECTOR HOUSING  
KEEPOUT ZONE  
SCALE 10:1



RECOMMENDED PANEL CUTOUT  
AND PC BOARD, PANEL POSITION  
SCALE 2:1



SECTION U-U

THIS DRAWING IS A CONTROLLED DOCUMENT.		DWN: M. SHIRK 30NOV2007	TE Connectivity
DIMENSIONS: mm		CHK: D. SZCZESNY 30NOV2007	
TOLERANCES UNLESS OTHERWISE SPECIFIED:		APVD: D. SZCZESNY 30NOV2007	NAME: CAGE AND PT CONNECTOR ASSEMBLY, WITH EMI SPRINGS, PRESS FIT, 2X1, STACKED SFP+
9 PLC ±0.10	2 PLC ±0.10	PRODUCT SPEC: 108-2331	SIZE: A100779
5 PLC ±0.10	4 PLC ±0.10	APPLICATION SPEC: 114-13219	DRAWING NO: C=2007492
ANGLES ±°	FINISH	WEIGHT	RESTRICTED TO
MATERIAL		CUSTOMER DRAWING	SCALE: 5:1 SHEET 4 OF 4 REV: B1