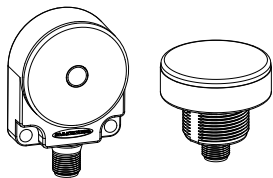


General-Purpose LED Work Lights



Shown are flat-mount model with push-button (left) and 30 mm base-mount model without the push-button

- Designed for enclosure or area lighting
- Use with an optional flex arm mount for adjustable, industrial task lighting
- Illuminates a large area with an even pattern of light
- Standard or push-button models available
- Flat-mount or 30 mm base-mount models available
- Rugged, sealed polycarbonate housing rated to IP69K (standard models) or IP67 (push-button models)
- Low-profile design with several mounting options
- 12 to 30 V dc operation
- Cabled and quick-disconnect models available
- Low power consumption; less than 3 watts

Models

Flat-mount models include a 48 mm (1.9 in) circular velcro mounting kit for easy mounting with no additional hardware.

Model ¹	Push-Button	Mounting Style	Input
WL50F-2	Standard (no push-button)	Flat-mount	12 to 30V dc
WL50-2		30 mm base-mount	
WL50F-2PB	Push-button	Flat-mount	
WL50-2PB		30 mm base-mount	

Specifications

Supply Voltage and Current

12 V to 30 V dc

Use only with suitable Class 2 power supply.

Max. current at -40 °C (-40 °F):

- 233 mA at 12 V dc
- 110 mA at 24 V dc
- 90 mA at 30 V dc

Max. Input Power: 2.8 watts

Power-Up Response Time

Light On: 1 ms (max.) for models without push-button

Construction

Polycarbonate housing; nickel-plated QD connector or PVC-jacketed cable

Environmental Rating

Standard models: IEC IP67, IP69K per DIN 40050

Push-Button Models: IEC IP67

Operating Conditions

-40 °C to +50 °C (-40 °F to +122 °F)

Light Characteristics

Color temperature (CCT): 6000–7000K

Color: Cool white

Lumen output at 25 °C (77 °F) typical: 185 lumens

Luminous efficacy at 25 °C (77 °F) typical: 72 lumens per watt

Lux (typical):

- at 0.5 m (1.6 ft): 350 lux
- at 1.0 m (3.3 ft): 88 lux
- at 2.0 m (6.6 ft): 22 lux

Connections

Integral 4-pin Euro-style QD, 150 mm (5.9 in) PVC pigtail with QD, or 2 m (6.5 ft) integral cable, depending on model

Certifications



UL Recognized for easy installation in control cabinets

Application Note

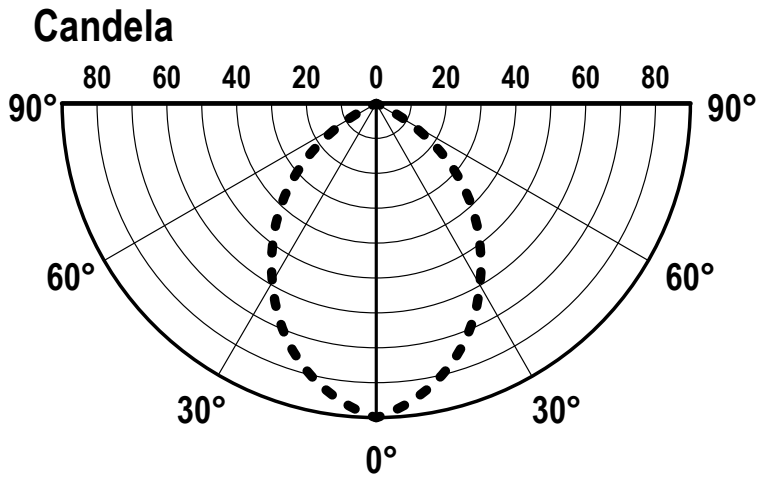
Push-button models: When power is initially applied to the device, or following a power interruption and the light is off, push the push-button to turn the light on.

¹ Only standard 2 m (6.5 ft) cable models are listed.

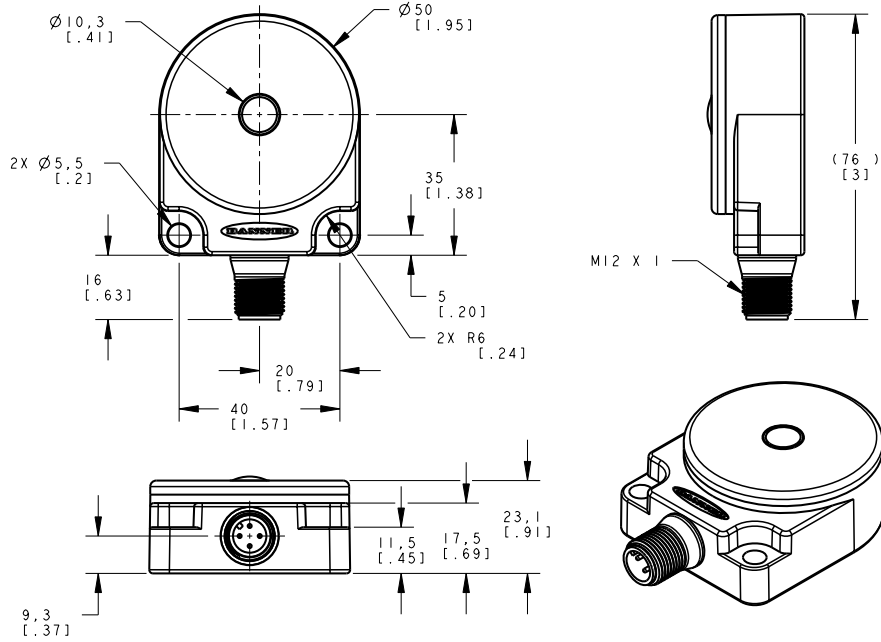
- For 9 m (30 ft) cable: add suffix W/30 to the model number, for example, WL50F-2 W/30.
- For 4-Pin Euro-style Integral QD connector, add suffix Q to the model number, for example, WL50F-2Q.
- For 150 mm (6 in) 4-pin Euro pigtail QD, add suffix QP to the model number, for example, WL50F-2QP.
- A model with a QD requires a mating cordset (see [Cordsets](#) on page 4).



Intensity Distribution

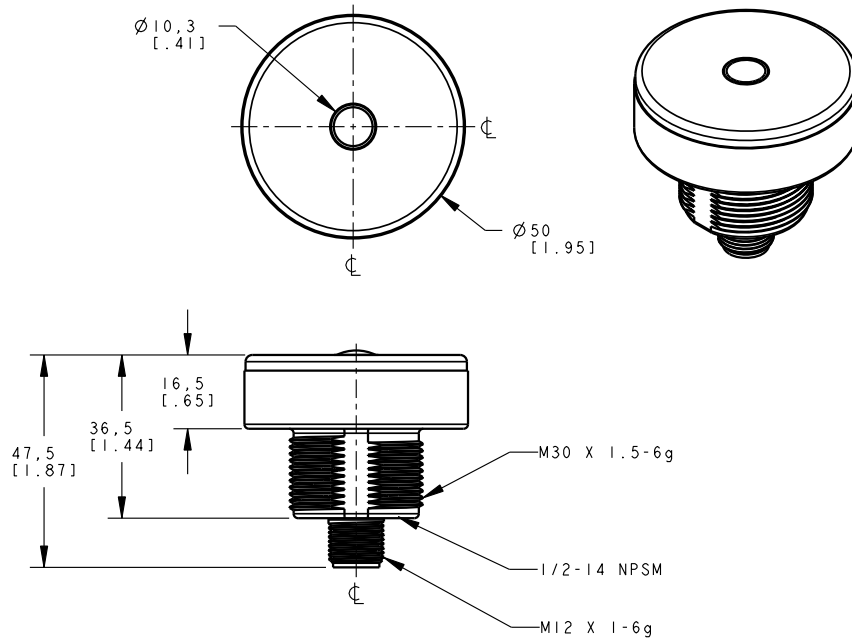


Dimensions — Flat-mount



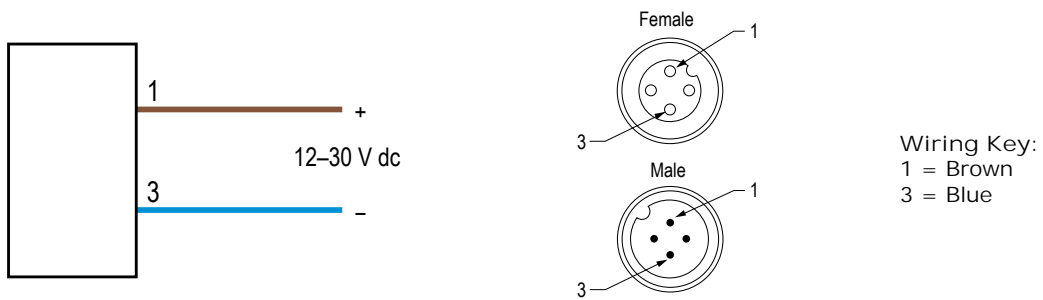
* Push-button model shown. Push-button located in center of light.

Dimensions — 30 mm base-mount



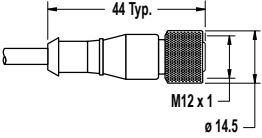
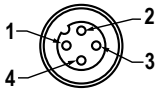
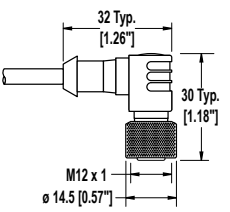
* Push-button model shown. Push-button located in center of light.

Wiring

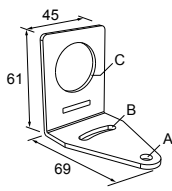
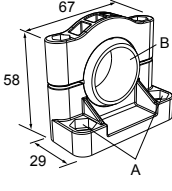
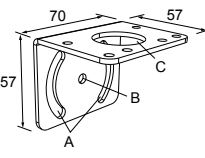
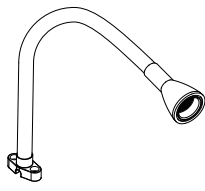


Accessories

Cordsets

4-Pin Threaded M12/Euro-Style Cordsets				
Model	Length	Style	Dimensions	Pinout (Female)
MQDC-406	1.83 m (6 ft)	Straight		 <p>1 = Brown 2 = White 3 = Blue 4 = Black</p>
MQDC-415	4.57 m (15 ft)			
MQDC-430	9.14 m (30 ft)			
MQDC-450	15.2 m (50 ft)			
MQDC-406RA	1.83 m (6 ft)	Right-Angle		
MQDC-415RA	4.57 m (15 ft)			
MQDC-430RA	9.14 m (30 ft)			
MQDC-450RA	15.2 m (50 ft)			

Mounting Accessories

<p>SMB30A</p> <ul style="list-style-type: none"> Right-angle bracket with curved slot for versatile orientation Clearance for M6 (¼ in) hardware Mounting hole for 30 mm sensor 12-ga. stainless steel  <p>Hole center spacing: A to B=40 Hole size: A=ø 6.3, B= 27.1 x 6.3, C=ø 30.5</p>	<p>SMB30SC</p> <ul style="list-style-type: none"> Swivel bracket with 30 mm mounting hole for sensor Black reinforced thermoplastic polyester Stainless steel mounting and swivel locking hardware included  <p>Hole center spacing: A=ø 50.8 Hole size: A=ø 7.0, B=ø 30.0</p>
<p>SMB30MM</p> <ul style="list-style-type: none"> 12-ga. stainless steel bracket with curved mounting slots for versatile orientation Clearance for M6 (¼ in) hardware Mounting hole for 30 mm sensor  <p>Hole center spacing: A = 51, A to B = 25.4 Hole size: A = 42.6 x 7, B = ø 6.4, C = ø 30.1</p>	<p>Flex Arm Mounts</p> <ul style="list-style-type: none"> For cabled and QD models 457 mm (18 in) long, vinyl coated  <p>FLX18-1212 FLX18-F12 FLX18-12M30 FLX18-DM30 FLX18-FM30</p> <p>For base connection measurements, visit www.bannerengineering.com and search for p/n 170238.</p>

Banner Engineering Corp Limited Warranty

Banner Engineering Corp. warrants its products to be free from defects in material and workmanship for one year following the date of shipment. Banner Engineering Corp. will repair or replace, free of charge, any product of its manufacture which, at the time it is returned to the factory, is found to have been defective during the warranty period. This warranty does not cover damage or liability for misuse, abuse, or the improper application or installation of the Banner product.

THIS LIMITED WARRANTY IS EXCLUSIVE AND IN LIEU OF ALL OTHER WARRANTIES WHETHER EXPRESS OR IMPLIED (INCLUDING, WITHOUT LIMITATION, ANY WARRANTY OF MERCHANTABILITY OR FITNESS FOR A PARTICULAR PURPOSE), AND WHETHER ARISING UNDER COURSE OF PERFORMANCE, COURSE OF DEALING OR TRADE USAGE.

This Warranty is exclusive and limited to repair or, at the discretion of Banner Engineering Corp., replacement. IN NO EVENT SHALL BANNER ENGINEERING CORP. BE LIABLE TO BUYER OR ANY OTHER PERSON OR ENTITY FOR ANY EXTRA COSTS, EXPENSES, LOSSES, LOSS OF PROFITS, OR ANY INCIDENTAL, CONSEQUENTIAL OR SPECIAL DAMAGES RESULTING FROM ANY PRODUCT DEFECT OR FROM THE USE OR INABILITY TO USE THE PRODUCT, WHETHER ARISING IN CONTRACT OR WARRANTY, STATUTE, TORT, STRICT LIABILITY, NEGLIGENCE, OR OTHERWISE.

Banner Engineering Corp. reserves the right to change, modify or improve the design of the product without assuming any obligations or liabilities relating to any product previously manufactured by Banner Engineering Corp.

Copyright Notice

Any misuse, abuse, or improper application or installation of this product or use of the product for personal protection applications when the product is identified as not intended for such purposes will void the product warranty. Any modifications to this product without prior express approval by Banner Engineering Corp will void the product warranties. All specifications published in this document are subject to change: Banner reserves the right to modify product specifications or update documentation at any time. For the most recent version of any documentation, refer to: www.bannerengineering.com. © Banner Engineering Corp. All rights reserved.