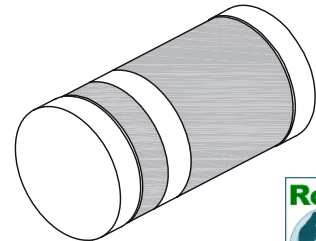


1.0A Surface Mount Glass Passivated Rectifier

Features

- Low profile surface mounted package
- Low Leakage Current
- Plastic package has underwriters laboratory flammability classification 94 V-0
- High temperature soldering: 250 °C / 10 seconds at terminals
- RoHS compliant



MELF
(DO-213AB)



Mechanical Data

Case:	JEDEC DO-213AB molded plastic
Terminals:	Plated terminals, solderable per MIL-STD-750, Method 2026
Mounting Position:	Any
Weight:	0.005 Ounce, 0.15 gram

Maximum Ratings & Electrical Characteristics (*T_{amb} = 25°C unless otherwise specified*)

Symbol	Description	GL41A	GL41B	GL41D	GL41G	GL41J	GL41K	GL41M	Unit
V_{RRM}	Max. Recurrent Peak Reverse Voltage	50	100	200	400	600	800	1000	V
V_{RMS}	Max. RMS Voltage	35	70	140	280	420	560	700	V
V_{DC}	Max. DC Blocking Voltage	50	100	200	400	600	800	1000	V
I_{AV}	Max. Average Rectified Current (See FIG.1)	1.0							A
I_{FSM}	Peak Forward Surge Current (Note1)	30							A
V_F	Max. Instantaneous Forward Voltage	1.1							V
I_R	Max. DC Reverse Current at Rated DC Blocking Voltage	T _{amb} =25°C		5					uA
		T _{amb} =125°C		50					
C_J	Typical Junction Capacitance (Note2)	15							pF
R_{θ-JA}	Max. Thermal Resistance	20							°C/W
R_{θ-JL}		50							
T_J	Operating Junction Range	-65 to 125							°C
T_{STG}	Storage Temperature Range	-65 to 150							°C

Notes:

- (1) 8.3ms single half sine-wave superimposed on rated load (JEDEC Method)
- (2) Measured at 1.0 MHz and applied reverse voltage of 4.0 VDC

1.0 A Surface Mount Glass Passivated Rectifier

GL41A - GL41M

Typical Characteristics Curves

Fig.1- Forward Current Derating Curve

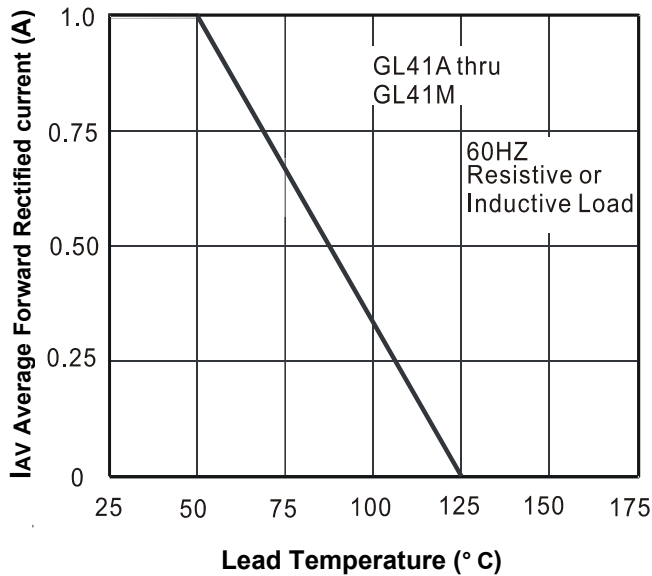


Fig.2- Max. Non-Repetitive Forward Surge Current

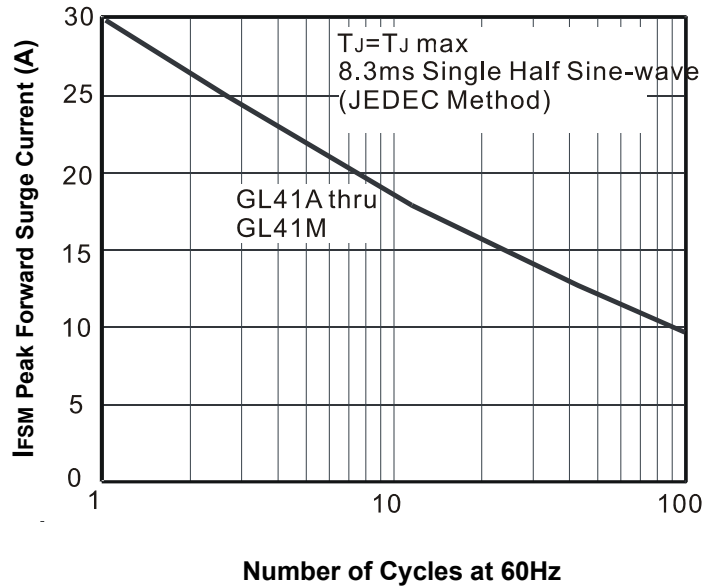


Fig.3- Typical Instantaneous Forward Characteristics

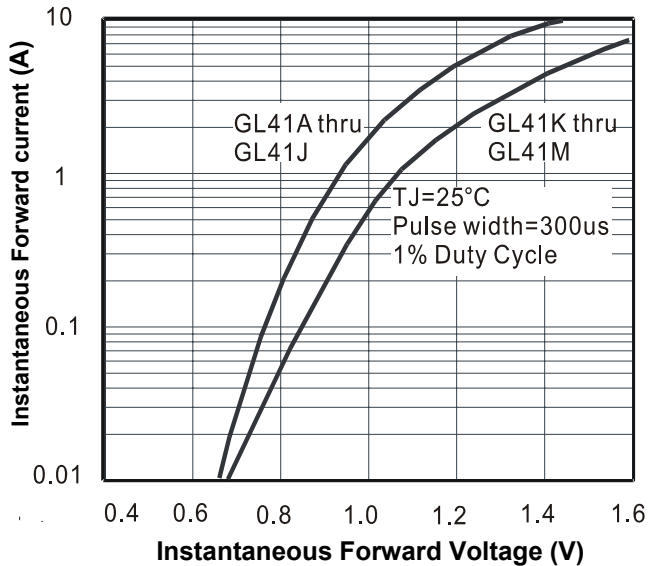
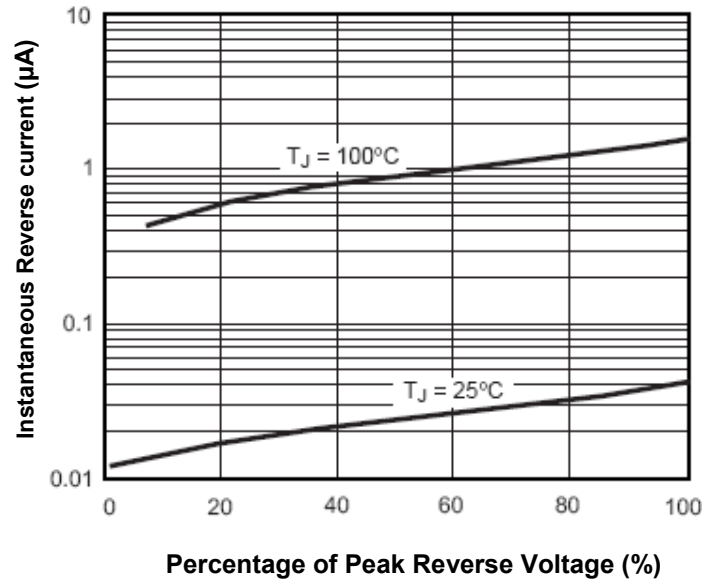
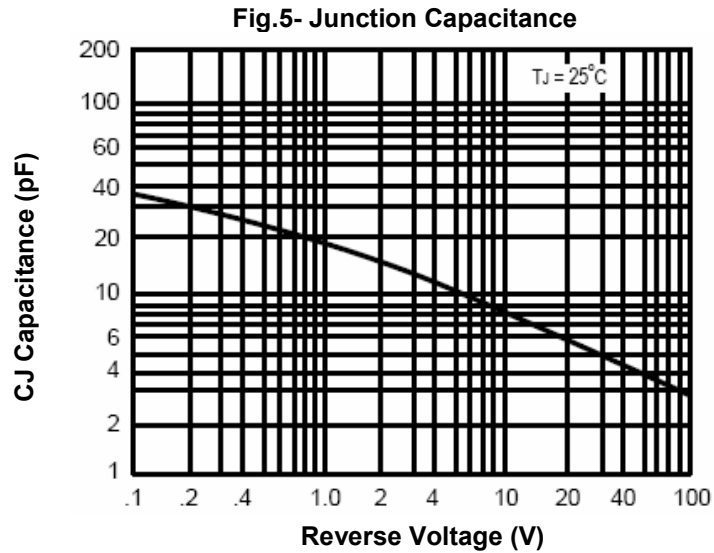


Fig.4- Typical Reverse Characteristics



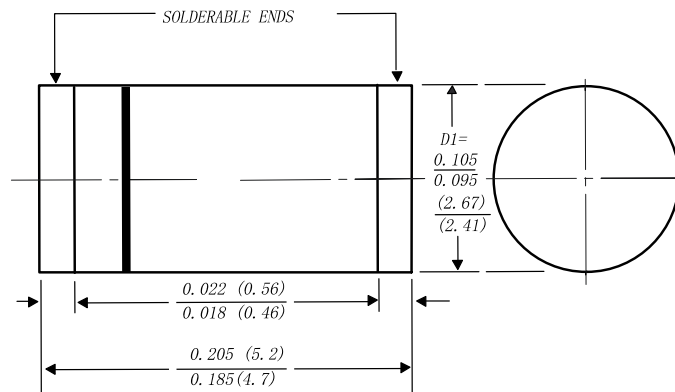
1.0 A Surface Mount Glass Passivated Rectifier

GL41A - GL41M



Dimensions in inch (mm)

MELF (DO-213AB)

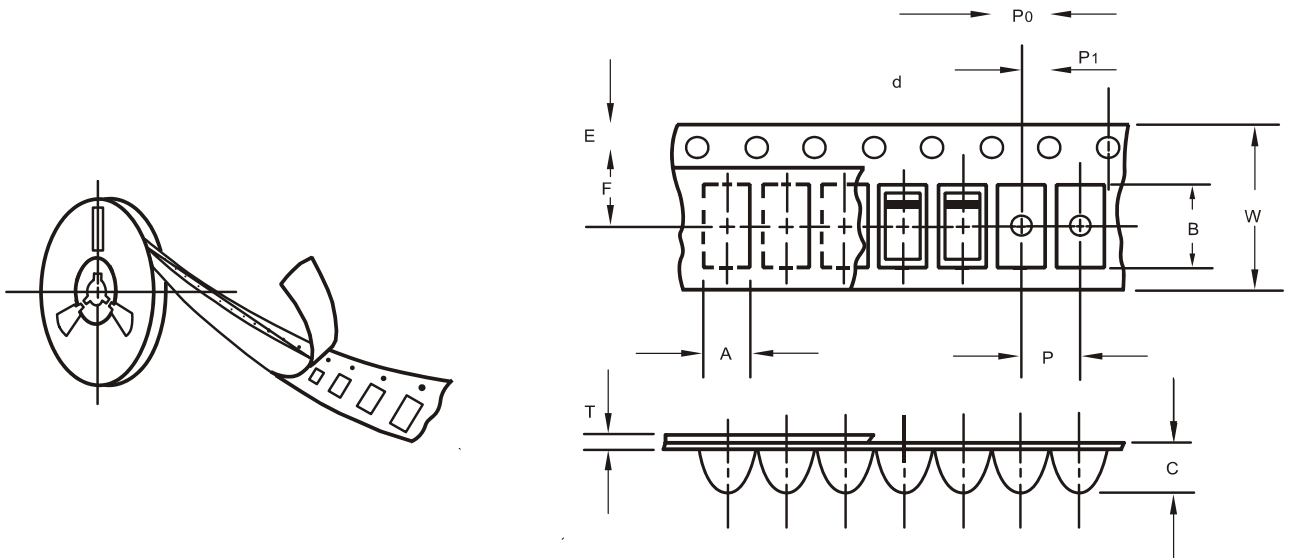


1.0 A Surface Mount Glass Passivated Rectifier

GL41A - GL41M

Packing Information:

Carrier Tape Dimensions (in mm)



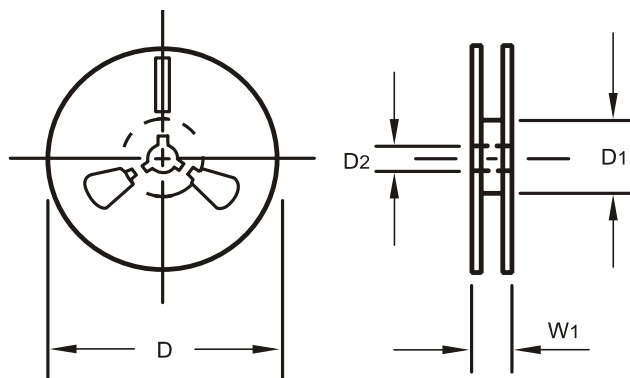
Tape Dimensions	A	B	C	d	E	F	P	P0	P1	W
-TR70	See Note			1.50±0.10	1.75±0.10	5.50±0.10	4.00±0.10	4.00±0.10	2.00±0.10	12.00±0.30
-TR30				1.50±0.10	1.75±0.10	5.50±0.10	4.00±0.10	4.00±0.10	2.00±0.10	12.00±0.30

Note: A, B, and C are determined by the maximum dimensions of the component size.

1.0 A Surface Mount Glass Passivated Rectifier

GL41A - GL41M

Reel Dimensions (in mm)



Reel Dimensions	D	D1	D2	W1
-TR70 Tape & Reel	178.0±2.00	62.0±0.05	13.00±0.50	16.80±1.00
-TR30 Tape & Reel	330.0±2.00	50.0±0.05	13.00±0.50	16.80±1.00

Packing Quantity Information:

Quantity	PCS per Inner Box	PCS per Carton
-TR70 Tape & Reel	1500/Reel	6000
-TR30 Tape & Reel	5000/Reel	10000

Carton Size Information:

-TR70 Tape & Reel	-TR30 Tape & Reel
430x190x200 (in mm)	360x360x220 (in mm)

1.0 A Surface Mount Glass Passivated Rectifier

GL41A - GL41M

How to contact us:

US HEADQUARTERS

28040 WEST HARRISON PARKWAY, VALENCIA, CA 91355-4162

Tel: (800) TAITRON (800) 824-8766 (661) 257-6060

Fax: (800) TAITFAX (800) 824-8329 (661) 257-6415

Email: taitron@taitroncomponents.com

Http://www.taitroncomponents.com

TAITRON COMPONENTS MEXICO, S.A .DE C.V.

BOULEVARD CENTRAL 5000 INTERIOR 5 PARQUE INDUSTRIAL ATITALAQUIA, HIDALGO C.P.
42970 MEXICO

Tel: +52-55-5560-1519

Fax: +52-55-5560-2190

TAITRON COMPONENTS INCORPORATED REPRESENTAÇÕES DO BRASIL LTDA

RUA DOMINGOS DE MORAIS, 2777, 2.ANDAR, SALA 24 SAÚDE - SÃO PAULO-SP 04035-001 BRAZIL

Tel: +55-11-5574-7949

Fax: +55-11-5572-0052

TAITRON COMPONENTS INCORPORATED, SHANGHAI REPRESENTATIVE OFFICE

CROSS REGION PLAZA, 899 LINGLING ROAD, SUITE 18C, SHANGHAI, 200030, CHINA

Tel: +86-21-5424-9942

Fax: +86-21-5424-9931