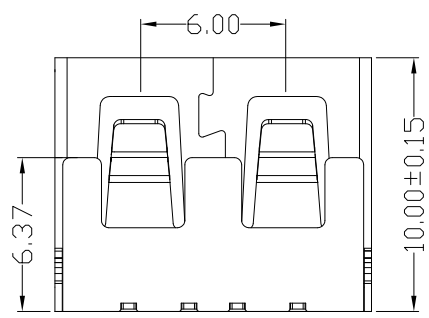
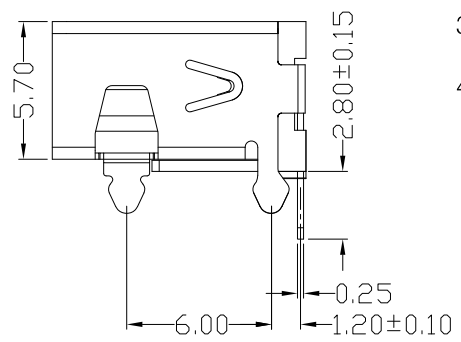
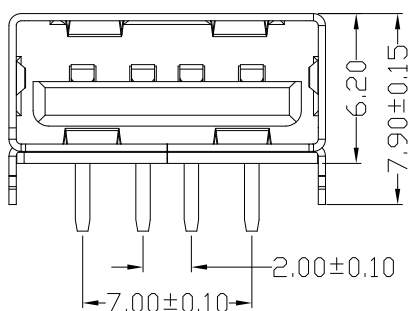
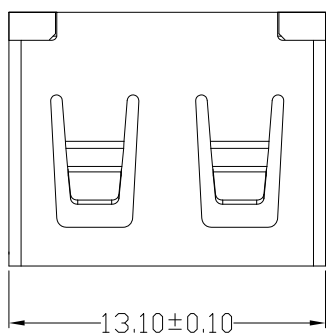


# E 款, 反向10四脚, DIP-\*6.20

MAPX	MODIFICATION	DATE

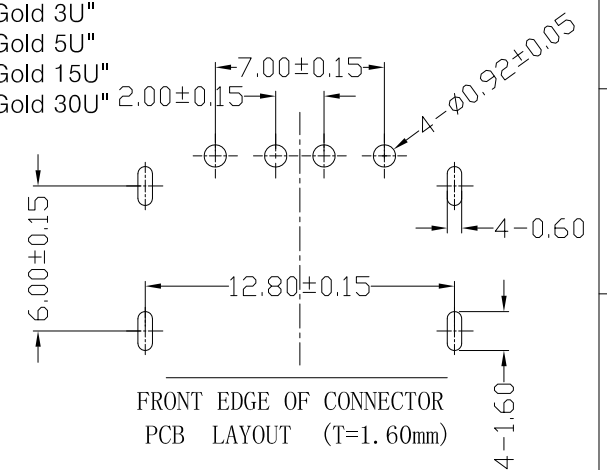


### NOTES:

- 1.HOUSING: SEE NOTES, UL94V-0 .
- TERMINAL: SEE NOTES.
- SHELL: SEE NOTES.

### SPECIFICATION:

- 1.ELECTRICAL CHARACTERISTIC:
  - CONTACT RESISTANCE: 30MΩ MAX
  - DIELECTRIC WITHSTANDING VOLTAGE: 500V AC FOR 1MIN
  - INSULATION RESISTANCE: 1000MΩ MIN
- 2.MECHANICAL CHARACTERISTIC:
  - INSERTION FORCE: 35N(3.57KGF) MAX
  - EXTRACTION FORCE: 10~35N(1.02~3.57KGF)MIN
  - DURABILITY: 1500 CYCLES EXTRACTION FORCE:10~35N  
5000 CYCLES MIN
  - 5000 CYCLES EXTRACTION FORCE:3~35N
- 3.ENVIRONMENTAL:
  - OPERATING TEMPERATURE: -55°C+85°C
- 4.Contact finish:
  - 01:Selective Gold Flash
  - 02:Selective Gold 3U"
  - 03:Selective Gold 5U"
  - 04:Selective Gold 15U"
  - 05:Selective Gold 30U"



<b>产品图</b> PRODUCT CHART DWG				<b>深圳市精拓金电子有限公司</b>							
公差一览表 TOLERANCE UNLESS OTHERWISE				单位	MM	制图	尹先华	制图料号	913-361B3011D10200		
X.	±0.25	X.	±5.°	UNITS		DRAWING		PRODUCT PART NO.			
.X	±0.20	.X	±2.°	比例	1:1	审核	郭志富	产品名称	AF10.0E款四脚无边方弹壳反向		
.XX	±0.15	.XX	±1.°	SCALE		CHKD		PRODUCT NO.	PBT白胶6.2DIP		
.XXX	±0.10	.XXX	±0.5.°	日期	2014.03.24	核准	黄国荣	角法	版本	AD	
				DATE		APPD		VIEW	VER		