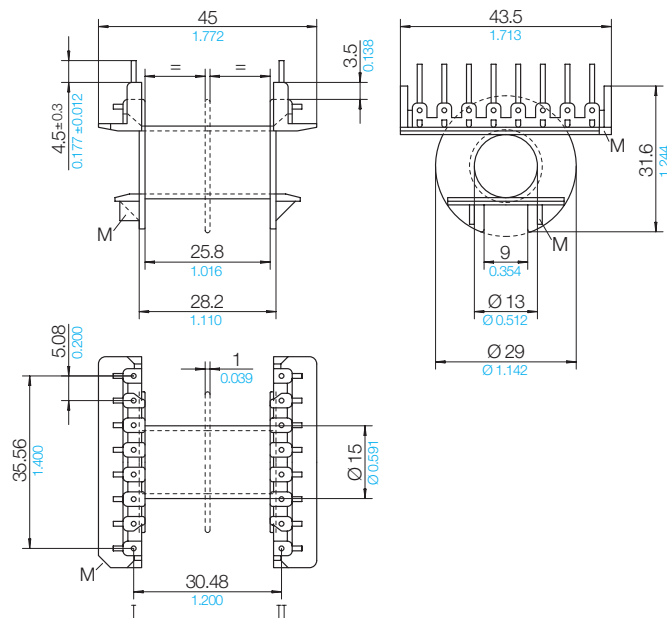
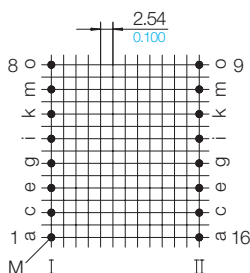


FERYSTER



View pin-side



Material: PET Polyethylene Terephthalate
 Material trade name/ Manufacturer: FR 530 L Rynite, DuPont
 UL file no. E 41938
 Flammability Rating acc. UL: V-0 (0.35)
 RTI Elec. acc. UL: +155° C