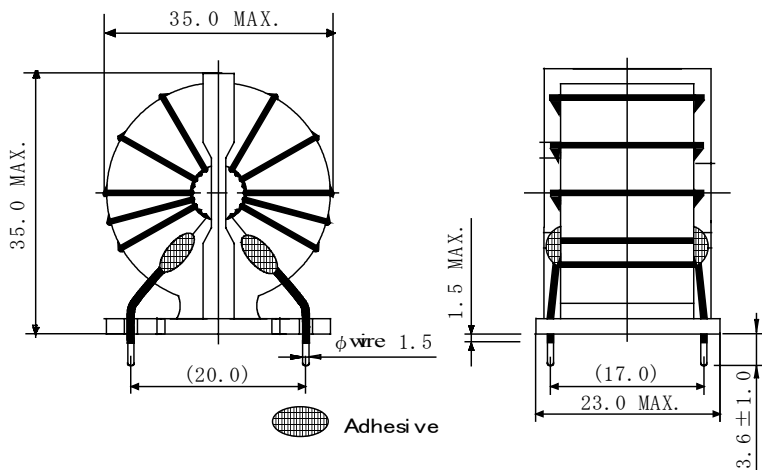


**Type: PFC2831C**
**◆ Product Description**

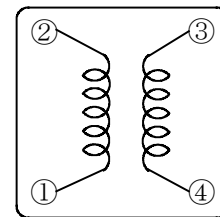
- 35.0×23.0mm Max.(L×W), 35.0mm Max. Height .
- Inductance range: 0.25mH
- Rated current range:15.0A
- In addition to the standard versions of parameters shown here, custom designs are available to meet your exact requirements.


**◆ Feature**

- Safety standard conformance such as UL.
- Ideally used in TV, VCRs, OA devices.
- RoHS Compliance

**◆ Dimensions (mm)**


- \* Dimension does not include solder used on coil.
- \* Terminal pitch is measured at the base(not from tip of the pin)

**◆ Schematics (Bottom)**


- \* Winding start is #1,#4 or #2,#3.
- \* #1&#4, #2&#3 : should have same polarity.

**◆ Specification**(Part Name: PFC2831CNP-15A-P)

		Measuring condition
Inductance (1-2) and (4-3)	0.25mH MIN. (0.36mH TYP.)	1kHz, 0.1V
D.C.R. (1-2) and (4-3)	5mΩ MAX.(3.05mΩ TYP.)	at 20°C
Rated Current (1-4) ※1	15.0A	(PIN#2 & PIN#3 shorted)

※1. Rated current: The DC current at which the temperature rise is  $\Delta t=45^{\circ}\text{C}$ .( $T_a=20^{\circ}\text{C}$ ).