



## TNC Female Bulkhead Connector Crimp/Solder Attachment For RG59, RG62, .480 inch D Hole

### TECHNICAL DATA SHEET

PE4465

#### TNC Female Bulkhead Connector Crimp/Solder Attachment For RG59, RG62, .480 inch D Hole

##### Configuration

Connector	TNC Female
Connector Interface Type	RG59, RG62
Cable Attachment Method (Shield/Contact)	Crimp/Solder
Body Style	Straight
Mount Method	Bulkhead

##### Electrical Specifications

Impedance, Ohms	50
-----------------	----

##### Mechanical Specifications

###### Size

Length, in [mm]	1.423 [36.14]
Width/Dia., in [mm]	0.688 [17.48]
Weight, lbs [g]	0.041 [18.6]

###### Connector

Type	TNC Female
Contact Material and Plating	Brass, Gold
Body Material and Plating	Brass, Nickel
Dielectric Type	Teflon

##### Compliance Certifications (visit [www.Pasternack.com](http://www.Pasternack.com) for current document)

RoHS Compliant	Yes
----------------	-----

##### Plotted and Other Data

Notes:	Values at 25 °C, sea level
--------	----------------------------

TNC Female Bulkhead Connector Crimp/Solder Attachment For RG59, RG62, .480 inch D Hole from Pasternack Enterprises has same day shipment for domestic and International orders. Our RF, microwave and fiber optic products maintain a 99% availability and are part of the broadest selection in the industry.

Click the following link (or enter part number in "SEARCH" on website) to obtain additional part information including price, inventory and certifications: [TNC Female Bulkhead Connector Crimp/Solder Attachment For RG59, RG62, .480 inch D Hole PE4465](http://www.pasternack.com/tnc-female-standard-rg59-rg62-connector-pe4465-p.aspx)

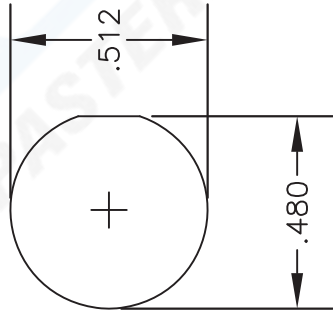
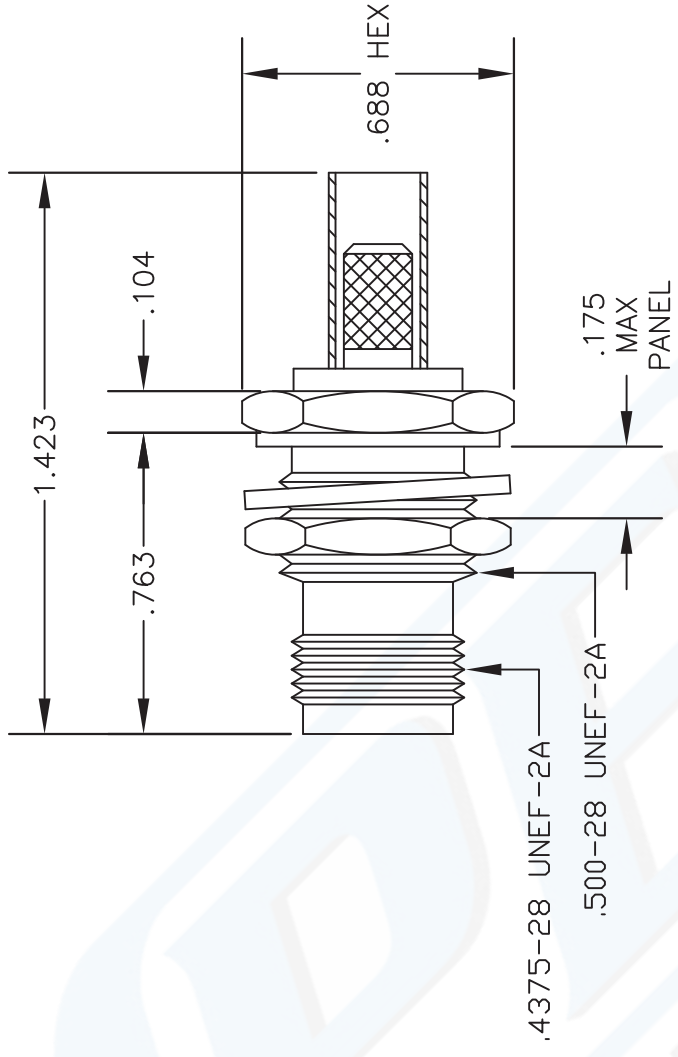
URL: <http://www.pasternack.com/tnc-female-standard-rg59-rg62-connector-pe4465-p.aspx>

The information contained in this document is accurate to the best of our knowledge and representative of the part described herein. It may be necessary to make modifications to the part and/or the documentation of the part, in order to implement improvements. Pasternack reserves the right to make such changes as required. Unless otherwise stated, all specifications are nominal.

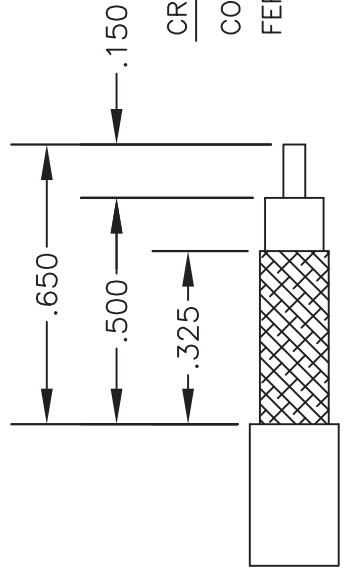


**MATERIALS**

<b>BODY</b>	BRASS NICKEL PLATED
<b>CONTACT</b>	GOLD PLATED
<b>INSULATOR</b>	PTFE



MOUNTING HOLE



STRIPPING DIMENSIONS

CRIMP SIZES REQUIRED

CONTACT: .068" HEX CRIMP TOOL

FERRULE: .255" HEX CRIMP TOOL



**PASTERNAK ENTERPRISES, INC.**  
 PO BOX 16759, IRVINE, CA 92623  
 PHONE (949) 261-1920 FAX (949) 261-7451  
 WEB ADDRESS: www.pasternack.com  
 E-MAIL ADDRESS: sales@pasternack.com  
**COAXIAL & FIBER OPTICS**

DWG TITLE

**PE4465**

DES. TNC FEMALE, BULKHEAD, CRIMP ATTACHMENT FOR RG59 & RG62

REV. A

FSCM NO. 53919

CAD FILE 042210

SCALE N/A

SIZE A

147

NOTES:

1. UNLESS OTHERWISE SPECIFIED ALL DIMENSIONS ARE NOMINAL.
2. ALL SPECIFICATIONS ARE SUBJECT TO CHANGE WITHOUT NOTICE AT ANY TIME.
3. DIMENSIONS ARE IN INCHES.