

PLEASE CHECK WWW.MOLEX.COM FOR LATEST PART INFORMATION

Part Number: [0436451200](#)
Status: **Active**
Overview: [microfit_30](#)
Description: 3.00mm (.118") Pitch Micro-Fit 3.0™ Receptacle Housing, Single Row, 12 Circuits

Documents:

[3D Model](#) [Product Specification PS-43650 \(PDF\)](#)
[Drawing \(PDF\)](#) [RoHS Certificate of Compliance \(PDF\)](#)

Agency Certification

CSA	LR19980
TUV	R72081037
UL	E29179

General

Product Family	Crimp Housings
Series	43645
Overview	microfit_30
Product Literature Order No	USA-106
Product Name	Micro-Fit 3.0™

Physical

Circuits (maximum)	12
Color - Resin	Black
Flammability	94V-0
Gender	Female
Glow-Wire Compliant	No
Keying to Mating Part	None
Lock to Mating Part	Yes
Material - Resin	Polyester
Number of Rows	1
Packaging Type	Bag
Panel Mount	No
Pitch - Mating Interface (in)	0.118 In
Pitch - Mating Interface (mm)	3.00 mm
Stackable	No
Temperature Range - Operating	-40°C to +105°C

Electrical

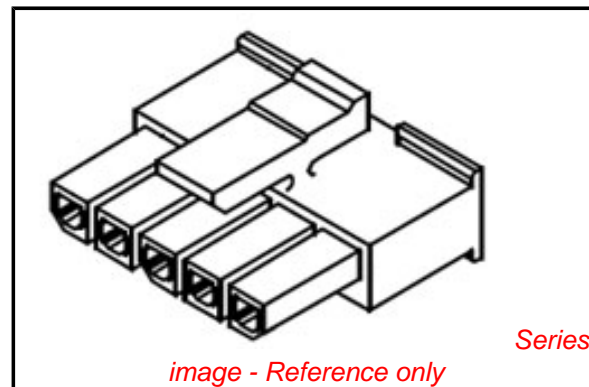
Current - Maximum per Contact	5A
-------------------------------	----

Material Info

Old Part Number	43645-12000
-----------------	-------------

Reference - Drawing Numbers

Product Specification	PS-43650
Sales Drawing	SDA-43645-****



EU RoHS

ELV and RoHS Compliant
REACH SVHC
 Not Reviewed
Halogen-Free Status

China RoHS



Not Halogen-Free

Need more information on product environmental compliance?

Email productcompliance@molex.com
 For a multiple part number RoHS Certificate of Compliance, [click here](#)

Please visit the [Contact Us](#) section for any non-product compliance questions.

Search Parts in this Series

[43645Series](#)

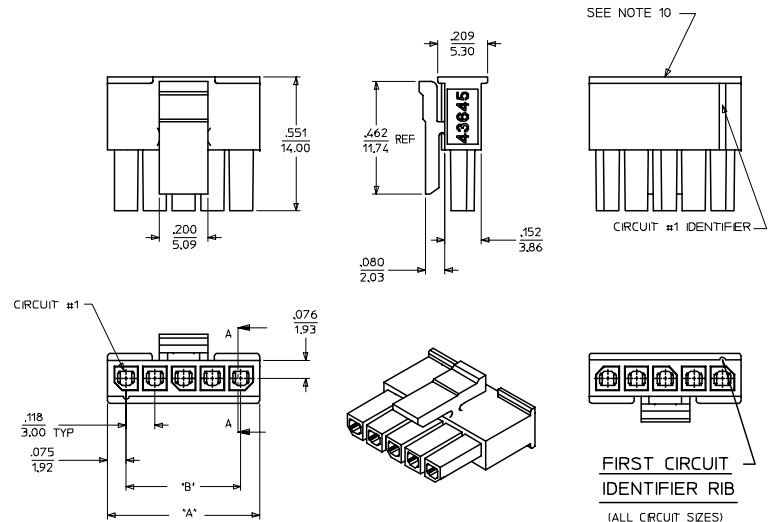
Mates With

[43640](#) Micro-Fit 3.0™ Plug Housing, [43650](#) Micro-Fit 3.0™ Header

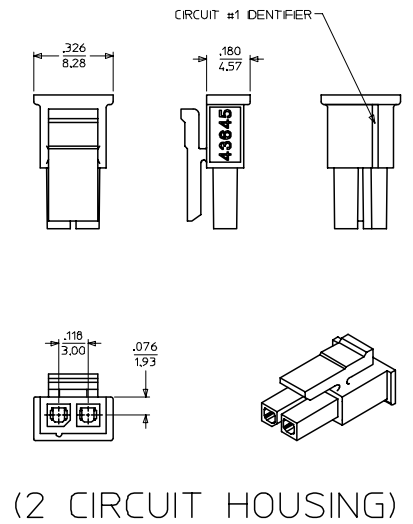
Use With

[43030](#) Micro-Fit 3.0™ Crimp Terminal

20 19 18 17 16 15 14 13 12 11 10 9 8 7 6 5 4 3 2 1

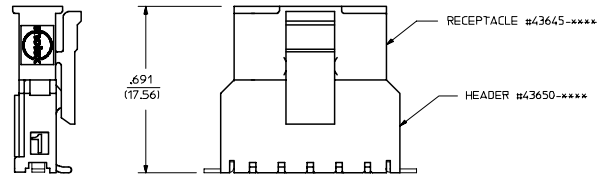


(3-12 CIRCUIT HOUSING)

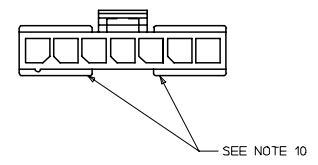
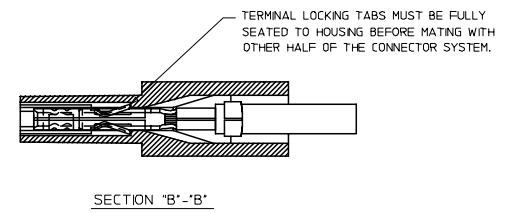
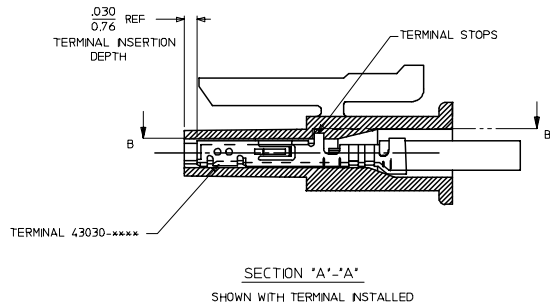


(2 CIRCUIT HOUSING)

ITEM NUMBER	NUMBER OF CIRCUIT	DM. "A"	DM. "B"
43645-0200	02	SEE DETAIL	.118/(3.00)
43645-0300	03	.388/(9.85)	.236/(6.00)
43645-0400	04	.506/(12.85)	.354/(9.00)
43645-0500	05	.624/(15.85)	.472/(12.00)
43645-0600	06	.742/(18.85)	.591/(15.00)
43645-0700	07	.860/(21.85)	.709/(18.00)
43645-0800	08	.978/(24.85)	.827/(21.00)
43645-0900	09	1.096/(27.85)	.945/(24.00)
43645-1000	10	1.215/(30.85)	1.063/(27.00)
43645-1100	11	1.333/(33.85)	1.181/(30.00)
43645-1200	12	1.451/(36.85)	1.299/(33.00)



MATED MICRO-FIT CONNECTOR



- NOTES:**
- MATERIAL : POLYESTER (PBT), UL94V-0, COLOR - BLACK
 - FINISH : N/A
 - PRODUCT SPECIFICATION : PS-43650
 - THIS RECEPTACLE ACCEPTS MOLEX MICRO FIT FEMALE CRIMP TERMINALS ONLY. SEE MOLEX DRAWING SD-43030-**** FOR SPECIFICATIONS.
 - SEE SECTION "A"- "A" FOR TERMINAL ORIENTATION IN HOUSING.
 - FOR OVERMOLDING PARAMETERS SEE ENGINEERING SPECIFICATION #SDES-43025-1000.
 - THIS RECEPTACLE MATES WITH MOLEX PCB HEADER 43650 SERIES AND MOLEX PLUG 43640 SERIES (WIRE TO WIRE APPLICATIONS).
 - SOME HOUSINGS MAY HAVE A SMALL GATE BLEMISH NEAR THE GATE LOCATION THAT DOES NOT AFFECT FUNCTIONALITY.
 - MOLEX RECOMMENDS THE USE OF MICRO-FIT TEST PLUG, SERIES 44242-**** WHENEVER CONTINUITY TESTING IS PERFORMED. TEST PLUGS MUST NOT BE USED TO MAKE OR BREAK UNDER LOAD. MOLEX DOES NOT RECOMMEND USING STANDARD MATING COMPONENTS FOR HARNESS TESTING PURPOSES.
 - THIS RIB IS DISCONTINUOUS ON CIRCUIT SIZES 7 THROUGH 12.
 - PART CONFORMS TO CLASS 'B' REQUIREMENTS OF COSMETIC SPECIFICATION PS-45499-002.

UPDATE NOTE 8 DEC NO: UCP2008-0920 DRAWN BY: J.P.P. 2007/10/23 CHKD BY: S.S. 2007/10/26 APPR: E.S.M. 2007/10/29	QUALITY SYMBOLS ▽=0 ▽=0	GENERAL TOLERANCES (UNLESS SPECIFIED)		DIMENSION STYLE IN/MM		SCALE 4:1	DESIGN UNITS METRIC	THIRD ANGLE PROJECTION
		4 PLACES ± ± 3 PLACES ± --- ±.010 2 PLACES ± 0.25 ±.014 1 PLACE ± 0.35 ± --- ANGULAR ±1/2°	DRAWN BY: A.F.G. DATE: 1995/11/15 CHECKED BY: B.A.P. DATE: 1995/11/15 APPROVED BY: R.J.F. DATE: 1995/11/15	TITLE MICRO-FIT (3.0) 2 THRU 12 SINGLE ROW RECEPTACLE				
		DRAFT WHERE APPLICABLE MUST REMAIN WITHIN DIMENSIONS	SEE CHART	MOLEX INCORPORATED SDA-43645-****				
		MATERIAL NO.		DOCUMENT NO.	SHEET NO. 1 OF 1			