

### FEATURES

**14-Bit Dual Muxed Port DAC**  
**300 MSPS Output Update Rate**  
**Excellent SFDR and IMD Performance**  
**SFDR to Nyquist @ 25 MHz Output: 71 dB**  
**Internal Clock Doubling PLL**  
**Differential or Single-Ended Clock Input**  
**On-Chip 1.2 V Reference**  
**Single 3.3 V Supply Operation**  
**Power Dissipation: 155 mW @ 3.3 V**  
**48-Lead LQFP**

### APPLICATIONS

**Communications: LMDS, LMCS, MMDS**  
**Base Stations**  
**Digital Synthesis**  
**QAM and OFDM**

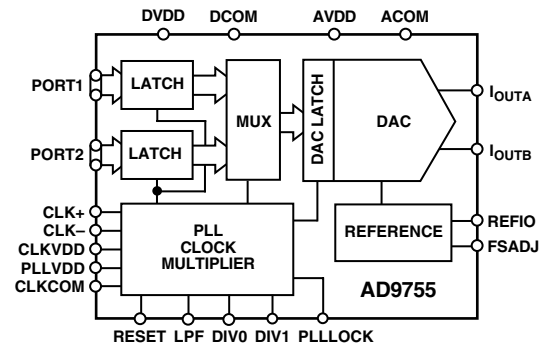
### PRODUCT DESCRIPTION

The AD9755 is a dual, muxed port, ultrahigh speed, single-channel, 14-bit CMOS DAC. It integrates a high quality 14-bit TxDAC+ core, a voltage reference, and digital interface circuitry into a small 48-lead LQFP package. The AD9755 offers exceptional ac and dc performance while supporting update rates up to 300 MSPS.

The AD9755 has been optimized for ultrahigh speed applications up to 300 MSPS where data rates exceed those possible on a single data interface port DAC. The digital interface consists of two buffered latches as well as control logic. These latches can be time multiplexed to the high speed DAC in several ways. This PLL drives the DAC latch at twice the speed of the externally applied clock and is able to interleave the data from the two input channels. The resulting output data rate is twice that of the two input channels. With the PLL disabled, an external 2× clock may be supplied and divided by two internally.

The CLK inputs (CLK+/CLK-) can be driven either differentially or single-ended, with a signal swing as low as 1 V p-p.

### FUNCTIONAL BLOCK DIAGRAM



The DAC utilizes a segmented current source architecture combined with a proprietary switching technique to reduce glitch energy and maximize dynamic accuracy. Differential current outputs support single-ended or differential applications. The differential outputs each provide a nominal full-scale current from 2 mA to 20 mA.

The AD9755 is manufactured on an advanced low cost 0.35 μm CMOS process. It operates from a single supply of 3.0 V to 3.6 V and consumes 155 mW of power.

### PRODUCT HIGHLIGHTS

1. The AD9755 is a member of a pin compatible family of high speed TxDAC+s providing 10-, 12-, and 14-bit resolution.
2. Ultrahigh Speed 300 MSPS Conversion Rate.
3. Dual 14-Bit Latched, Multiplexed Input Ports. The AD9755 features a flexible digital interface allowing high speed data conversion through either a single or dual port input.
4. Low Power. Complete CMOS DAC function operates on 155 mW from a 3.0 V to 3.6 V single supply. The DAC full-scale current can be reduced for lower power operation.
5. On-Chip Voltage Reference. The AD9755 includes a 1.20 V temperature compensated band gap voltage reference.

\*Protected by U.S. Patent numbers 5450084, 5568145, 5689257, and 5703519. Other patents pending.

### REV. B

Information furnished by Analog Devices is believed to be accurate and reliable. However, no responsibility is assumed by Analog Devices for its use, nor for any infringements of patents or other rights of third parties that may result from its use. No license is granted by implication or otherwise under any patent or patent rights of Analog Devices. Trademarks and registered trademarks are the property of their respective companies.

# AD9755—SPECIFICATIONS

## DC SPECIFICATIONS ( $T_{MIN}$ to $T_{MAX}$ , $AVDD = 3.3\text{ V}$ , $DVDD = 3.3\text{ V}$ , $PLLVD = 3.3\text{ V}$ , $CLKVDD = 3.3\text{ V}$ , $I_{OUTFS} = 20\text{ mA}$ , unless otherwise noted.)

Parameter	Min	Typ	Max	Unit
RESOLUTION	14			Bits
DC ACCURACY <sup>1</sup>				
Integral Linearity Error (INL)	-5	±2.5	+5	LSB
Differential Nonlinearity (DNL)	-3	±1.5	+3	LSB
ANALOG OUTPUT				
Offset Error	-0.025	±0.01	+0.025	% of FSR
Gain Error (Without Internal Reference)	-2	±0.5	+2	% of FSR
Gain Error (With Internal Reference)	-2	±0.25	+2	% of FSR
Full-Scale Output Current <sup>2</sup>	2.0		20.0	mA
Output Compliance Range	-1.0		+1.25	V
Output Resistance		100		kΩ
Output Capacitance		5		pF
REFERENCE OUTPUT				
Reference Voltage	1.14	1.20	1.26	V
Reference Output Current <sup>3</sup>		100		nA
REFERENCE INPUT				
Input Compliance Range	0.1		1.25	V
Reference Input Resistance		1		MΩ
TEMPERATURE COEFFICIENTS				
Offset Drift		0		ppm of FSR/°C
Gain Drift (Without Internal Reference)		±50		ppm of FSR/°C
Gain Drift (With Internal Reference)		±100		ppm of FSR/°C
Reference Voltage Drift		±50		ppm/°C
POWER SUPPLY				
Supply Voltages				
AVDD	3.0	3.3	3.6	V
DVDD	3.0	3.3	3.6	V
PLLVD	3.0	3.3	3.6	V
CLKVDD	3.0	3.3	3.6	V
Analog Supply Current ( $I_{AVDD}$ ) <sup>4</sup>		33	36	mA
Digital Supply Current ( $I_{DVDD}$ ) <sup>4</sup>		3.5	4.5	mA
PLL Supply Current ( $I_{PLLVD}$ ) <sup>4</sup>		4.5	5.1	mA
Clock Supply Current ( $I_{CLKVDD}$ ) <sup>4</sup>		10.0	11.5	mA
Power Dissipation <sup>4</sup> (3 V, $I_{OUTFS} = 20\text{ mA}$ )		155	165	mW
Power Dissipation <sup>5</sup> (3 V, $I_{OUTFS} = 20\text{ mA}$ )		216		mW
Power Supply Rejection Ratio <sup>6</sup> —AVDD	-1		+1	% of FSR/V
Power Supply Rejection Ratio <sup>6</sup> —DVDD	-0.04		+0.04	% of FSR/V
OPERATING RANGE	-40		+85	°C

### NOTES

<sup>1</sup>Measured at  $I_{OUTA}$ , driving a virtual ground.

<sup>2</sup>Nominal full-scale current,  $I_{OUTFS}$ , is 32× the  $I_{REF}$  current.

<sup>3</sup>An external buffer amplifier is recommended to drive any external load.

<sup>4</sup>100 MSPS  $f_{DAC}$  with PLL on,  $f_{OUT} = 100\text{ MHz}$ , all supplies = 3.0 V.

<sup>5</sup>300 MSPS  $f_{DAC}$ .

<sup>6</sup>±5% power supply variation.

Specifications subject to change without notice.

## DYNAMIC SPECIFICATIONS

( $T_{MIN}$  to  $T_{MAX}$ , AVDD = 3.3 V, DVDD = 3.3 V, PLLVDD = 0 V, CLKVDD = 3.3 V,  $I_{OUTFS} = 20$  mA,  
Differential Transformer-Coupled Output, 50  $\Omega$  Doubly Terminated, unless otherwise noted.)

Parameter	Min	Typ	Max	Unit
<b>DYNAMIC PERFORMANCE</b>				
Maximum Output Update Rate ( $f_{DAC}$ )	300			MSPS
Output Settling Time ( $t_{ST}$ ) (to 0.1%) <sup>1</sup>		11		ns
Output Propagation Delay ( $t_{PD}$ ) <sup>1</sup>		1		ns
Glitch Impulse <sup>1</sup>		5		pV-s
Output Rise Time (10% to 90%) <sup>1</sup>		2.5		ns
Output Fall Time (90% to 10%) <sup>1</sup>		2.5		ns
Output Noise ( $I_{OUTFS} = 20$ mA)		50		pA/ $\sqrt{Hz}$
Output Noise ( $I_{OUTFS} = 2$ mA)		30		pA/ $\sqrt{Hz}$
<b>AC LINEARITY</b>				
Spurious-Free Dynamic Range to Nyquist				
$f_{DAC} = 100$ MSPS; $f_{OUT} = 1.00$ MHz				
0 dBFS Output	74	84		dBc
-6 dBFS Output		77		dBc
-12 dBFS Output		79		dBc
$f_{DATA} = 65$ MSPS; $f_{OUT} = 1.1$ MHz <sup>2</sup>		79		dBc
$f_{DATA} = 65$ MSPS; $f_{OUT} = 5.1$ MHz <sup>2</sup>		79		dBc
$f_{DATA} = 65$ MSPS; $f_{OUT} = 10.1$ MHz <sup>2</sup>		78		dBc
$f_{DATA} = 65$ MSPS; $f_{OUT} = 20.1$ MHz <sup>2</sup>		74		dBc
$f_{DATA} = 65$ MSPS; $f_{OUT} = 30.1$ MHz <sup>2</sup>		70		dBc
$f_{DAC} = 160$ MSPS; $f_{OUT} = 1.1$ MHz		80		dBc
$f_{DAC} = 160$ MSPS; $f_{OUT} = 11.1$ MHz		77		dBc
$f_{DAC} = 160$ MSPS; $f_{OUT} = 31.1$ MHz		72		dBc
$f_{DAC} = 160$ MSPS; $f_{OUT} = 51.1$ MHz		72		dBc
$f_{DAC} = 160$ MSPS; $f_{OUT} = 71.1$ MHz		69		dBc
$f_{DAC} = 300$ MSPS; $f_{OUT} = 1.1$ MHz		80		dBc
$f_{DAC} = 300$ MSPS; $f_{OUT} = 26.1$ MHz		71		dBc
$f_{DAC} = 300$ MSPS; $f_{OUT} = 51.1$ MHz		67		dBc
$f_{DAC} = 300$ MSPS; $f_{OUT} = 101.1$ MHz		61		dBc
$f_{DAC} = 300$ MSPS; $f_{OUT} = 141.1$ MHz		60		dBc
Spurious-Free Dynamic Range within a Window				
$f_{DAC} = 100$ MSPS; $f_{OUT} = 1$ MHz; 2 MHz Span				
0 dBFS Output	83.5	93		dBc
$f_{DAC} = 65$ MSPS; $f_{OUT} = 5.02$ MHz; 2 MHz Span		85		dBc
$f_{DAC} = 150$ MSPS; $f_{OUT} = 5.04$ MHz; 4 MHz Span		85		dBc
Total Harmonic Distortion				
$f_{DAC} = 100$ MSPS; $f_{OUT} = 1.00$ MHz				
$T_A = 25^\circ C$		-83	-73	dBc
$T_{MIN}$ to $T_{MAX}$		-83	-71	dBc
$f_{DAC} = 65$ MHz; $f_{OUT} = 2.00$ MHz		-78		dBc
$f_{DAC} = 160$ MHz; $f_{OUT} = 2.00$ MHz		-78		dBc
Multitone Power Ratio (Eight Tones at 110 kHz Spacing)				
$f_{DAC} = 65$ MSPS; $f_{OUT} = 2.00$ MHz to 2.77 MHz				
0 dBFS Output		75		dBc
-6 dBFS Output		73		dBc
-12 dBFS Output		70		dBc

## NOTES

<sup>1</sup>Measured single-ended into 50  $\Omega$  load.

<sup>2</sup>Single Port Mode (PLL disabled, DIV0 = 1, DIV1 = 0, data on Port 1).

Specifications subject to change without notice.

# AD9755

## DIGITAL SPECIFICATIONS ( $T_{MIN}$ to $T_{MAX}$ , AVDD = DVDD = PLLVDD = CLKVDD = 3.3 V, I<sub>OUTFS</sub> = 20 mA, unless otherwise noted.)

Parameter	Min	Typ	Max	Unit
<b>DIGITAL INPUTS</b>				
Logic 1	2.1	3		V
Logic 0		0	0.9	V
Logic 1 Current	-10		+10	μA
Logic 0 Current	-10		+10	μA
Input Capacitance		5		pF
Input Setup Time (t <sub>S</sub> ), T <sub>A</sub> = 25°C	1.0	0.5		ns
Input Hold Time (t <sub>H</sub> ), T <sub>A</sub> = 25°C	1.0	0.5		ns
Latch Pulsewidth (t <sub>L,PW</sub> ), T <sub>A</sub> = 25°C	1.5			ns
Input Setup Time (t <sub>S</sub> , PLLVDD = 0 V), T <sub>A</sub> = 25°C	-1.0	-1.5		ns
Input Hold Time (t <sub>H</sub> , PLLVDD = 0 V), T <sub>A</sub> = 25°C	2.5	1.7		ns
CLK to PLLLOCK Delay (t <sub>D</sub> , PLLVDD = 0 V), T <sub>A</sub> = 25°C	3.5		4.0	ns
Latch Pulsewidth (t <sub>L,PW</sub> PLLVDD = 0 V), T <sub>A</sub> = 25°C	1.5			ns
PLLOCK (V <sub>OH</sub> )	3.0			V
PLLOCK (V <sub>OL</sub> )			0.3	V
<b>CLK INPUTS</b>				
Input Voltage Range	0		3	V
Common-Mode Voltage	0.75	1.5	2.25	V
Differential Voltage	0.5	1.5		V
Min CLK Frequency*		6.25		MHz

\*Min CLK Frequency only applies when using internal PLL. When PLL is disabled, there is no minimum CLK frequency.

Specifications subject to change without notice.

## ABSOLUTE MAXIMUM RATINGS\*

Parameter	With Respect To	Min	Max	Unit
AVDD, DVDD, CLKVDD, PLLVDD	ACOM, DCOM, CLKCOM, PLLCOM	-0.3	+3.9	V
AVDD, DVDD, CLKVDD, PLLVDD	AVDD, DVDD, CLKVDD, PLLVDD	-3.9	+3.9	V
ACOM, DCOM, CLKCOM, PLLCOM	ACOM, DCOM, CLKCOM, PLLCOM	-0.3	+0.3	V
REFIO, REFLO, FSADJ	ACOM	-0.3	AVDD + 0.3	V
I <sub>OUTA</sub> , I <sub>OUTB</sub>	ACOM	-1.0	AVDD + 0.3	V
Digital Data Inputs (DB13 to DB0)	DCOM	-0.3	DVDD + 0.3	V
CLK+/CLK-, PLLLOCK	CLKCOM	-0.3	CLKVDD + 0.3	V
DIV0, DIV1, RESET	CLKCOM	-0.3	CLKVDD + 0.3	V
LPF	PLLCOM	-0.3	PLLVDD + 0.3	V
Junction Temperature			150	°C
Storage Temperature		-65	+150	°C
Lead Temperature (10 sec)			300	°C

\*Stresses above those listed under Absolute Maximum Ratings may cause permanent damage to the device. This is a stress rating only; functional operation of the device at these or any other conditions above those indicated in the operational sections of this specification is not implied. Exposure to absolute maximum ratings for extended periods may affect device reliability.

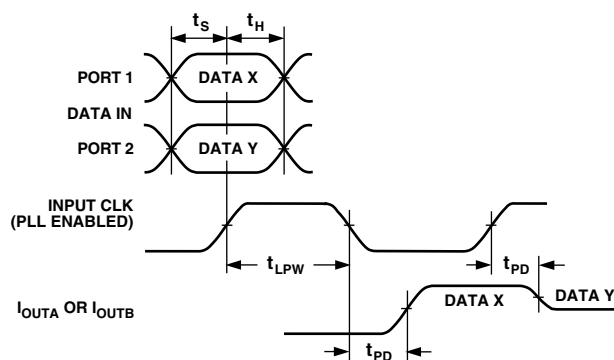


Figure 1. I/O Timing

## ORDERING GUIDE

Model	Temperature Range	Package Description	Package Option
AD9755AST	-40°C to +85°C	48-Lead LQFP	ST-48
AD9755ASTRL	-40°C to +85°C	48-Lead LQFP	ST-48
AD9755-EB		Evaluation Board	

## THERMAL CHARACTERISTIC

### Thermal Resistance

48-Lead LQFP

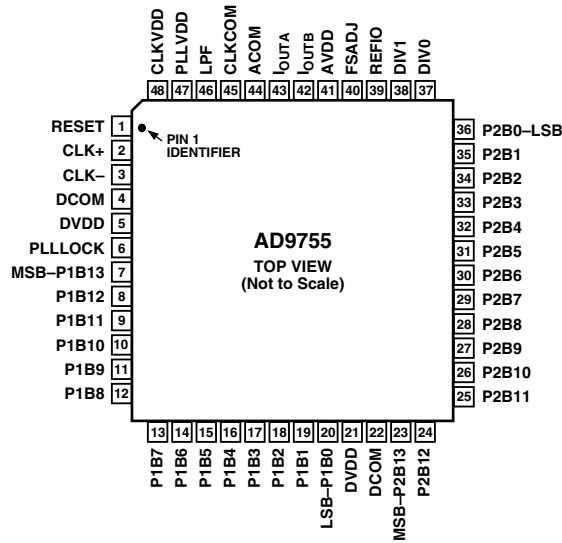
$$\theta_{JA} = 91^{\circ}\text{C/W}$$

## CAUTION

ESD (electrostatic discharge) sensitive device. Electrostatic charges as high as 4000 V readily accumulate on the human body and test equipment and can discharge without detection. Although the AD9755 features proprietary ESD protection circuitry, permanent damage may occur on devices subjected to high energy electrostatic discharges. Therefore, proper ESD precautions are recommended to avoid performance degradation or loss of functionality.



## PIN CONFIGURATION



## PIN FUNCTION DESCRIPTIONS

Pin No.	Mnemonic	Description
1	RESET	Internal Clock Divider Reset
2	CLK+	Differential Clock Input
3	CLK-	Differential Clock Input
4, 22	DCOM	Digital Common
5, 21	DVDD	Digital Supply Voltage
6	PLLLOCK	Phase-Locked Loop Lock Indicator Output
7–20	P1B13–P1B0	Data Bits P1B13 to P1B0, Port 1
23–36	P2B13–P2B0	Data Bits P2B13 to P2B0, Port 2
37, 38	DIV0, DIV1	Control Inputs for PLL and Input Port Selector Mode; see Tables I and II for details.
39	REFIO	Reference Input/Output
40	FSADJ	Full-Scale Current Output Adjust
41	AVDD	Analog Supply Voltage
42	I <sub>OUTB</sub>	Differential DAC Current Output
43	I <sub>OUTA</sub>	Differential DAC Current Output
44	ACOM	Analog Common
45	CLKCOM	Clock and Phase-Locked Loop Common
46	LPF	Phase-Locked Loop Filter
47	PLLVDD	Phase-Locked Loop Supply Voltage
48	CLKVDD	Clock Supply Voltage

## TERMINOLOGY

### Linearity Error (Also Called Integral Nonlinearity or INL)

Linearity error is defined as the maximum deviation of the actual analog output from the ideal output, determined by a straight line drawn from zero to full scale.

### Differential Nonlinearity (DNL)

DNL is the measure of the variation in analog value, normalized to full scale, associated with a 1 LSB change in digital input code.

### Monotonicity

A D/A converter is monotonic if the output either increases or remains constant as the digital input increases.

### Offset Error

The deviation of the output current from the ideal of zero is called offset error. For  $I_{OUTA}$ , 0 mA output is expected when the inputs are all 0s. For  $I_{OUTB}$ , 0 mA output is expected when the inputs are all 1s.

### Gain Error

The difference between the actual and ideal output span. The actual span is determined by the output when all inputs are set to 1s, minus the output when all inputs are set to 0s.

### Output Compliance Range

The range of allowable voltage at the output of a current-output DAC. Operation beyond the maximum compliance limits may cause either output stage saturation or breakdown, resulting in nonlinear performance.

### Temperature Drift

Specified as the maximum change from the ambient (25°C) value to the value at either  $T_{MIN}$  or  $T_{MAX}$ . For offset and gain drift, the drift is reported in ppm of full-scale range (FSR) per degree C. For reference drift, the drift is reported in ppm per degree C.

### Power Supply Rejection

The maximum change in the full-scale output as the supplies are varied from minimum to maximum specified voltages.

### Settling Time

The time required for the output to reach and remain within a specified error band around its final value, measured from the start of the output transition.

### Glitch Impulse

Asymmetrical switching times in a DAC cause undesired output transients that are quantified by a glitch impulse. It is specified as the net area of the glitch in pV-s.

### Spurious-Free Dynamic Range

The difference, in dB, between the rms amplitude of the output signal and the peak spurious signal over the specified bandwidth.

### Total Harmonic Distortion (THD)

THD is the ratio of the rms sum of the first six harmonic components to the rms value of the measured fundamental. It is expressed as a percentage or in decibels (dB).

### Signal-to-Noise Ratio (SNR)

SNR is the ratio of the rms value of the measured output signal to the rms sum of all other spectral components below the Nyquist frequency, excluding the first six harmonics and dc. The value for SNR is expressed in decibels.

### Adjacent Channel Power Ratio (ACPR)

A ratio in dBc between the measured power within a channel relative to its adjacent channel.

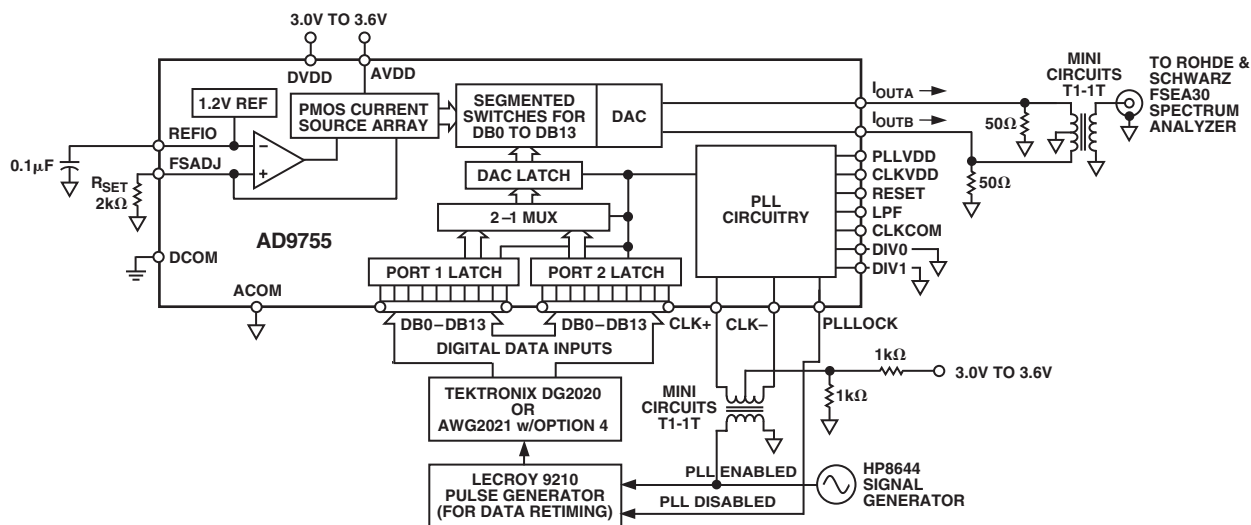
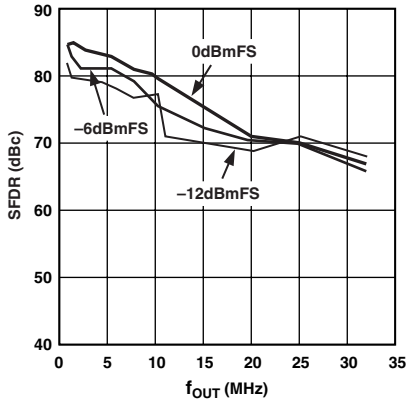
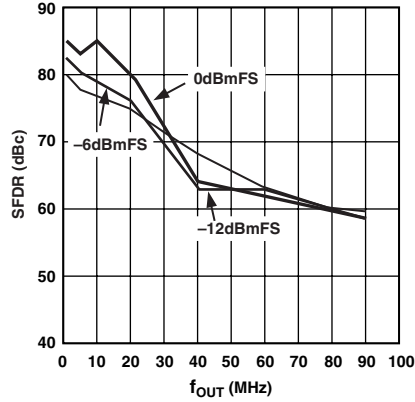


Figure 2. Basic AC Characterization Test Setup

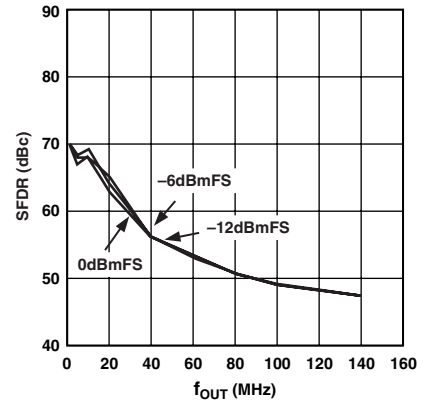
# AD9755—Typical Performance Characteristics



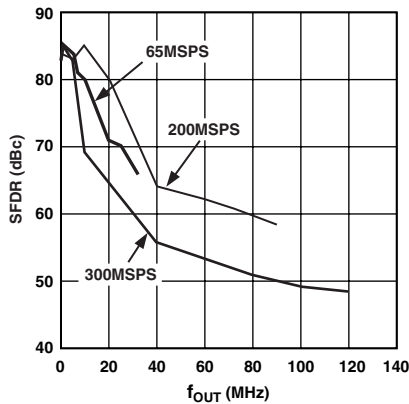
TPC 1. Single-Tone SFDR vs.  $f_{OUT}$  @  $f_{DAC} = 65 \text{ MSPS}$ ; Single Port Mode



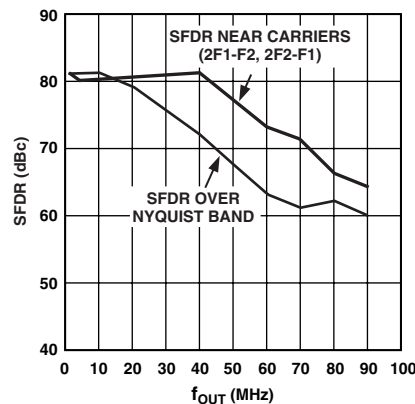
TPC 2. Single-Tone SFDR vs.  $f_{OUT}$  @  $f_{DAC} = 200 \text{ MSPS}$



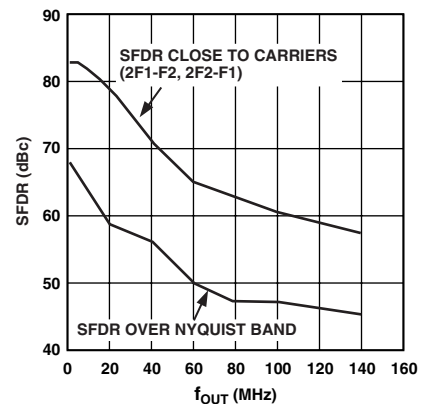
TPC 3. Single-Tone SFDR vs.  $f_{OUT}$  @  $f_{DAC} = 300 \text{ MSPS}$



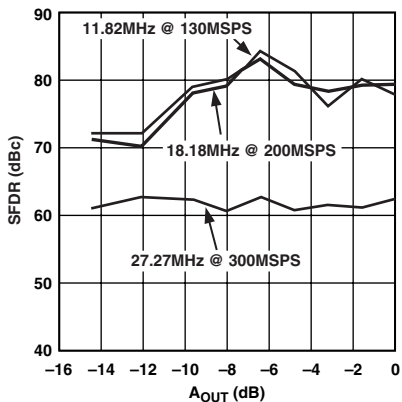
TPC 4. SFDR vs.  $f_{OUT}$  @ 0 dBFS



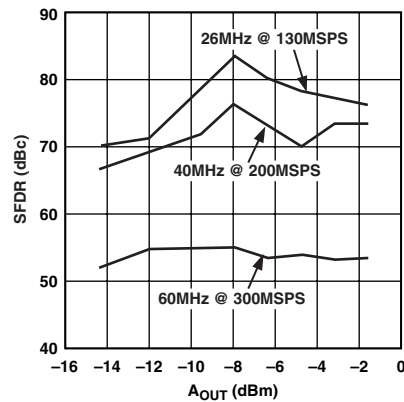
TPC 5. Two-Tone IMD vs.  $f_{OUT}$  @  $f_{DAC} = 200 \text{ MSPS}$ , 1 MHz Spacing between Tones, 0 dBFS



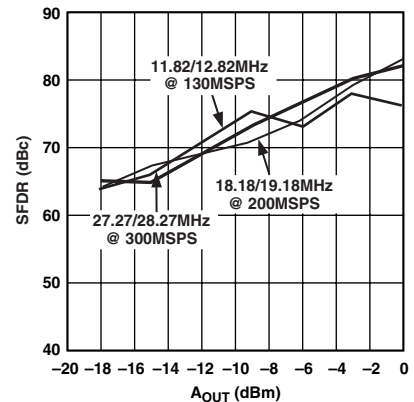
TPC 6. Two-Tone IMD vs.  $f_{OUT}$  @  $f_{DAC} = 300 \text{ MSPS}$ , 1 MHz Spacing between Tones, 0 dBFS



TPC 7. Single-Tone SFDR vs.  $A_{OUT}$  @  $f_{OUT} = f_{DAC}/11$

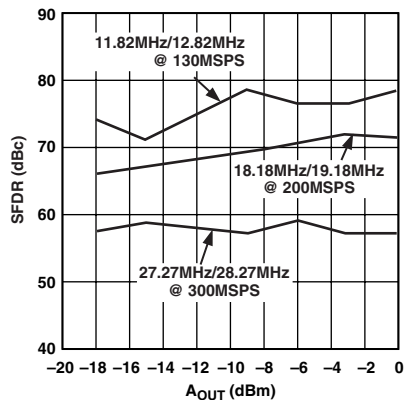


TPC 8. Single-Tone SFDR vs.  $A_{OUT}$  @  $f_{OUT} = f_{DAC}/5$

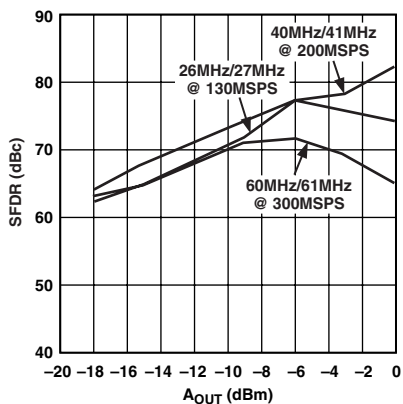


TPC 9. Two-Tone IMD (Third Order Products) vs.  $A_{OUT}$  @  $f_{OUT} = f_{DAC}/11$

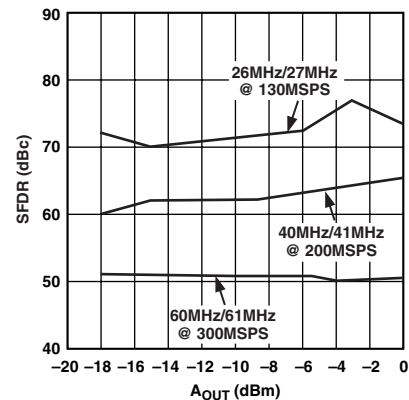




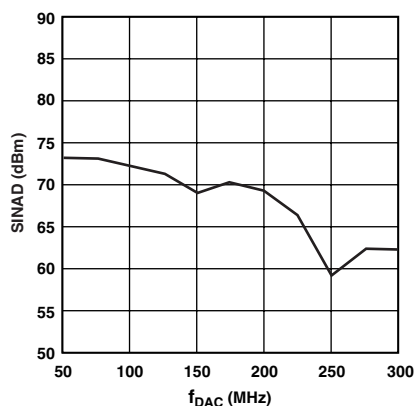
TPC 10. Two-Tone IMD (to Nyquist) vs.  $A_{OUT}$  @  $f_{OUT} = f_{DAC}/11$



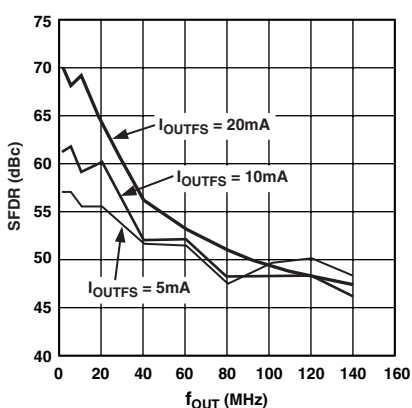
TPC 11. Two-Tone IMD (Third Order Products) vs.  $A_{OUT}$  @  $f_{OUT} = f_{DAC}/5$



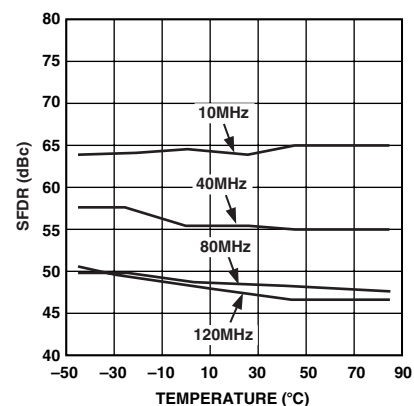
TPC 12. Two-Tone IMD (to Nyquist) vs.  $A_{OUT}$  @  $f_{OUT} = f_{DAC}/5$



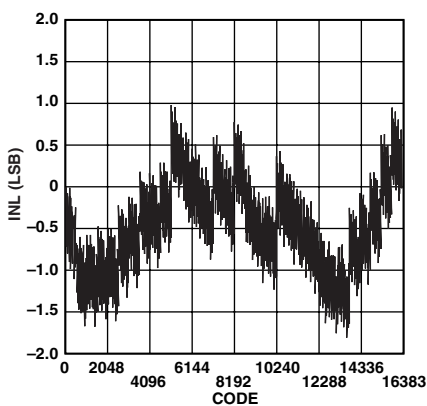
TPC 13. SINAD vs.  $f_{DAC}$  @  $f_{OUT} = 10$  MHz, 0 dBFS



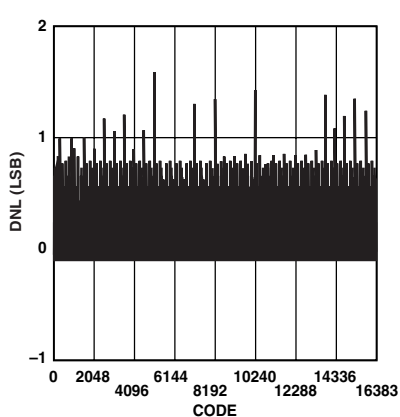
TPC 14. SFDR vs.  $I_{OUTFS}$ ,  $f_{DAC} = 300$  MSPS @ 0 dBFS



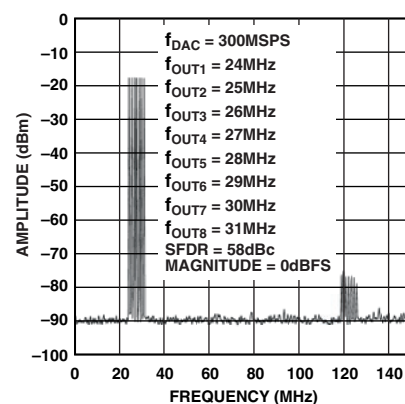
TPC 15. SFDR vs. Temperature,  $f_{DAC} = 300$  MSPS @ 0 dBFS



TPC 16. Typical INL



TPC 17. Typical DNL



TPC 18. Eight-Tone SFDR @  $f_{OUT} \approx f_{DAC}/11$ ,  $f_{DAC} = 300$  MSPS

# AD9755

## FUNCTIONAL DESCRIPTION

Figure 3 shows a simplified block diagram of the AD9755. The AD9755 consists of a PMOS current source array capable of providing up to 20 mA of full-scale current,  $I_{OUTFS}$ . The array is divided into 31 equal sources that make up the five most significant bits (MSBs). The next four bits, or middle bits, consist of 15 equal current sources whose value is 1/16th of an MSB current source. The remaining LSBs are a binary weighted fraction of the middle bit current sources. Implementing the middle and lower bits with current sources, instead of an R-2R ladder, enhances dynamic performance for multitone or low amplitude signals and helps maintain the DAC's high output impedance (i.e., >100 k $\Omega$ ).

All of the current sources are switched to one or the other of the two outputs (i.e.,  $I_{OUTA}$  or  $I_{OUTB}$ ) via PMOS differential current switches. The switches are based on a new architecture that significantly improves distortion performance. This new switch architecture reduces various timing errors and provides matching complementary drive signals to the inputs of the differential current switches.

The analog and digital sections of the AD9755 have separate power supply inputs (i.e., AVDD and DVDD) that can operate independently over a 3.0 V to 3.6 V range. The digital section, which is capable of operating at a 300 MSPS clock rate, consists of edge-triggered latches and segment decoding logic circuitry. The analog section includes the PMOS current sources, the associated differential switches, a 1.20 V band gap voltage reference, and a reference control amplifier.

The full-scale output current is regulated by the reference control amplifier and can be set from 2 mA to 20 mA via an external resistor,  $R_{SET}$ . The external resistor, in combination with both the reference control amplifier and voltage reference  $V_{REFIO}$ , sets the reference current  $I_{REF}$ , which is replicated to the segmented current sources with the proper scaling factor. The full-scale current,  $I_{OUTFS}$ , is 32 times the value of  $I_{REF}$ .

## REFERENCE OPERATION

The AD9755 contains an internal 1.20 V band gap reference. This can easily be overdriven by an external reference with no effect on performance. REFIO serves as either an *input* or *output*, depending on whether the internal or an external reference is used. To use the internal reference, simply decouple the REFIO pin to ACOM with a 0.1  $\mu$ F capacitor. The internal reference voltage will be present at REFIO. If the voltage at REFIO is to be used elsewhere in the circuit, an external buffer amplifier with an input bias current less than 100 nA should be used. An example of the use of the internal reference is given in Figure 4.

A low impedance external reference can be applied to REFIO, as shown in Figure 5. The external reference may provide either a fixed reference voltage to enhance accuracy and drift performance or a varying reference voltage for gain control. Note that the 0.1  $\mu$ F compensation capacitor is not required since the internal reference is overdriven, and the relatively high input impedance of REFIO minimizes any loading of the external reference.

## REFERENCE CONTROL AMPLIFIER

The AD9755 also contains an internal control amplifier that is used to regulate the DAC's full-scale output current,  $I_{OUTFS}$ . The control amplifier is configured as a voltage-to-current converter as shown in Figure 4, so that its current output,  $I_{REF}$ , is determined by the ratio of  $V_{REFIO}$  and an external resistor,  $R_{SET}$ , as stated in Equation 4.  $I_{REF}$  is applied to the segmented current sources with the proper scaling factor to set  $I_{OUTFS}$ , as stated in Equation 3.

The control amplifier allows a wide (10:1) adjustment span of  $I_{OUTFS}$  over a 2 mA to 20 mA range by setting  $I_{REF}$  between 62.5  $\mu$ A and 625  $\mu$ A. The wide adjustment span of  $I_{OUTFS}$  provides several application benefits. The first benefit relates directly to the power dissipation of the AD9755, which is proportional to  $I_{OUTFS}$  (refer to the Power Dissipation section). The second benefit relates to the 20 dB adjustment, which is useful for system gain control purposes.

The small signal bandwidth of the reference control amplifier is approximately 500 kHz and can be used for low frequency, small signal multiplying applications.

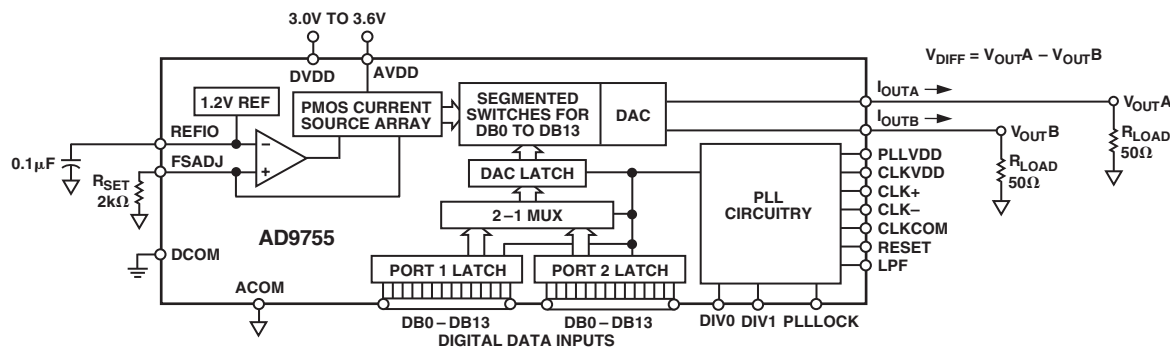


Figure 3. Simplified Block Diagram

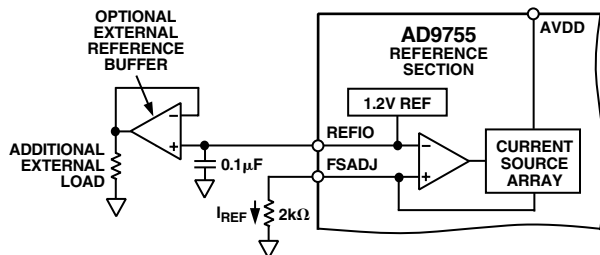


Figure 4. Internal Reference Configuration

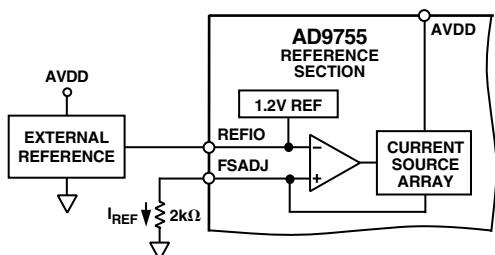


Figure 5. External Reference Configuration

**PLL CLOCK MULTIPLIER OPERATION**

The Phase-Locked Loop (PLL) is intrinsic to the operation of the AD9755 in that it produces the necessary internally synchronized 2× clock for the edge-triggered latches, multiplexer, and DAC.

With PLLVDD connected to its supply voltage, the AD9755 is in PLL active mode. Figure 6 shows a functional block diagram of the AD9755 clock control circuitry with PLL active. The circuitry consists of a phase detector, charge pump, voltage controlled oscillator (VCO), input data rate range control, clock logic circuitry, and control input/outputs. The ÷2 logic in the feedback loop allows the PLL to generate the 2× clock needed for the DAC output latch.

Figure 7 defines the input and output timing for the AD9755 with the PLL active. CLK in Figure 7 represents the clock that is generated external to the AD9755. The input data at both Ports 1 and 2 is latched on the same CLK rising edge. CLK may be applied as a single ended signal by tying CLK- to mid supply and applying CLK to CLK+, or as a differential signal applied to CLK+ and CLK-.

RESET has no purpose when using the internal PLL and should be grounded. When the AD9755 is in PLL active mode, PLLLOCK is the output of the internal phase detector. When locked, the lock output in this mode is Logic 1.

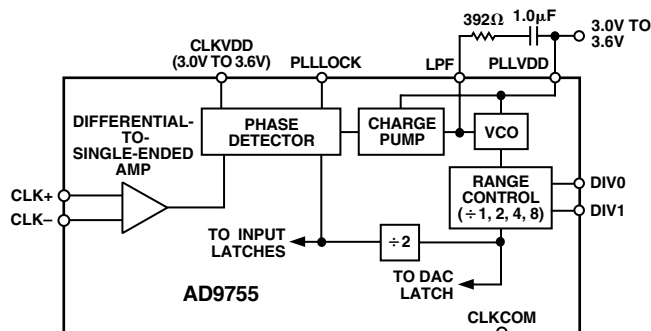


Figure 6. Clock Circuitry with PLL Active

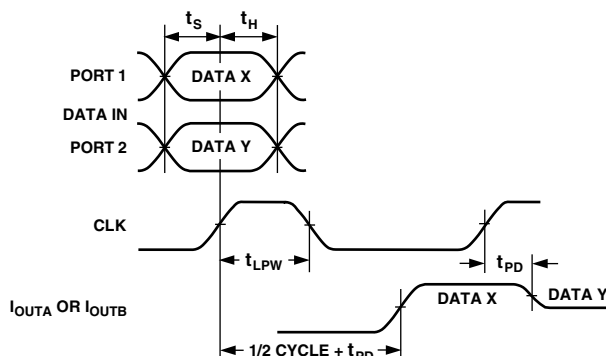


Figure 7a. DAC Input Timing Requirements with PLL Active, Single Clock Cycle

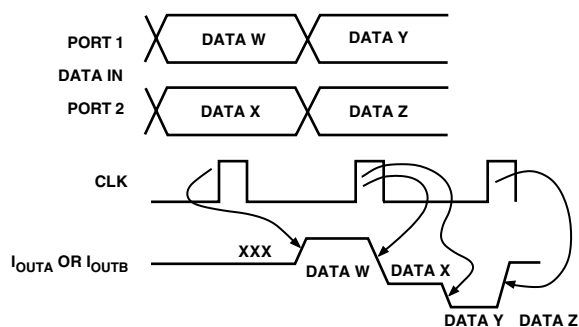


Figure 7b. DAC Input Timing Requirements with PLL Active, Multiple Clock Cycles

Typically, the VCO can generate outputs of 100 MHz to 400 MHz. The range control is used to keep the VCO operating within its designed range while allowing input clocks as low as 6.25 MHz. With the PLL active, logic levels at DIV0 and DIV1 determine the divide (prescaler) ratio of the range controller. Table I gives the frequency range of the input clock for the different states of DIV0 and DIV1.

**Table I. CLK Rates for DIV0, DIV1 Levels with PLL Active**

CLK Frequency	DIV1	DIV0	Range Controller
50 MHz–150 MHz	0	0	÷1
25 MHz–100 MHz	0	1	÷2
12.5 MHz–50 MHz	1	0	÷4
6.25 MHz–25 MHz	1	1	÷8

A 392 Ω resistor and 1.0 µF capacitor connected in series from LPF to PLLVDD are required to optimize the phase noise versus settling/acquisition time characteristics of the PLL. To obtain optimum noise and distortion performance, PLLVDD should be set to a voltage level similar to DVDD and CLKVDD.

In general, the best phase noise performance for any PLL range control setting is achieved with the VCO operating near its maximum output frequency of 400 MHz.

As stated earlier, applications requiring input data rates below 6.25 MSPS must disable the PLL clock multiplier and provide an external 2× reference clock. At higher data rates however, applications already containing a low phase noise (i.e., jitter) reference clock that is twice the input data rate should consider disabling the PLL clock multiplier to achieve the best SNR performance from the AD9755. Note that the SFDR performance of the AD9755 remains unaffected with or without the PLL clock multiplier enabled.

# AD9755

The effects of phase noise on the AD9755's SNR performance become more noticeable at higher reconstructed output frequencies and signal levels. Figure 8 compares the phase noise of a full-scale sine wave at exactly  $f_{DATA}/4$  at different data rates (thus carrier frequency) with the optimum DIV1, DIV0 setting.

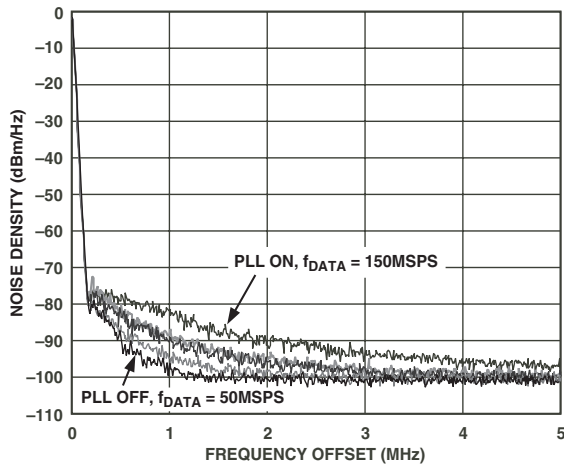


Figure 8. Phase Noise of PLL Clock Multiplier at  $f_{OUT} = f_{DATA}/4$  at Different  $f_{DATA}$  Settings with DIV0/DIV1 Optimized, Using R&S FSEA30 Spectrum Analyzer

SNR is partly a function of the jitter generated by the clock circuitry. As a result, any noise on PLLVDD or CLKVDD may decrease the SNR at the output of the DAC. To minimize this potential problem, PLLVDD and CLKVDD can be connected to DVDD using an LC filter network similar to the one shown in Figure 9.

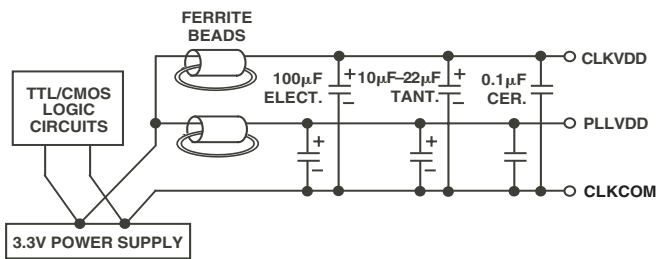


Figure 9. LC Network for Power Filtering

## DAC TIMING WITH PLL ACTIVE

As described in Figure 7, in PLL ACTIVE mode, Port 1 and Port 2 input latches are updated on the rising edge of CLK. On the same rising edge, data previously present in the input Port 2 latch is written to the DAC output latch. The DAC output will update after a short propagation delay ( $t_{PD}$ ).

Following the rising edge of CLK, at a time equal to half of its period, the data in the Port 1 latch will be written to the DAC output latch, again with a corresponding change in the DAC output. Due to the internal PLL, the time at which the data in the Port 1 and Port 2 input latches is written to the DAC latch is independent of the duty cycle of CLK. When using the PLL, the external clock can be operated at any duty cycle that meets the specified input pulsewidth.

On the next rising edge of CLK, the cycle begins again with the two input port latches being updated and the DAC output latch being updated with the current data in the Port 2 input latch.

## PLL DISABLED MODE

When PLLVDD is grounded, the PLL is disabled. An external clock must now drive the CLK inputs at the desired DAC output update rate. The speed and timing of the data present at input Ports 1 and 2 are now dependent on whether or not the AD9755 is interleaving the digital input data, or only responding to data on a single port. Figure 10 is a functional block diagram of the AD9755 clock control circuitry with the PLL disabled.

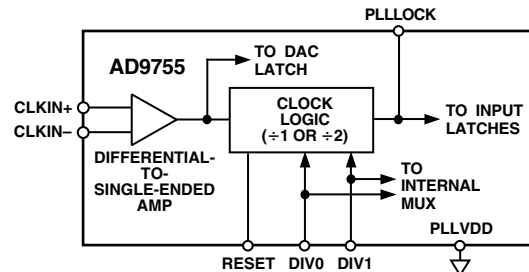


Figure 10. Clock Circuitry with PLL Disabled

DIV0 and DIV1 no longer control the PLL, but are used to set the control on the input mux for either interleaving or non-interleaving the input data. The different modes for states of DIV0 and DIV1 are given in Table II.

Table II. Input Mode for DIV0, DIV1 Levels with PLL Disabled

Input Mode	DIV1	DIV0
Interleaved (2x)	0	0
Noninterleaved		
Port 1 Selected	0	1
Port 2 Selected	1	0
Not Allowed	1	1

## INTERLEAVED (2×) MODE WITH PLL DISABLED

The relationship between the internal and external clocks in this mode is shown in Figure 11. A clock at the output update data rate (2× the input data rate) must be applied to the CLK inputs. Internal dividers then create the internal 1× clock necessary for the input latches. Although the input latches are updated on the rising edge of the delayed internal 1× clock, the setup-and-hold times given in the Digital Specifications table are with respect to the rising edge of the external 2× clock. With the PLL disabled, a load-dependent delayed version of the 1× clock is present at the PLLLOCK pin. This signal can be used to synchronize the external data.

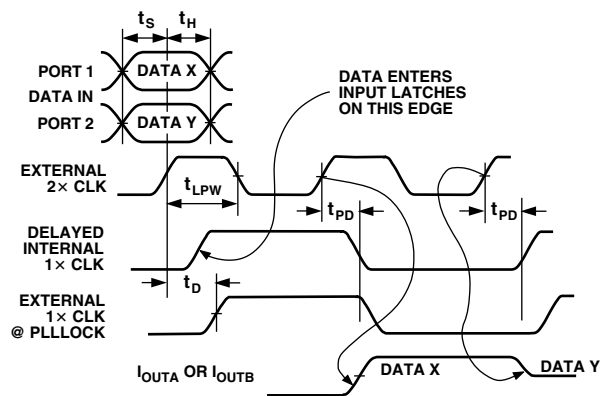


Figure 11. Timing Requirements, Interleaved (2×) Mode with PLL Disabled

Updates to the data at input Ports 1 and 2 should be synchronized to the specific rising edge of the external 2× clock that corresponds to the rising edge of the 1× internal clock, as shown in Figure 11. To ensure synchronization, a Logic 1 must be momentarily applied to the RESET pin. Doing this and returning RESET to Logic 0 brings the 1× clock at PLLLOCK to a Logic 1. On the next rising edge of the 2× clock, the 1× clock will go to Logic 0. On the second rising edge of the 2× clock, the 1× clock (PLLLOCK) will again go to Logic 1, as well as update the data in both of the input latches. The details of this are shown in Figure 12.

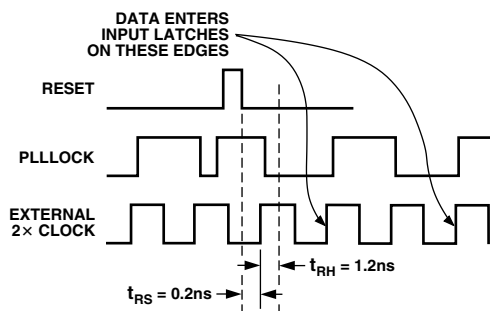


Figure 12. Reset Function Timing with PLL Disabled

For proper synchronization, sufficient delay must be present between the time RESET goes low and the rising edge of the 2× clock. RESET going low must occur either at least  $t_{RS}$  ns before the rising edge of the 2× clock, or  $t_{RH}$  ns afterwards. In the first case, the immediately occurring CLK rising edge will cause PLLLOCK to go low. In the second case, the next CLK rising edge will toggle PLLLOCK.

## NONINTERLEAVED MODE WITH PLL DISABLED

If the data at only one port is required, the AD9755 interface can operate as a simple double buffered latch with no interleaving. On the rising edge of the 1× clock, input latch 1 or 2 is updated with the present input data (depending on the state of DIV0/DIV1). On the next rising edge, the DAC latch is updated and a time  $t_{PD}$  later, the DAC output reflects this change. Figure 13 represents the AD9755 timing in this mode.

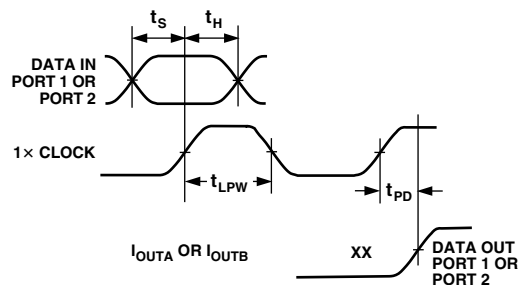


Figure 13. Timing Requirements, Noninterleaved Mode with PLL Disabled

## DAC TRANSFER FUNCTION

The AD9755 provides complementary current outputs,  $I_{OUTA}$  and  $I_{OUTB}$ .  $I_{OUTA}$  provides a near full-scale current output,  $I_{OUTFS}$ , when all bits are high (i.e., DAC CODE = 16383) while  $I_{OUTB}$ , the complementary output, provides no current. The current output appearing at  $I_{OUTA}$  and  $I_{OUTB}$  is a function of both the input code and  $I_{OUTFS}$ , and can be expressed as

$$I_{OUTA} = (DAC\ CODE / 16383) \times I_{OUTFS} \quad (1)$$

$$I_{OUTB} = (16383 - DAC\ CODE) / 16384 \times I_{OUTFS} \quad (2)$$

where  $DAC\ CODE = 0$  to 16383 (i.e., decimal representation).

As mentioned previously,  $I_{OUTFS}$  is a function of the reference current,  $I_{REF}$ , which is nominally set by a reference voltage,  $V_{REFIO}$ , and external resistor  $R_{SET}$ . It can be expressed as

$$I_{OUTFS} = 32 \times I_{REF} \quad (3)$$

$$\text{where } I_{REF} = V_{REFIO} / R_{SET} \quad (4)$$

The two current outputs typically drive a resistive load directly or via a transformer. If dc coupling is required,  $I_{OUTA}$  and  $I_{OUTB}$  should be directly connected to matching resistive loads,  $R_{LOAD}$ , that are tied to analog common, ACOM. Note that  $R_{LOAD}$  may represent the equivalent load resistance seen by  $I_{OUTA}$  or  $I_{OUTB}$  as would be the case in a doubly terminated 50 Ω or 75 Ω cable. The single-ended voltage output appearing at the  $I_{OUTA}$  and  $I_{OUTB}$  nodes is simply

$$V_{OUTA} = I_{OUTA} \times R_{LOAD} \quad (5)$$

$$V_{OUTB} = I_{OUTB} \times R_{LOAD} \quad (6)$$

Note that the full-scale value of  $V_{OUTA}$  and  $V_{OUTB}$  should not exceed the specified output compliance range to maintain specified distortion and linearity performance.

$$V_{DIFF} = (I_{OUTA} - I_{OUTB}) \times R_{LOAD} \quad (7)$$

Substituting the values of  $I_{OUTA}$ ,  $I_{OUTB}$ , and  $I_{REF}$ ,  $V_{DIFF}$  can be expressed as

$$V_{DIFF} = \left\{ (2\ DAC\ CODE - 16383) / 16384 \right\} \times (32\ R_{LOAD} / R_{SET}) \times V_{REFIO} \quad (8)$$



# AD9755

Equations 7 and 8 highlight some of the advantages of operating the AD9755 differentially. First, the differential operation will help cancel common-mode error sources associated with  $I_{OUTA}$  and  $I_{OUTB}$  such as noise, distortion, and dc offsets. Second, the differential code-dependent current and subsequent voltage,  $V_{DIFF}$ , is twice the value of the single-ended voltage output (i.e.,  $V_{OUTA}$  or  $V_{OUTB}$ ), thus providing twice the signal power to the load.

Note that the gain drift temperature performance for a single-ended ( $V_{OUTA}$  and  $V_{OUTB}$ ) or differential output ( $V_{DIFF}$ ) of the AD9755 can be enhanced by selecting temperature tracking resistors for  $R_{LOAD}$  and  $R_{SET}$  due to their ratiometric relationship, as shown in Equation 8.

## ANALOG OUTPUTS

The AD9755 produces two complementary current outputs,  $I_{OUTA}$  and  $I_{OUTB}$ , that may be configured for single-ended or differential operation.  $I_{OUTA}$  and  $I_{OUTB}$  can be converted into complementary single-ended voltage outputs,  $V_{OUTA}$  and  $V_{OUTB}$ , via a load resistor,  $R_{LOAD}$ , as described by Equations 5 through 8 in the DAC Transfer Function section. The differential voltage,  $V_{DIFF}$ , existing between  $V_{OUTA}$  and  $V_{OUTB}$ , can also be converted to a single-ended voltage via a transformer or differential amplifier configuration. The ac performance of the AD9755 is optimum and is specified using a differential transformer-coupled output in which the voltage swing at  $I_{OUTA}$  and  $I_{OUTB}$  is limited to  $\pm 0.5$  V. If a single-ended unipolar output is desirable,  $I_{OUTA}$  should be selected as the output, with  $I_{OUTB}$  grounded.

The distortion and noise performance of the AD9755 can be enhanced when it is configured for differential operation. The common-mode error sources of both  $I_{OUTA}$  and  $I_{OUTB}$  can be significantly reduced by the common-mode rejection of a transformer or differential amplifier. These common-mode error sources include even-order distortion products and noise. The enhancement in distortion performance becomes more significant as the frequency content of the reconstructed waveform increases. This is due to the first order cancellation of various dynamic common-mode distortion mechanisms, digital feedthrough, and noise.

Performing a differential-to-single-ended conversion via a transformer also provides the ability to deliver twice the reconstructed signal power to the load (i.e., assuming no source termination). Since the output currents of  $I_{OUTA}$  and  $I_{OUTB}$  are complementary, they become additive when processed differentially. A properly selected transformer will allow the AD9755 to provide the required power and voltage levels to different loads. Refer to Applying the AD9755 section for examples of various output configurations.

The output impedance of  $I_{OUTA}$  and  $I_{OUTB}$  is determined by the equivalent parallel combination of the PMOS switches associated with the current sources and is typically 100 k $\Omega$  in parallel with 5 pF. It is also slightly dependent on the output voltage (i.e.,  $V_{OUTA}$  and  $V_{OUTB}$ ) due to the nature of a PMOS device. As a result, maintaining  $I_{OUTA}$  and/or  $I_{OUTB}$  at a virtual ground via an I-V op amp configuration will result in the optimum dc linearity. Note that the INL/DNL specifications for the AD9755 are measured with  $I_{OUTA}$  and  $I_{OUTB}$  maintained at virtual ground via an op amp.

$I_{OUTA}$  and  $I_{OUTB}$  also have a negative and positive voltage compliance range that must be adhered to in order to achieve optimum performance. The negative output compliance range of  $-1.0$  V is set by the breakdown limits of the CMOS process. Operation beyond this maximum limit may result in a breakdown of the output stage and affect the reliability of the AD9755.

The positive output compliance range is slightly dependent on the full-scale output current,  $I_{OUTFS}$ . It degrades slightly from its nominal 1.25 V for an  $I_{OUTFS} = 20$  mA to 1.00 V for an  $I_{OUTFS} = 2$  mA. The optimum distortion performance for a single-ended or differential output is achieved when the maximum full-scale signal at  $I_{OUTA}$  and  $I_{OUTB}$  does not exceed 0.5 V. Applications requiring the AD9755's output (i.e.,  $V_{OUTA}$  and/or  $V_{OUTB}$ ) to extend its output compliance range should size  $R_{LOAD}$  accordingly. Operation beyond this compliance range will adversely affect the AD9755's linearity performance and subsequently degrade its distortion performance.

## DIGITAL INPUTS

The AD9755's digital inputs consist of two channels of 14 data input pins each and a pair of differential clock input pins. The 14-bit parallel data inputs follow standard straight binary coding where DB13 is the most significant bit (MSB) and DB0 is the least significant bit (LSB).  $I_{OUTA}$  produces a full-scale output current when all data bits are at Logic 1.  $I_{OUTB}$  produces a complementary output with the full-scale current split between the two outputs as a function of the input code.

The digital interface is implemented using an edge-triggered master slave latch. With the PLL active or disabled, the DAC output is updated twice for every input latch rising edge, as shown in Figures 7 and 11. The AD9755 is designed to support an input data rate as high as 150 MSPS, giving a DAC output update rate of 300 MSPS. The setup-and-hold times can also be varied within the clock cycle as long as the specified minimum times are met. Best performance is typically achieved when the input data transitions on the falling edge of a 50% duty cycle clock.

The digital inputs are CMOS compatible with logic thresholds,  $V_{THRESHOLD}$ , set to approximately half the digital positive supply ( $DVDD$ ) or

$$V_{THRESHOLD} = DVDD/2(\pm 20\%)$$

The internal digital circuitry of the AD9755 is capable of operating over a digital supply range of 3.0 V to 3.6 V. As a result, the digital inputs can also accommodate TTL levels when  $DVDD$  is set to accommodate the maximum high level voltage of the TTL drivers  $V_{OH(max)}$ . A  $DVDD$  of 3.0 V to 3.6 V typically ensures proper compatibility with most TTL logic families. Figure 14 shows the equivalent digital input circuit for the data and clock inputs.

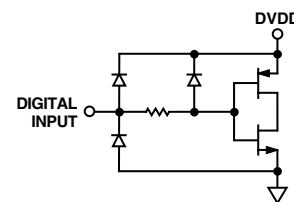


Figure 14. Equivalent Digital Input

The AD9755 features a flexible differential clock input operating from separate supplies (i.e., CLKVDD, CLKCOM) to achieve optimum jitter performance. The two clock inputs, CLK+ and CLK–, can be driven from a single-ended or differential clock source. For single-ended operation, CLK+ should be driven by a logic source while CLK– should be set to the threshold voltage of the logic source. This can be done via a resistor divider/capacitor network, as shown in Figure 15a. For differential operation, both CLK+ and CLK– should be biased to CLKVDD/2 via a resistor divider network, as shown in Figure 15b.

Because the output of the AD9755 can be updated at up to 300 MSPS, the quality of the clock and data input signals are important in achieving the optimum performance. The drivers of the digital data interface circuitry should be specified to meet the minimum setup-and-hold times of the AD9755 as well as its required min/max input logic level thresholds.

Digital signal paths should be kept short and run lengths matched to avoid propagation delay mismatch. Inserting a low value resistor network (i.e., 20  $\Omega$  to 100  $\Omega$ ) between the AD9755 digital inputs and driver outputs may be helpful in reducing any overshooting and ringing at the digital inputs that contribute to data feedthrough. For longer run lengths and high data update rates, strip line techniques with proper termination resistors should be considered to maintain “clean” digital inputs.

The external clock driver circuitry should provide the AD9755 with a low jitter clock input meeting the min/max logic levels while providing fast edges. Fast clock edges help minimize any jitter that manifests itself as phase noise on a reconstructed waveform. Thus, the clock input should be driven by the fastest logic family suitable for the application.

Note that the clock input could also be driven via a sine wave that is centered around the digital threshold (i.e., DVDD/2) and meets the min/max logic threshold. This typically results in a slight degradation in the phase noise, which becomes more noticeable at higher sampling rates and output frequencies. Also, at higher sampling rates, the 20% tolerance of the digital logic threshold should be considered since it affects the effective clock duty cycle and, subsequently, cuts into the required data setup-and-hold times.

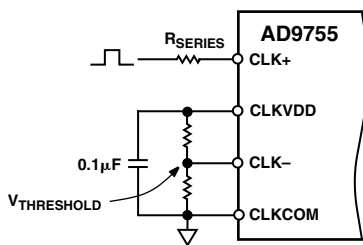


Figure 15a. Single-Ended Clock Interface

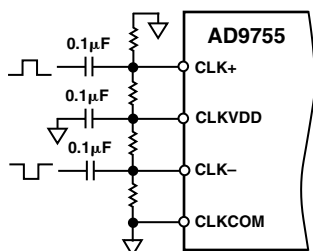


Figure 15b. Differential Clock Interface

## INPUT CLOCK AND DATA TIMING RELATIONSHIP

SNR in a DAC is dependent on the relationship between the position of the clock edges and the point in time at which the input data changes. The AD9755 is rising edge triggered, and so exhibits SNR sensitivity when the data transition is close to this edge. In general, the goal when applying the AD9755 is to make the data transition close to the falling clock edge. This becomes more important as the sample rate increases. Figure 16 shows the relationship of SNR to clock placement with different sample rates. Note that the setup-and-hold times implied in Figure 16 appear to violate the maximums stated in the Digital Specifications table. The variation in Figure 16 is due to the skew present between data bits inherent in the digital data generator used to perform these tests. Figure 16 is presented to show the effects of violating setup-and-hold times, and to show the insensitivity of the AD9755 to clock placement when data transitions fall outside of the so-called “bad window.” The setup-and-hold times stated in the Digital Specifications table were measured on a bit-by-bit basis, therefore eliminating the skew present in the digital data generator. At higher data rates, it becomes very important to account for the skew in the input digital data when defining timing specifications.

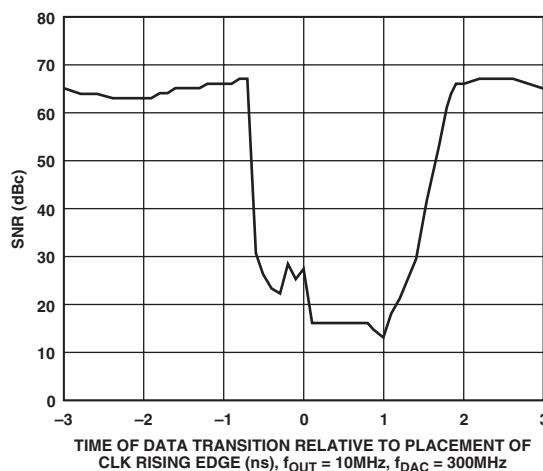


Figure 16. SNR vs. Time of Data Transition Relative to Clock Rising Edge

## POWER DISSIPATION

The power dissipation,  $P_D$ , of the AD9755 is dependent on several factors that include the power supply voltages (AVDD and DVDD), the full-scale current output  $I_{OUTFS}$ , the update rate  $f_{CLOCK}$ , and the reconstructed digital input waveform. The power dissipation is directly proportional to the analog supply current,  $I_{AVDD}$ , and the digital supply current,  $I_{DVDD}$ .  $I_{AVDD}$  is directly proportional to  $I_{OUTFS}$ , as shown in Figure 17, and is insensitive to  $f_{CLOCK}$ . Conversely,  $I_{DVDD}$  is dependent on both the digital input waveform,  $f_{CLOCK}$ , and digital supply DVDD. Figure 18 shows  $I_{DVDD}$  as a function of the ratio ( $f_{OUT}/f_{DAC}$ ) for various update rates. In addition, Figure 19 shows the effect that the speed of  $f_{DAC}$  has on the PLLVDD current, given the PLL divider ratio.

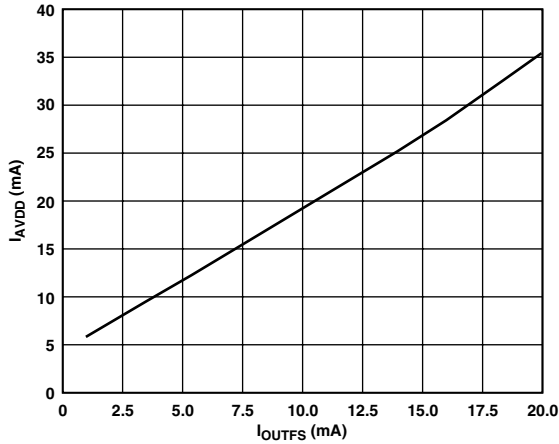


Figure 17.  $I_{AVDD}$  vs.  $I_{OUTFS}$

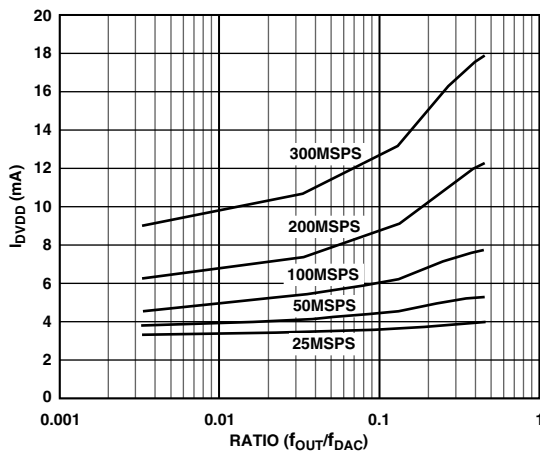


Figure 18.  $I_{DVDD}$  vs.  $f_{OUT}/f_{DAC}$  Ratio

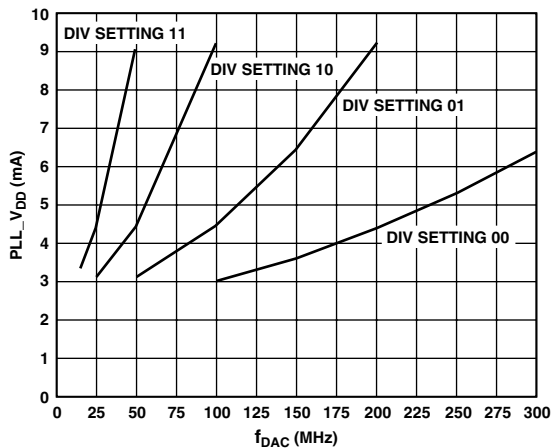


Figure 19.  $PLL_{VDD}$  vs.  $f_{DAC}$

## APPLYING THE AD9755 OUTPUT CONFIGURATIONS

The following sections illustrate some typical output configurations for the AD9755. Unless otherwise noted, it is assumed that  $I_{OUTFS}$  is set to a nominal 20 mA. For applications requiring the optimum dynamic performance, a differential output configuration is suggested. A differential output configuration may consist of either an RF transformer or a differential op amp configuration. The transformer configuration provides the optimum high frequency performance and is recommended for any application allowing for ac coupling. The differential op amp configuration is suitable for applications requiring dc coupling, a bipolar output, signal gain, and/or level-shifting within the bandwidth of the chosen op amp.

A single-ended output is suitable for applications requiring a unipolar voltage output. A positive unipolar output voltage will result if  $I_{OUTA}$  and/or  $I_{OUTB}$  are connected to an appropriately sized load resistor,  $R_{LOAD}$ , referred to ACOM. This configuration may be more suitable for a single-supply system requiring a dc-coupled, ground referred output voltage. Alternatively, an amplifier could be configured as an I-V converter, thus converting  $I_{OUTA}$  or  $I_{OUTB}$  into a negative unipolar voltage. This configuration provides the best dc linearity since  $I_{OUTA}$  or  $I_{OUTB}$  is maintained at a virtual ground. Note that  $I_{OUTA}$  provides slightly better performance than  $I_{OUTB}$ .

## DIFFERENTIAL COUPLING USING A TRANSFORMER

An RF transformer can be used to perform a differential-to-single-ended signal conversion, as shown in Figure 20. A differentially-coupled transformer output provides the optimum distortion performance for output signals whose spectral content lies within the transformer's pass band. An RF transformer such as the Mini-Circuits T1-1T provides excellent rejection of common-mode distortion (i.e., even-order harmonics) and noise over a wide frequency range. When  $I_{OUTA}$  and  $I_{OUTB}$  are terminated to ground with 50  $\Omega$ , this configuration provides 0 dBm power to a 50  $\Omega$  load on the secondary with a DAC full-scale current of 20 mA. A 2:1 transformer such as the Coilcraft WB2040-PC can also be used in a configuration in which  $I_{OUTA}$  and  $I_{OUTB}$  are terminated to ground with 75  $\Omega$ . This configuration improves load matching and increases power to 2 dBm into a 50  $\Omega$  load on the secondary. Transformers with different impedance ratios may also be used for impedance matching purposes. Note that the transformer provides ac coupling only.

The center tap on the primary side of the transformer must be connected to ACOM to provide the necessary dc current path for both  $I_{OUTA}$  and  $I_{OUTB}$ . The complementary voltages appearing at  $I_{OUTA}$  and  $I_{OUTB}$  (i.e.,  $V_{OUTA}$  and  $V_{OUTB}$ ) swing symmetrically around ACOM and should be maintained with the specified output compliance range of the AD9755. A differential resistor,  $R_{DIFF}$ , may be inserted into applications where the output of the transformer is connected to the load,  $R_{LOAD}$ , via a passive reconstruction filter or cable.  $R_{DIFF}$  is determined by the transformer's impedance ratio and provides the proper source termination that results in a low VSWR.



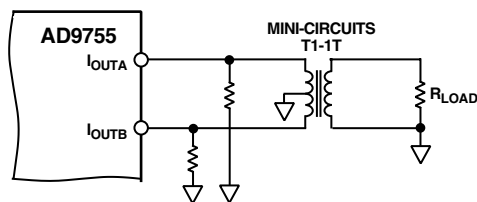


Figure 20. Differential Output Using a Transformer

#### DIFFERENTIAL COUPLING USING AN OP AMP

An op amp can also be used to perform a differential-to-single-ended conversion, as shown in Figure 21. The AD9755 is configured with two equal load resistors,  $R_{LOAD}$ , of  $25\ \Omega$ . The differential voltage developed across  $I_{OUTA}$  and  $I_{OUTB}$  is converted to a single-ended signal via the differential op amp configuration. An optional capacitor can be installed across  $I_{OUTA}$  and  $I_{OUTB}$ , forming a real pole in a low-pass filter. The addition of this capacitor also enhances the op amp's distortion performance by preventing the DAC's high slewing output from overloading the op amp's input.

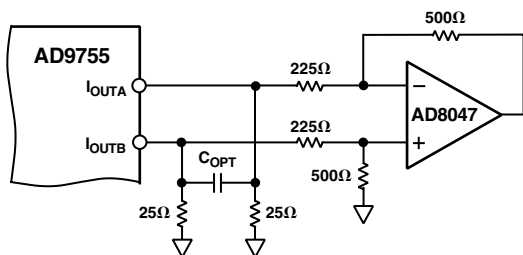


Figure 21. DC Differential Coupling Using an Op Amp

The common-mode rejection of this configuration is typically determined by the resistor matching. In this circuit, the differential op amp circuit using the AD8047 is configured to provide some additional signal gain. The op amp must operate from a dual supply since its output is approximately  $\pm 1.0\text{ V}$ . A high speed amplifier capable of preserving the differential performance of the AD9755, while meeting other system level objectives (i.e., cost, power), should be selected. The op amp's differential gain, its gain setting resistor values, and full-scale output swing capabilities should all be considered when optimizing this circuit.

The differential circuit shown in Figure 22 provides the necessary level-shifting required in a single supply system. In this case,  $AVDD$ , which is the positive analog supply for both the AD9755 and the op amp, is also used to level-shift the differential output of the AD9755 to midsupply (i.e.,  $AVDD/2$ ). The AD8041 is a suitable op amp for this application.

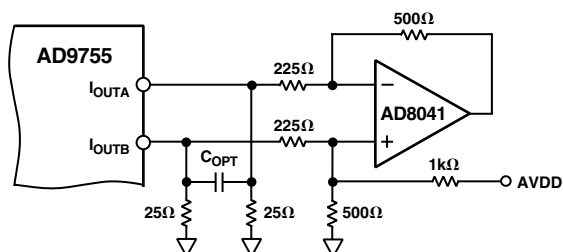


Figure 22. Single-Supply DC Differential Coupled Circuit

#### SINGLE-ENDED UNBUFFERED VOLTAGE OUTPUT

Figure 23 shows the AD9755 configured to provide a unipolar output range of approximately  $0\text{ V}$  to  $0.5\text{ V}$  for a doubly terminated  $50\ \Omega$  cable since the nominal full-scale current,  $I_{OUTFS}$ , of  $20\text{ mA}$  flows through the equivalent  $R_{LOAD}$  of  $25\ \Omega$ . In this case,  $R_{LOAD}$  represents the equivalent load resistance seen by  $I_{OUTA}$  or  $I_{OUTB}$ . The unused output ( $I_{OUTA}$  or  $I_{OUTB}$ ) can be connected to ACOM directly or via a matching  $R_{LOAD}$ . Different values of  $I_{OUTFS}$  and  $R_{LOAD}$  can be selected as long as the positive compliance range is adhered to. One additional consideration in this mode is the integral nonlinearity (INL), as discussed in the Analog Outputs section. For optimum INL performance, the single-ended, buffered voltage output configuration is suggested.

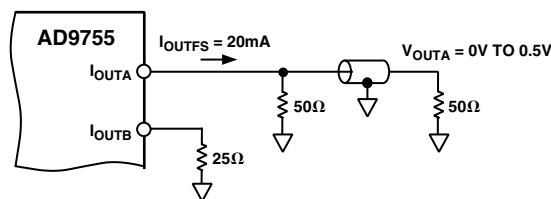


Figure 23.  $0\text{ V}$  to  $0.5\text{ V}$  Unbuffered Voltage Output

#### SINGLE-ENDED BUFFERED VOLTAGE OUTPUT

Figure 24 shows a buffered single-ended output configuration in which the op amp performs an I-V conversion on the AD9755 output current. The op amp maintains  $I_{OUTA}$  (or  $I_{OUTB}$ ) at a virtual ground, thus minimizing the nonlinear output impedance effect on the DAC's INL performance as discussed in the Analog Outputs section. Although this single-ended configuration typically provides the best dc linearity performance, its ac distortion performance at higher DAC update rates may be limited by the op amp's slewing capabilities. The op amp provides a negative unipolar output voltage and its full-scale output voltage is simply the product of  $R_{FB}$  and  $I_{OUTFS}$ . The full-scale output should be set within the op amp's voltage output swing capabilities by scaling  $I_{OUTFS}$  and/or  $R_{FB}$ . An improvement in ac distortion performance may result with a reduced  $I_{OUTFS}$ , since the signal current the op amp will be required to sink will subsequently be reduced.

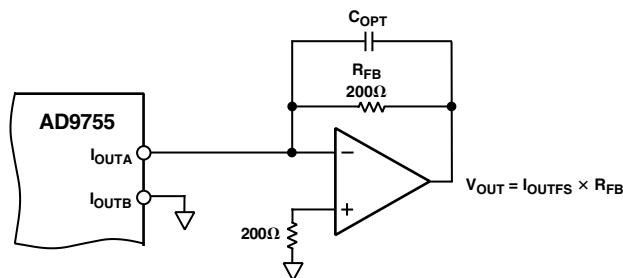


Figure 24. Unipolar Buffered Voltage Output

# AD9755

## POWER AND GROUNDING CONSIDERATIONS, POWER SUPPLY REJECTION

Many applications seek high speed and high performance under less than ideal operating conditions. In these applications, the implementation and construction of the printed circuit board is as important as the circuit design. Proper RF techniques must be used for device selection, placement, and routing, as well as power supply bypassing and grounding to ensure optimum performance. Figures 34 to 41 illustrate the recommended printed circuit board ground, power, and signal plane layouts that are implemented on the AD9755 evaluation board.

One factor that can measurably affect system performance is the ability of the DAC output to reject dc variations or ac noise superimposed on the analog or digital dc power distribution. This is referred to as the Power Supply Rejection Ratio. For dc variations of the power supply, the resulting performance of the DAC directly corresponds to a gain error associated with the DAC's full-scale current,  $I_{OUTFS}$ . AC noise on the dc supplies is common in applications where the power distribution is generated by a switching power supply. Typically, switching power supply noise occurs over the spectrum from tens of kHz to several MHz. The PSRR versus frequency of the AD9755 AVDD supply over this frequency range is shown in Figure 25.

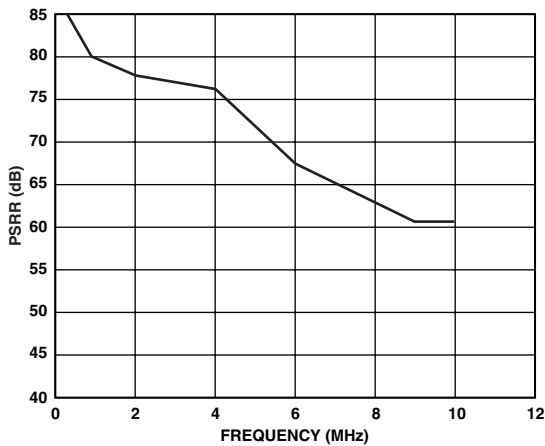


Figure 25. Power Supply Rejection Ratio

Note that the units in Figure 25 are given in units of (amps out/volts in). Noise on the analog power supply has the effect of modulating the internal switches, and therefore the output current. The voltage noise on AVDD thus is added in a nonlinear manner to the desired  $I_{OUT}$ . Due to the relative different size of these switches, PSRR is very code-dependent. This can produce a

mixing effect that can modulate low frequency power supply noise to higher frequencies. Worst-case PSRR for either one of the differential DAC outputs occurs when the full-scale current is directed toward that output. As a result, the PSRR measurement in Figure 25 represents a worst-case condition in which the digital inputs remain static and the full-scale output current of 20 mA is directed to the DAC output being measured.

An example serves to illustrate the effect of supply noise on the analog supply. Suppose a switching regulator with a switching frequency of 250 kHz produces 10 mV rms of noise and, for simplicity sake (i.e., ignore harmonics), all of this noise is concentrated at 250 kHz. To calculate how much of this undesired noise will appear as current noise superimposed on the DAC's full-scale current,  $I_{OUTFS}$ , one must determine the PSRR in dB using Figure 25 at 250 kHz. To calculate the PSRR for a given  $R_{LOAD}$ , such that the units of PSRR are converted from A/V to V/V, adjust the curve in Figure 25 by the scaling factor  $20 \times \text{Log}(R_{LOAD})$ . For instance, if  $R_{LOAD}$  is 50  $\Omega$ , the PSRR is reduced by 34 dB, i.e., PSRR of the DAC at 250 kHz, which is 85 dB in Figure 25, becomes 51 dB  $V_{OUT}/V_{IN}$ .

Proper grounding and decoupling should be a primary objective in any high speed, high resolution system. The AD9755 features separate analog and digital supply and ground pins to optimize the management of analog and digital ground currents in a system. In general, AVDD, the analog supply, should be decoupled to ACOM, the analog common, as close to the chip as physically possible. Similarly, DVDD, the digital supply, should be decoupled to DCOM as close to the chip as physically possible.

For those applications that require a single 3.3 V supply for both the analog and digital supplies, a clean analog supply may be generated using the circuit shown in Figure 26. The circuit consists of a differential LC filter with separate power supply and return lines. Lower noise can be attained by using low ESR type electrolytic and tantalum capacitors.

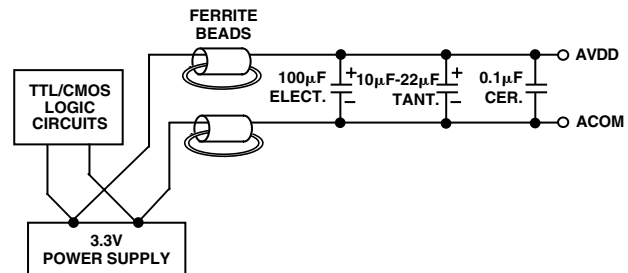


Figure 26. Differential LC Filter for a Single 3.3 V Application

## APPLICATIONS

### QAM/PSK Synthesis

Quadrature modulation (QAM or PSK) consists of two baseband PAM (Pulse Amplitude Modulated) data channels. Both channels are modulated by a common frequency carrier. However, the carriers for each channel are phase-shifted 90° from each other. This orthogonality allows twice the spectral efficiency (data for a given bandwidth) of digital data transmitted via AM. Receivers can be designed to selectively choose the “in phase” and “quadrature” carriers, and then recombine the data. The recombination of the QAM data can be mapped as points representing digital words in a two-dimensional constellation, as shown in Figure 27. Each point, or symbol, represents the transmission of multiple bits in one symbol period.

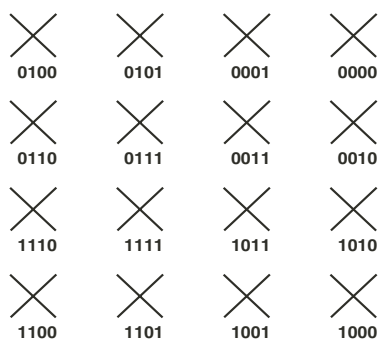


Figure 27. 16 QAM Constellation, Gray Coded (Two 4-Level PAM Signals with Orthogonal Carriers)

Typically, the I and Q data channels are quadrature-modulated in the digital domain. The high data rate of the AD9755 allows extremely wideband (>10 MHz) quadrature carriers to be synthesized at IFs of over 100 MHz. Figure 28 shows an example of a 25 MSymbol/S QAM signal, raised cosine-like pulse, oversampled by 8 at a data rate of 200 MSPS modulated onto a 25 MHz carrier and reconstructed using the AD9755.

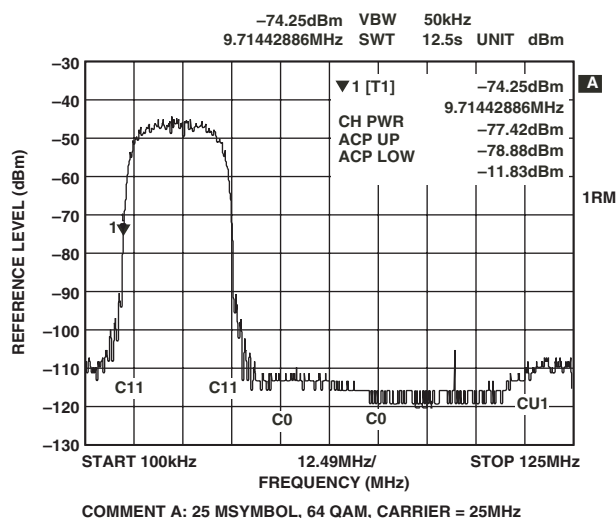


Figure 28. Reconstructed 64-QAM Signal at 25 MHz IF

A figure of merit for wideband signal synthesis is the ratio of signal power in the transmitted band to the power in an adjacent channel. In Figure 28, the adjacent channel power ratio (ACPR) at the output of the AD9755 is measured to be 65 dB. The limitation on making a measurement of this type is often not the DAC but the noise inherent in creating the digital data record using computer tools. To find how much this is limiting the perceived DAC performance, the signal amplitude can be reduced, as is shown in Figure 29. The noise contributed by the DAC will remain constant as the signal amplitude is reduced. When the signal amplitude is reduced to the level where the noise floor drops below that of the spectrum analyzer, ACPR will fall off at the same rate that the signal level is being reduced. Under the conditions measured in Figure 28, this point occurs in Figure 29 at -10 dBFS. This shows that the data record is actually degrading the measured ACPR by up to 10 dB.

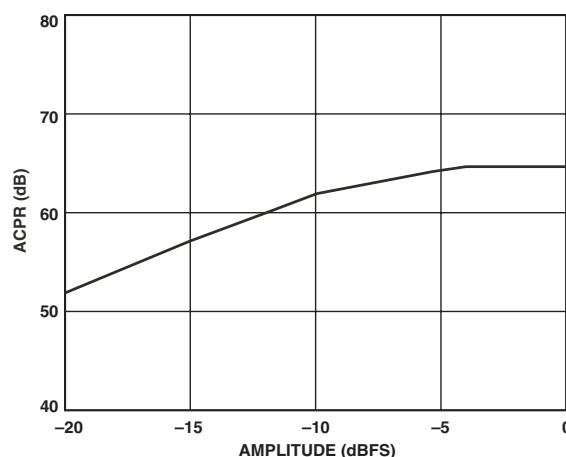


Figure 29. ACPR vs. Amplitude for QAM Carrier

A single-channel active mixer such as the Analog Devices AD8343 can then be used for the hop to the transmit frequency. Figure 30 shows an applications circuit using the AD9755 and the AD8343. The AD8343 is capable of mixing carriers from dc to 2.5 GHz. Figure 31 shows the result of mixing the signal in Figure 28 up to a carrier frequency of 800 MHz. ACPR measured at the output of the AD8343 is shown in Figure 31 to be 60 dB.

# AD9755

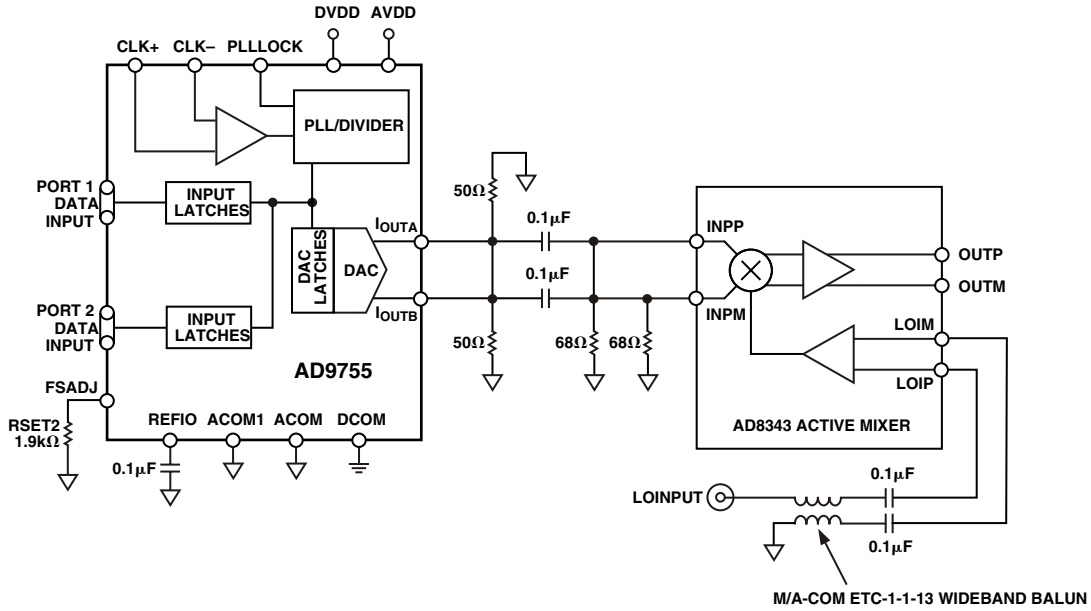


Figure 30. QAM Transmitter Architecture Using AD9755 and AD8343 Active Mixer

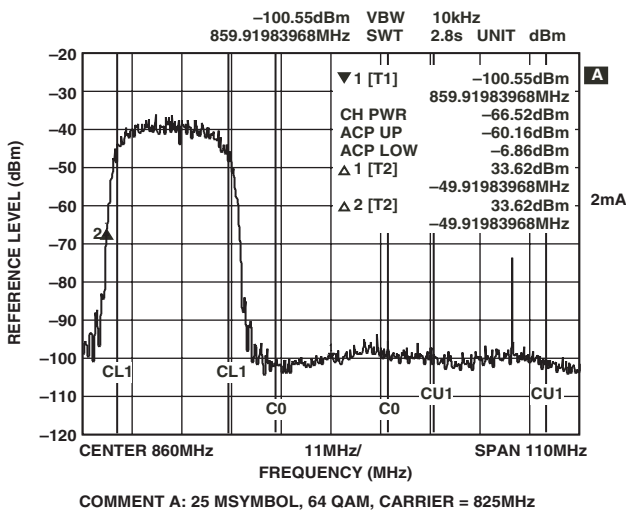


Figure 31. Signal of Figure 28 Mixed to Carrier Frequency of 800 MHz

## Effects of Noise and Distortion on Bit Error Rate (BER)

Textbook analysis of Bit Error Rate (BER) performance is generally stated in terms of E (energy in watts-per-symbol or watts-per-bit) and  $N_0$  (spectral noise density in watts/Hz). For QAM signals, this performance is shown graphically in Figure 32. M represents the number of levels in each quadrature PAM signal (i.e.,  $M = 8$  for 64 QAM,  $M = 16$  for 256 QAM). Figure 32 implies gray coding in the QAM constellation, as well as the use of matched filters at the receiver, which is typical. The horizontal axis of Figure 32 can be converted to units of energy/symbol by adding to the horizontal axis  $10 \log$  of the number of bits in the desired curve. For instance, to achieve a BER of  $1e-6$  with 64 QAM, an energy per bit of 20 dB is necessary. To calculate energy per symbol, add  $10 \log(6)$  or 7.8 dB. Therefore 64 QAM with a BER of  $1e-6$  (assuming no source or channel

coding) can theoretically be achieved with an energy/symbol-to-noise ( $E/N_0$ ) ratio of 27.8 dB. Due to the loss and interferers inherent in the wireless path, this signal-to-noise ratio must be realized at the receiver to achieve the given bit error rate.

Distortion effects on BER are much more difficult to determine accurately. Most often in simulation, the energies of the strongest distortion components are root-sum-squared with the noise, and the result is treated as if it were all noise. That being said, if the example above of 64 QAM with the BER of  $1e-6$ , using the  $E/N_0$  ratio is much greater than the worst-case SFDR, the noise will dominate the BER calculation.

The AD9755 has a worst-case in-band SFDR of 47 dB at the upper end of its frequency spectrum (see TPCs 2, 3). When used to synthesize high level QAM signals as described above, noise, as opposed to distortion, will dominate its performance in these applications.

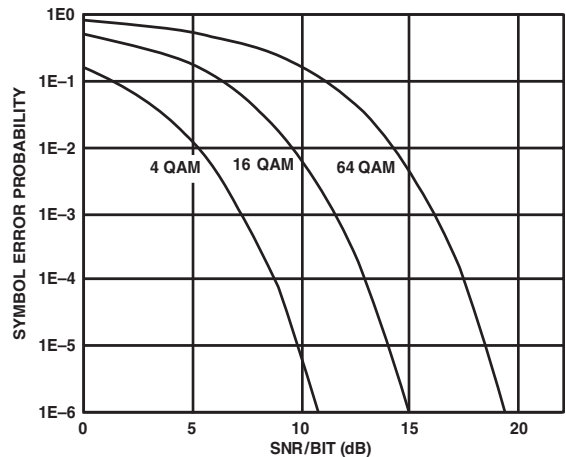


Figure 32. Probability of a Symbol Error for QAM

### Pseudo Zero Stuffing/IF Mode

The excellent dynamic range of the AD9755 allows its use in applications where synthesis of multiple carriers is desired. In addition, the AD9755 can be used in a pseudo zero-stuffing mode, which improves dynamic range at IF frequencies. In this mode, data from the two input channels is interleaved to the DAC, which is running at twice the speed of either of the input ports. However, the data at Port 2 is held constant at midscale. The effect of this is shown in Figure 33. The IF signal is the image, with respect to the input data rate, of the fundamental. Normally, the  $\sin x/x$  response of the DAC attenuates this image. Zero stuffing improves the passband flatness so that the image amplitude is closer to that of the fundamental signal. Zero stuffing can be an especially useful technique in the synthesis of IF signals.

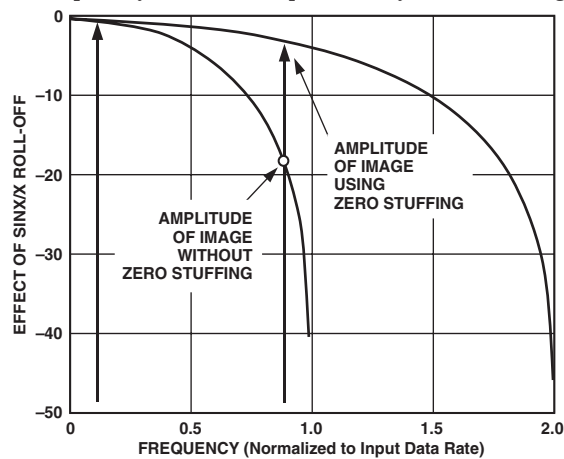


Figure 33. Effects of Pseudo Zero Stuffing on Spectrum of AD9755

### EVALUATION BOARD

The AD9755-EB is an evaluation board for the AD9755 TxDAC. Careful attention to layout and circuit design, combined with prototyping area, allows the user to easily and effectively evaluate the AD9755 in different modes of operation.

Referring to Figures 34 and 35, the AD9755's performance can be evaluated differentially or single-ended using either a transformer, or directly coupling the output. To evaluate the output differentially using the transformer, it is recommended

that either the Mini-Circuits T1-1T (through-hole) or the Coilcraft TTWB-1-B (SMT) be placed in the position of T1 on the evaluation board. To evaluate the output either single-ended or direct-coupled, remove the transformer and bridge either BL1 or BL2.

The digital data to the AD9755 comes from two ribbon cables that interface to the 40-lead IDC connectors P1 and P2. Proper termination or voltage scaling can be accomplished by installing the resistor pack networks RN1–RN12. RN1, R4, R7, and R10 are 22  $\Omega$  DIP resistor packs and should be installed as they help reduce the digital edge rates and therefore peak current on the inputs.

A single-ended clock can be applied via J3. By setting the SE/DIFF labeled jumpers J2, J3, J4, and J6, the input clock can be directed to the CLK+/CLK– inputs of the AD9755 in either a single-ended or differential manner. If a differentially applied clock is desired, a Mini-Circuits T1-1T transformer should be used in the position of T2. Note that with a single-ended square wave clock input, T2 must be removed. A clock can also be applied via the ribbon cable on Port 1 (P1), Pin 33. By inserting the EDGE jumper (JP1), this clock will be applied to the CLK+ input of the AD9755. JP3 should be set in its SE position in this application to bias CLK– to half the supply voltage.

The AD9755's PLL clock multiplier can be enabled by inserting JP7 in the IN position. As described in the Typical Performance Characteristics and Functional Description section, with the PLL enabled, a clock at half the output data rate should be applied as described in the last paragraph. The PLL takes care of the internal  $2\times$  frequency multiplication and all internal timing requirements. In this application, the PLLLOCK output indicates when lock is achieved on the PLL. With the PLL enabled, the DIV0 and DIV1 jumpers (JP8 and JP9) provide the PLL divider ratio as described in Table I.

The PLL is disabled when JP7 is in the EX setting. In this mode, a clock at the speed of the output data rate must be applied to the clock inputs. Internally, the clock is divided by 2. For data synchronization, a  $1\times$  clock is provided on the PLLLOCK pin in this application. Care should be taken to read the timing requirements described earlier in the data sheet for optimum performance. With the PLL disabled, the DIV0 and DIV1 jumpers define the mode (interleaved, noninterleaved) as described in Table II.



# AD9755

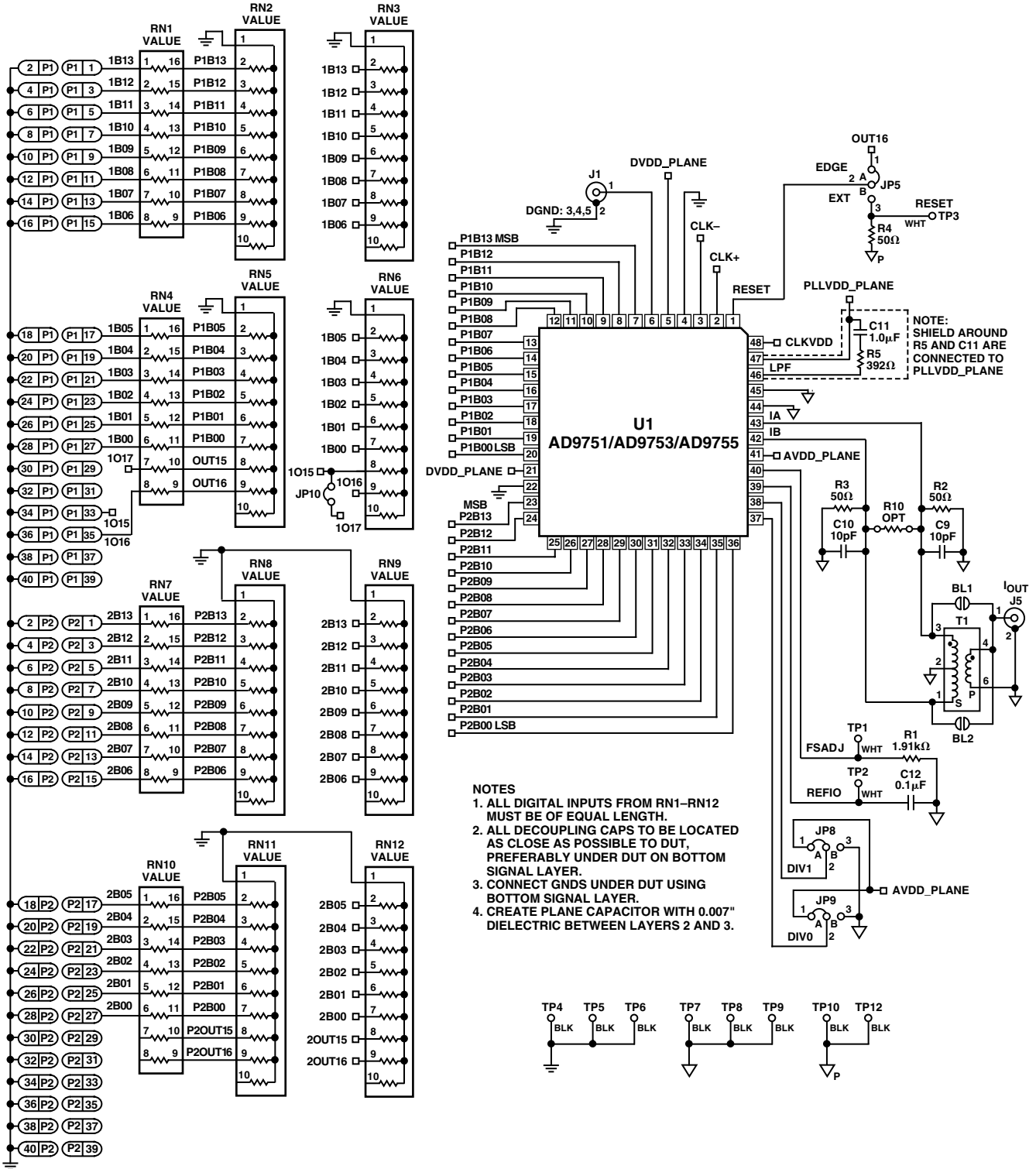


Figure 34. Evaluation Board Circuitry

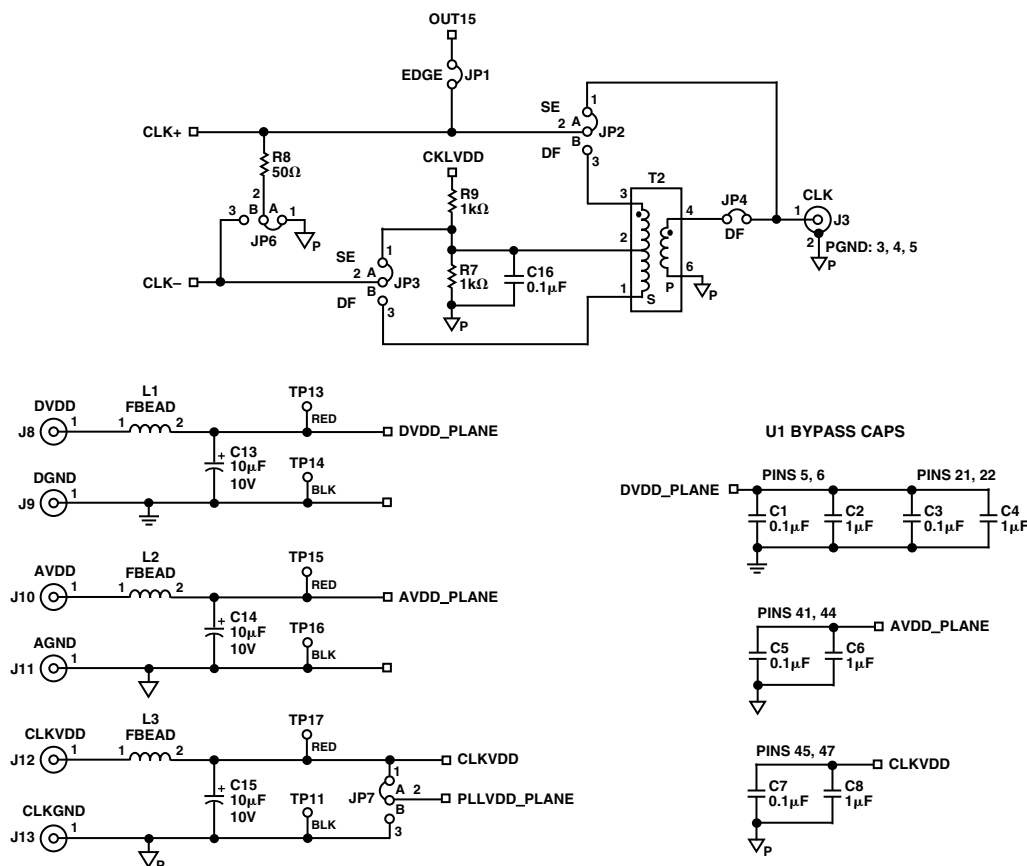


Figure 35. Evaluation Board Clock Circuitry

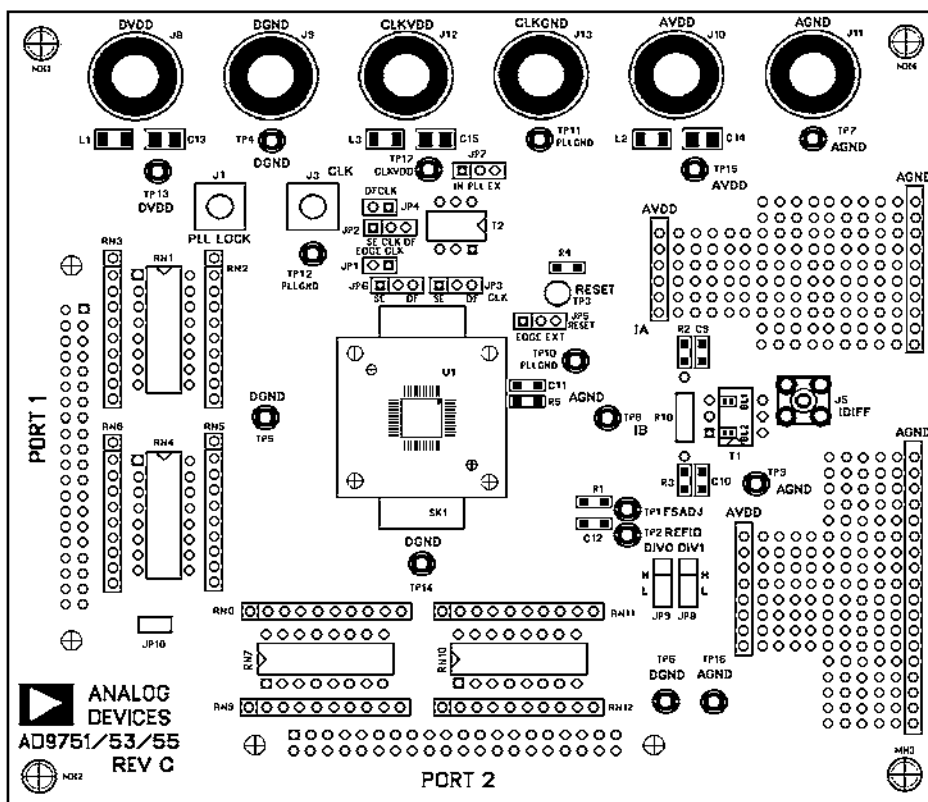


Figure 36. Evaluation Board, Assembly—Top

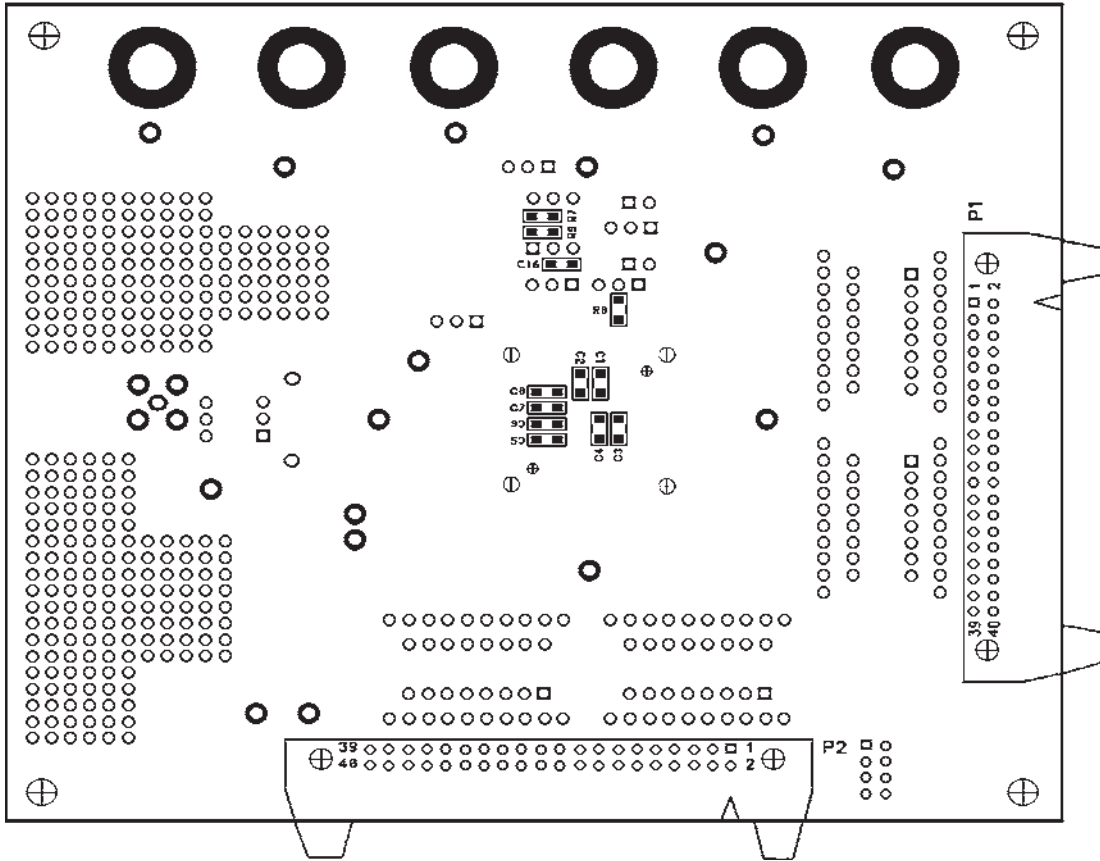


Figure 37. Evaluation Board, Assembly—Bottom

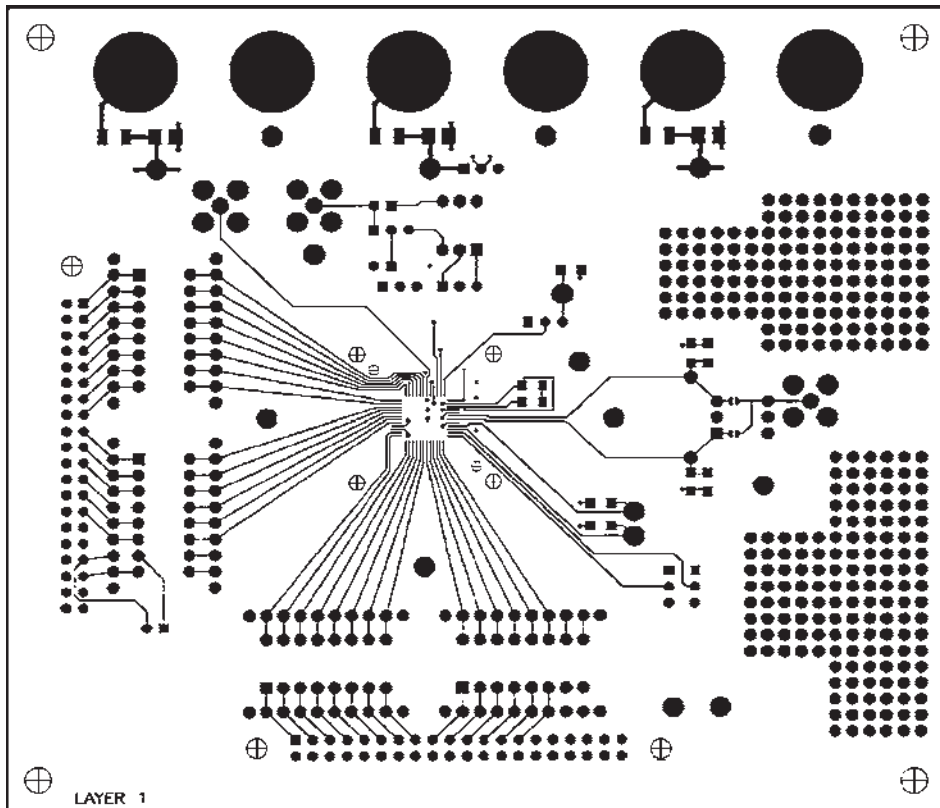


Figure 38. Evaluation Board—Top Layer



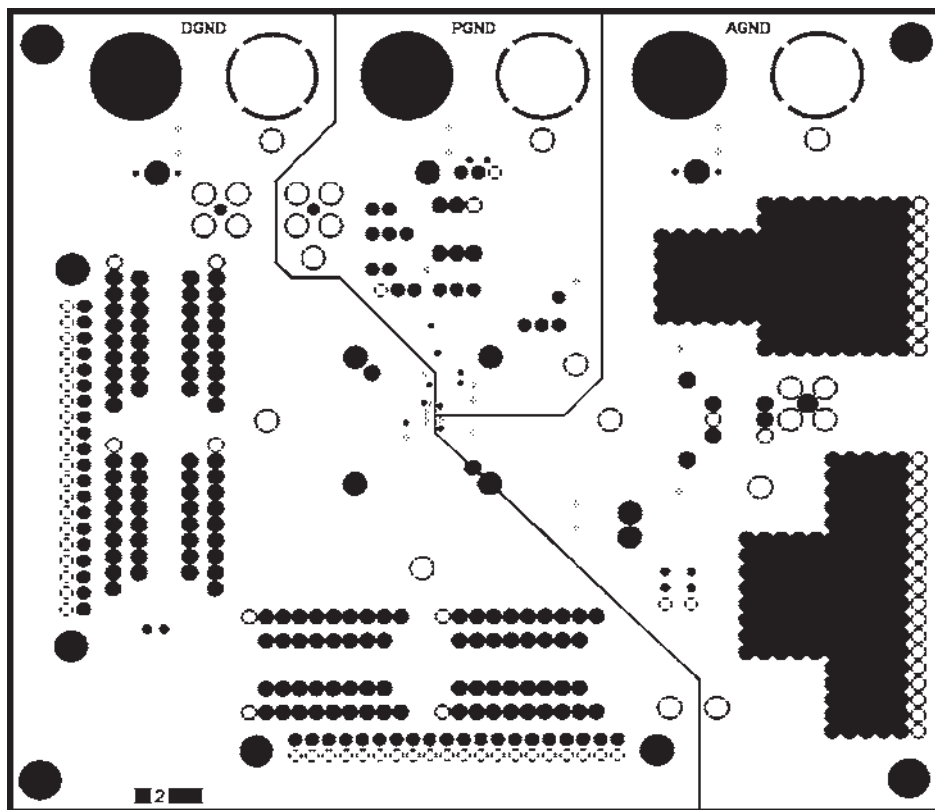


Figure 39. Evaluation Board, Layer 2, Ground Plane

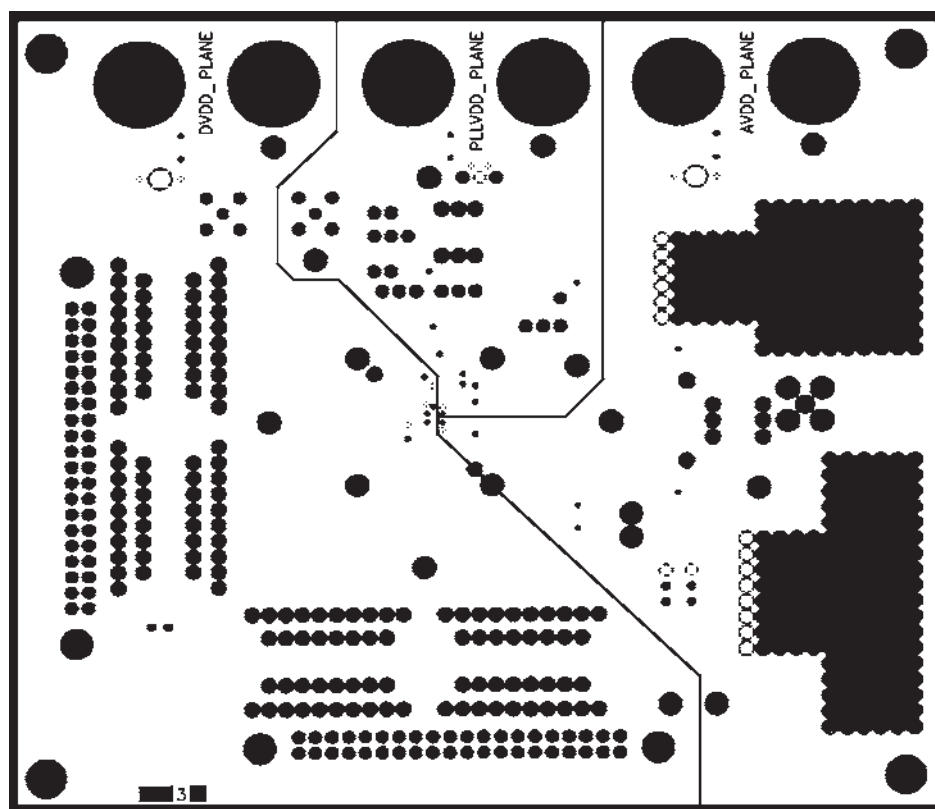


Figure 40. Evaluation Board, Layer 3, Power Plane

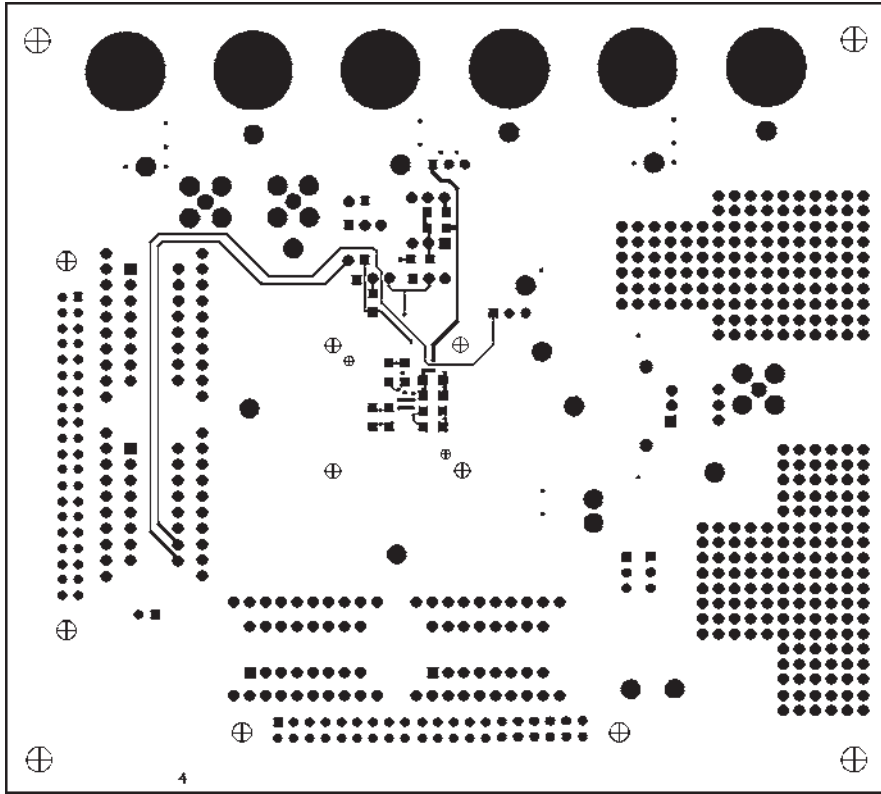
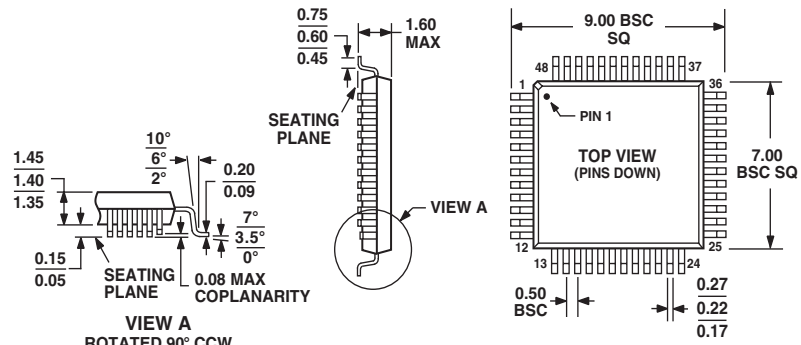


Figure 41. Evaluation Board, Bottom Layer

OUTLINE DIMENSIONS

48-Lead Low Profile Quad Flat Package [LQFP]  
(ST-48)

Dimensions shown in millimeters



COMPLIANT TO JEDEC STANDARDS MS-026BBC

# AD9755

## Revision History

Location	Page
<b>6/03—Data Sheet changed from REV. A to REV. B.</b>	
Changes to PRODUCT DESCRIPTION	1
Changes to PRODUCT HIGHLIGHTS	1
Changes to DIGITAL SPECIFICATIONS	4
Changes to ABSOLUTE MAXIMUM RATINGS	5
Updated ORDERING GUIDE	5
Changes to Figure 2	7
Changes to FUNCTIONAL DESCRIPTION section	10
Changes to Figure 3	10
Changes to Figure 6	11
Changes to Figure 9	12
Changes to DIGITAL INPUTS section	14
Changes to Figure 30	20
Changes to Figure 34	22
<b>1/03—Data Sheet changed from REV. 0 to REV. A.</b>	
Changes to DIGITAL SPECIFICATIONS	4
Changes to Figure 1	5
Changes to Figure 2	7
Changes to Figure 11	13
Updated OUTLINE DIMENSIONS	27

C02252-0-6/03(B)