

4

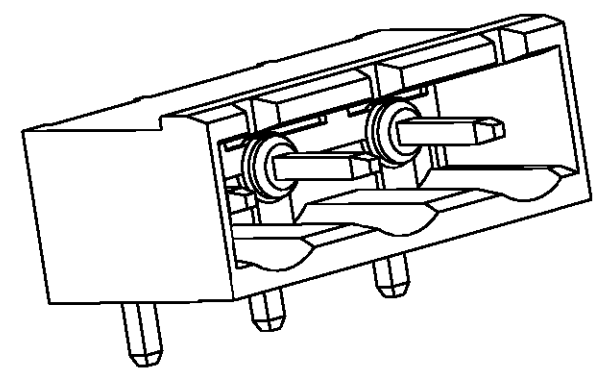
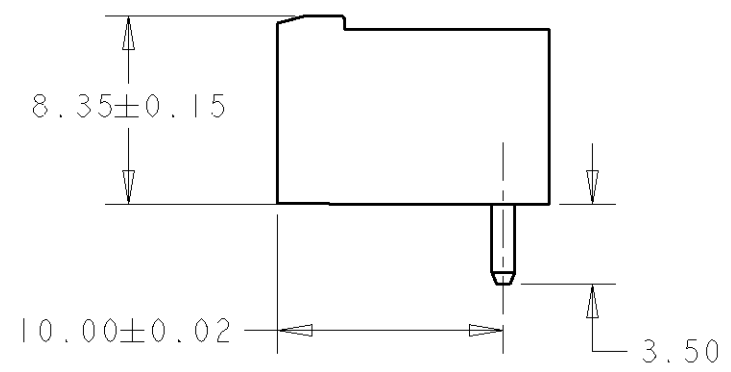
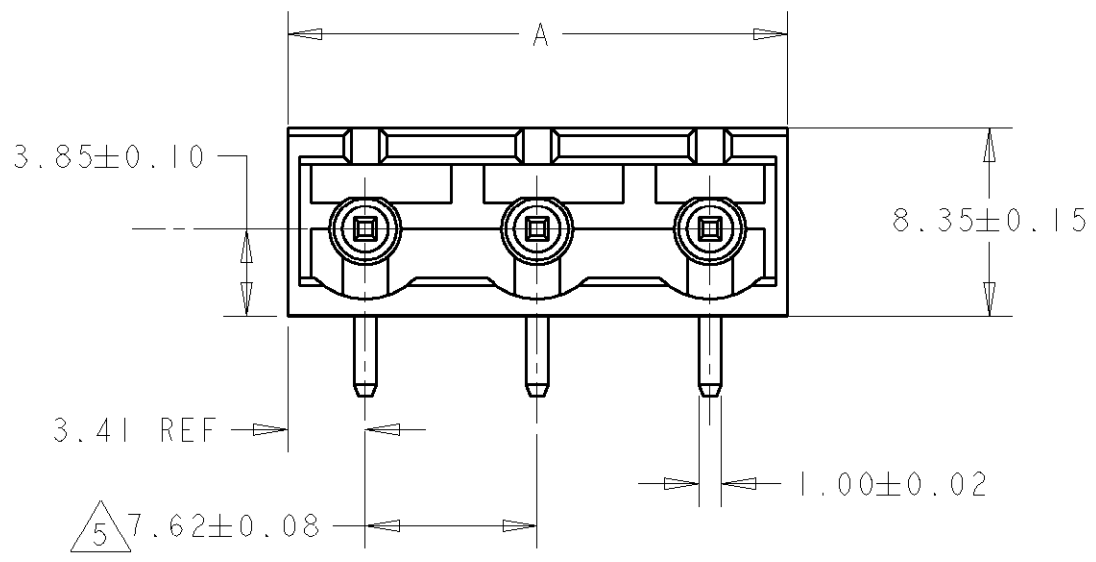
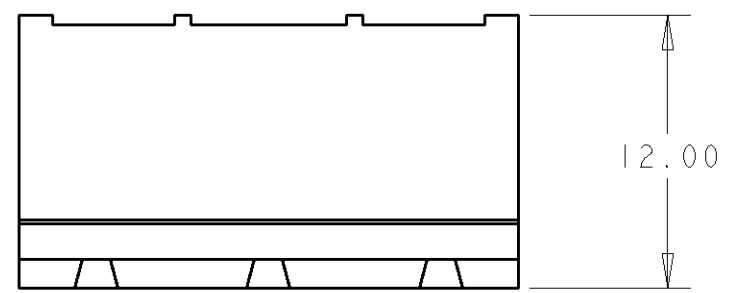
3

2

1

THIS DRAWING IS UNPUBLISHED. RELEASED FOR PUBLICATION 20
 © COPYRIGHT 20 BY TYCO ELECTRONICS CORPORATION. ALL RIGHTS RESERVED.

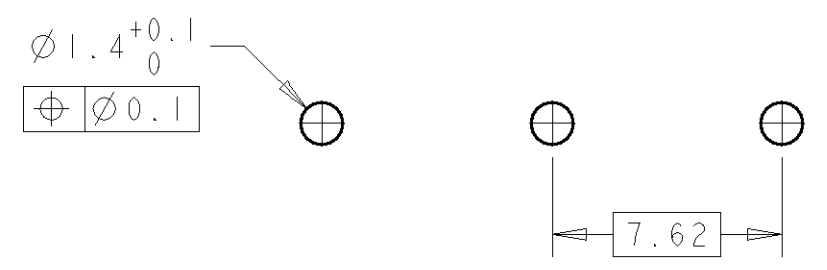
LOC	DIST	REVISIONS			
P	LTR	DESCRIPTION	DATE	DWN	APVD
	C	REVISED PER 0G3B-0119-01	18JUL2001	EZ	DB
	D	REVISED PER 0G3B-0567-01	08FEB2002	EZ	DB



282966-3 AS SHOWN

- 1 MATERIALS AND FINISH
HOUSING: PA 6-6, UL 94-V0, COLOR GREEN.
TERMINAL: PHOSPHOR BRONZE, TIN PLATED.
- 2 SUITABLE FOR 1,6-2,4mm PC BOARD THICKNESS.
- 3 RECOGNIZED UNDER THE COMPONENT PROGRAM OF UNDERWRITERS LABORATORIES INC., FILE N° E60677.
- 4 IMQ CERTIFICATE WITH SURVEILLANCE IN CONFORMITY WITH IEC 998-1/998-2-1.
- 5 NOT CUMULATIVE TOLERANCE.
- 6 30 MICRO INCH GOLD PLATING MATING AREA OF PIN

6	60.16	8	3-282966-8
6	44.92	6	3-282966-6
	90.64	12	1-282966-2
	83.02	11	1-282966-1
	75.40	10	1-282966-0
	67.78	9	282966-9
	60.16	8	282966-8
	52.54	7	282966-7
	44.92	6	282966-6
	37.30	5	282966-5
	29.68	4	282966-4
	22.06	3	282966-3
	14.44	2	282966-2
DIM. A	N° OF POS.	PART NUMBER	



RECOMMENDED PC BOARD LAYOUT

<small>THIS DRAWING IS A CONTROLLED DOCUMENT FOR TYCO ELECTRONICS CORPORATION IT IS SUBJECT TO CHANGE AND THE CONTROLLING ENGINEERING ORGANIZATION SHOULD BE CONTACTED FOR THE LATEST REVISION.</small>		DWN 18JUL2001 E. ZANOLINI CHK 18JUL2001 D. BIEVENOUR APVD 18JUL2001 D. BIEVENOUR	BUCHANAN Tyco Electronics Harrisburg, PA 17105-3608
DIMENSIONS: mm	TOLERANCES UNLESS OTHERWISE SPECIFIED: 0 PLC ± 1 PLC ±0.2 2 PLC ±0.25 3 PLC ± 4 PLC ± ANGLES ±2	PRODUCT SPEC 108-20166 APPLICATION SPEC 114-20079 WEIGHT -	NAME TERMINAL BLOCK HEADER ASSEMBLY 90° CLOSED ENDS 7.62 mm PITCH
MATERIAL	FINISH	SIZE A3 CAGE CODE 00779 DRAWING NO C=282966	RESTRICTED TO -
CUSTOMER DRAWING		SCALE NTS SHEET 1 OF 1 REV D	